

Document Shredders  
Modular conveyor belt system

GB Operating Instructions

IDEAL 5009-2 CC  
IDEAL 5009-3 CC



**IDEAL 5009-2; IDEAL 5009-3**



- D** Bitte lesen Sie vor Inbetriebnahme der Maschine unbedingt diese Betriebsanleitung und beachten Sie die Sicherheitshinweise. Die Betriebsanleitung muss jederzeit verfügbar sein.
- GB** Please read these operating instructions before putting the machine into operation and observe the safety precautions. The operating instructions must always be available.
- F** Nous vous prions de lire attentivement le mode d'emploi avant d'utiliser la machine, et attirons votre attention sur les consignes de sécurité. Les instructions d'utilisation et les consignes de sécurité doivent toujours être disponibles.
- NL** Leest u voor de ingebruik name van het apparaat a.u.b. deze gebruiksaanwijzing goed door en neemt u de veiligheidsinstructies in acht. De gebruiksaanwijzing en de veiligheids-voorschriften moeten altijd binnen handbereik zijn.
- I** Per favore legga questo manuale di istruzione prima di mettere in funzione il distruggidocumenti e osservi le regole di sicurezza. Le istruzioni d'uso devono essere sempre disponibili.
- E** Le recomendamos lea las instrucciones antes de poner en funcionamiento esta máquina y cumpla las normas de seguridad. Las instrucciones de servicio y seguridad deben estar siempre disponibles.
- S** Läs igenom denna bruksanvisning innan ni startar maskinen. Var noga med säkerhetsföreskrifterna! Instruktionsmanualen måste alltid finnas tillgänglig.
- FIN** Lue nämä käyttö-ohjeet läpi ennenkuin käynnistät laitteen. Noudata turvaohjeita! Käyttöohjeiden on oltava aina saatavilla.
- N** Lees gjennom denne bruksanvisningen før De tar i bruk maskinen Vær oppmerksom på sikkerhetsforskriftene. Operatørmanualen må alltid være tilgjengelig.
- PL** Proszę uważnie przeczytać instrukcję obsługi przed uruchomieniem urządzenia i stosować się do przepisów bezpieczeństwa. Instrukcje obsługi muszą być zawsze dostępne.
- RUS** Пожалуйста, прочитайте инструкцию по эксплуатации перед установкой аппарата, соблюдайте технику безопасности. Инструкция по эксплуатации должна находиться в доступном для пользователя месте.
- H** A gép üzembe helyezése előtt figyelmesen olvassa el a kezelési utasítást és tartsa be a biztonsági előírásokat. Kezelési utasításnak mindig elérhetőnek kell lennie.
- TR** Lütfen makineyi çalıştırmadan önce bu kullanma talimatlarını dikkatli bir şekilde okuyunuz ve belirtilen güvenlik önlemlerine uyunuz. Kullanma Talimatları her zaman kullanıma hazır olmalıdır.
- DK** Før installation af maskinen bedes De venligst læse brugervejledningen og være opmærksom på sikkerhedsanvisningerne. Brugervejledningen skal altid være tilgængelig.
- CZ** Prosím precetete si instrukce k obsluze a dodržujte bezpečnostní upozornění. Návod k obsluze musí být vždy dostupný.
- P** Por favor leiam o manual de instruções antes de colocar a máquina em operação e veja as precauções de segurança. As instruções de operação deverão estar sempre disponíveis.
- GR** ΠΑΡΑΚΑΛΩ ΔΙΑΒΑΣΤΕ ΤΙΣ ΟΔΗΓΙΕΣ ΧΡΗΣΕΩΣ ΚΑΙ ΤΙΣ ΠΡΟΦΥΛΑΞΕΙΣ ΑΣΦΑΛΕΙΑΣ ΠΡΙΝ ΒΑΛΕΤΕ ΤΟ ΜΗΧΑΝΗΜΑ ΣΕ ΛΕΙΤΟΥΡΓΙΑ. ΟΙ ΟΔΗΓΙΕΣ ΧΡΗΣΗΣ ΠΡΕΠΕΙ ΝΑ ΕΙΝΑΙ ΠΑΝΤΑ ΔΙΑΘΕΣΙΜΕΣ.
- SLO** Prosimo preberite navodila za uporabo ter upoštevajte varnostna opozorila preden zaženete napravo. Navodila naj bodo vedno pri roki.
- SK** Starostlivo si preštudujte tento návod na obsluhu pred uvedením stroja do prevádzky a najmä bezpečnostné predpisy. Držte tento návod na obsluhu na dostupnom mieste.
- EST** Palun lugege enne masina käivitamist käesolevat kasutusjuhendit ning järgige ohutusnõudeid. Kasutusjuhend peab alati käepärast olema.
- CHI** 使用機器前,請閱讀此操作指引,並留意安全守則,操作手冊必须是经常可用的。
- UAE** والإمان والوقاية تعليمات ملاحظة نرجوا كما الماكينة بتشغيل البدء قبل التشغيل تعليمات قراءة نرجوا لا بد من وجود تعليمات التشغيل دائما



- D** Keine Bedienung durch Kinder!  
**GB** Children must not operate the machine!  
**F** Pas d'utilisation par un enfant!  
**NL** Geen bediening door kinderen!  
**I** Non lasciare utilizzare il tagliacarte a bambini!  
**E** ¡No dejar que la utilicen los niños!  
**S** Installera maskinen utom räckhåll för barn!  
**FIN** Asentakaa laite lasten ulottumattomiin!  
**N** Installer maskinen utenfor rekkevidde for barn!  
**PL** Dzieciom nie wolno obsługiwać urządzenia!  
**RUS** Не допускайте детей к пользованию аппаратом!  
**H** Gyerekek a gépet nem kezelhetik!  
**TR** Makinayı Çocuklar Kullanmamalıdır!  
**DK** Må kun betjenes af voksne!  
**CZ** Stroj nesmí být obsluhován dětmi!  
**P** As crianças não devem trabalhar com a máquina!  
**GR** ΑΠΑΓΟΡΕΥΕΤΑΙ Η ΧΡΗΣΗ ΑΠΟ ΠΑΙΔΙΑ!  
**SLO** Otroci ne smejo uporabljati naprave!  
**SK** So strojom nesmú pracovať deti!  
**EST** Lapsed ei tohi masinat kasutada!  
**CHI** 勿让儿童使用机器!  
**UAE** يجب على الأطفال عدم تشغيل الماكينة.



- D** Nicht in das Schneidwerk greifen!  
**GB** Do not reach into the feed-opening of the cutting head!  
**F** Ne pas introduire les mains dans le bloc de coupe!  
**NL** Blijf buiten het bereik van de invoeropening!  
**I** Non toccare il meccanismo di taglio (apertura di alimentazione)!  
**E** ¡No introducir la mano en la abertura de alimentación del cabezal de corte!  
**S** Använd inte fingrarna i öppningen till skärverket!  
**FIN** Älkää työntäkö sormia teräpakkaan!  
**N** Bruk ikke fingrene i åpningen til skjæreverket!  
**PL** Nie wkładać ręk pomiędzy głowicę tnącą!  
**RUS** Не допускайте попадания рук в приемное отверстие режущей головки!  
**H** Ne nyúljon a vágószerkezetbe!  
**TR** Lütfen kesici kafaların çekme sürme ağızlarına dokunmayınız!  
**DK** Hold fingere væk fra åbningen til skæreværket!  
**CZ** Nesahejte do vstupní šterbiny a nedotýkejte se řezacího mechanismu!  
**P** Não mexer dentro da abertura de alimentação da cabeça de orte!  
**GR** ΜΗΝ ΑΓΓΙΖΕΤΕ ΤΟΥΣ ΚΥΛΙΝΔΡΟΥΣ ΚΟΠΗΣ!  
**SLO** Ne vtikajte prstov v odprtino rezalne glave!  
**SK** Nezasahujte rukami do priestoru medzi nožmi v rezacej hlave!  
**EST** Ärge pange kätt lõikepea sõduavasse!  
**CHI** 机器操作时，切勿接触刀头入口！  
**UAE** لا يجب الوصول أبدا إلى فتحة التغذية الخاصة برأس القطع.

IDEAL 5009-2; IDEAL 5009-3



- D** Vorsicht bei Schmuck!  
**GB** Be careful of loose jewellery!  
**F** Attention au port de bijoux!  
**NL** Let op met halskettingen en andere juwelen!  
**I** Attenzione ai gioielli!  
**E** ¡Tener cuidado con las joyas!  
**S** Var aktsam med löst hängande smycken!  
**FIN** Varokaa korujen joutumista teräpakkaan!  
**N** Vær forsiktig med løsthengende smykker!  
**PL** Ostrożnie z biżuterią!  
**RUS** Будьте осторожны с длинными свисающими украшениями!  
**H** Vigyázzon az ékszerekkel!  
**TR** Mücevherlerinizin uzun parçalarına dikkat ediniz!  
**DK** Undgå løse smykker i nærheden af skæreværket!  
**CZ** Pozor na volné šperky!  
**P** Cuidado com os colares!  
**GR** ΚΙΝΔΥΝΟΣ ΤΡΑΥΜΑΤΙΣΜΟΥ!  
**SLO** Pazite da nakit ne pade med rezalne nože!  
**SK** Dajte pozor, aby sa dorezacej hlavy nedostali retiazky a podobné visiace predmety!  
**EST** Olge ettevaatlik liikuvate eheteaga!  
**CHI** 注意所佩带饰物!  
**UAE** ينبغي توخي منتهى الحذر عند وجود سلاسل المجوهرات المتدلية و غيرها.

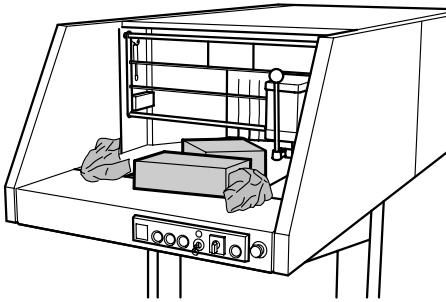


- D** Vorsicht bei Krawatten und langen Kleidungsstücken!  
**GB** Take care of ties and other loose pieces of clothing!  
**F** Attention au port de cravattes et autres vêtements flottants!  
**NL** Let op met stropdassen en andere losse kledingdelen!  
**I** Attention alle cravatte e altre parti sporgenti di stoffa!  
**E** ¡Tener cuidado con las corbatas y todo tipo de prendas sueltas!  
**S** Var aktsam med slipsar och andra lösa delar av klädsen!  
**FIN** Varokaa solmiotanne ja muita pitkiä vaatekappaleitann zun giysi uzantýlarýna dikkat ediniz!  
**N** Vær forsiktig med slips og løse klesplagg!  
**PL** Uwagać na krawaty i inne luźne części garderoby!  
**RUS** Остерегайтесь попадания галстука и других частей одежды!  
**H** Vigyázzon a nyakkendore és logó ruházatra!  
**TR** Lütfen Gravatt ve uzun giysi uzantılarını dikkat ediniz!  
**DK** Undgå løse eller hængene klæder inærheden af skæreværket  
**CZ** Pozor na kravaty a volné součásti oděvu!  
**P** Cuidado com as gravatas ou outro tipo de roupa solta!  
**GR** ΓΡΑΒΑΤΕΣ, ΚΡΕΜΑΣΤΑ ΡΟΥΧΑ ΚΑΙ ΚΟΣΜΗΜΑΤΑ!  
**SLO** Pazite na kravato ali druge dele obleke, da ne pridejo med rezalne nože!  
**SK** Dajte pozor, aby sa do rezacej hlavy nedostali kravaty resp. dlhé visiace predmety!  
**EST** Olge ettevaatlik lipsude ja muude lahtiste riideesemetega!  
**CHI** 小心领带和其它宽松衣物!  
**UAE** ينبغي توخي منتهى الحذر عند وجود أربطة العنق أو غيرها من قطع الملابس المتدلية.

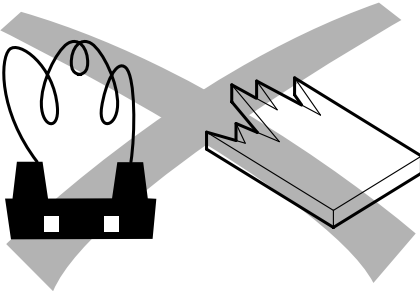


- D** Vorsicht bei langen Haaren!  
**GB** Long hair can become entangled in cutting head!  
**F** Attention aux cheveux longs!  
**NL** Pas op met lang haar!  
**I** Capelli lunghi possono entrare nella testa di taglio!  
**E** ¡Tener cuidado con el cabello largo puede enredarse en el cabezal de corte!  
**S** Undvik långt hår i närheten av skärverket!  
**FIN** Varokaa pitkien hiusten joutumista teräpakkaan!  
**N** Vær forsiktig med langt hår i nærheten av skjæreverket!  
**PL** Uwaga na długie włosy!  
**RUS** Избегайте попадания длинных волос в механизм аппарата!  
**H** Vigyázzon a hosszú hajra!  
**TR** Uzun saçlara dikkat. Kesici kafalar tarafından içeri çekilebilir.  
**DK** Undgå langt hår i nærheden af skæreværket!  
**CZ** Dlouhé vlasy mohou být zachyceny a vtáženy do řezacího mechanismu!  
**P** O cabelo comprido pode ficar preso na cabeça de corte!  
**GR** ΚΡΑΤΕΙΣΤΕ ΜΑΚΡΙΑ ΑΠΟ ΤΗΝ ΕΙΣΟΔΟ ΤΡΟΦΟΔΟΣΙΑΣ!  
**SLO** Pazite da dolgi lasje ne pridejo med rezalne nože!  
**SK** Dajte pozor, aby sa do rezacej hlavy nedostali dlhé vlasy!  
**EST** Pikad juuksed võivad lõikepeasse kinni jääda!  
**CHI** 切勿让长头发接近刀头!  
**UAE** يجب الحذر من أن الماكينة قد تلتقط الشعر الطويل.

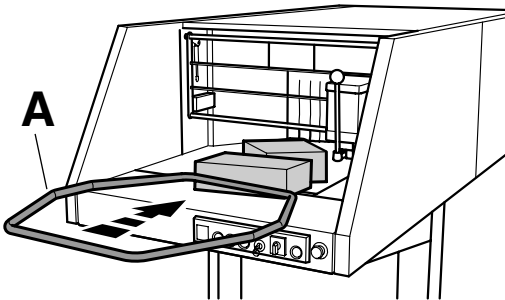
**IDEAL 5009-2; IDEAL 5009-3**



The machine is constructed to shred paper, flat or crumpled, as well as cardboard boxes including staples.

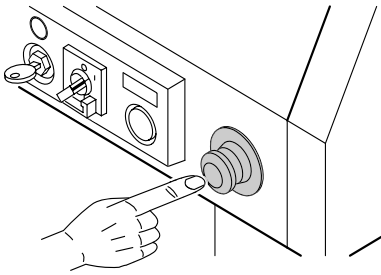


Do not shred any material which may loop or splinter.



Material not caught by the shredding mechanism must be pushed with the pusher (A).

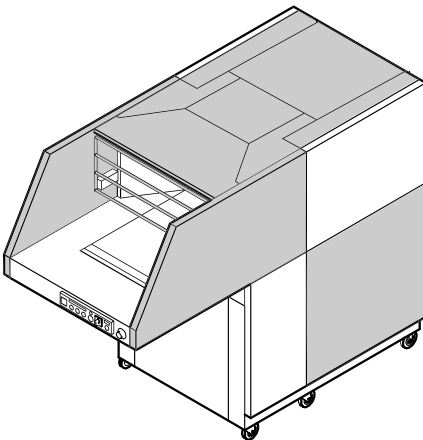
• Safety precautions •



Quick stop → Press emergency stop!

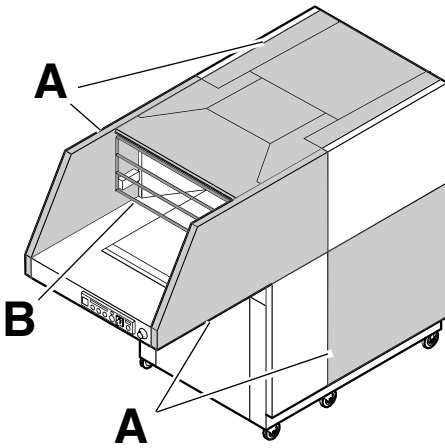


This machine is constructed for "one man operation" only!



All components which could endanger the operator are covered by a guard.

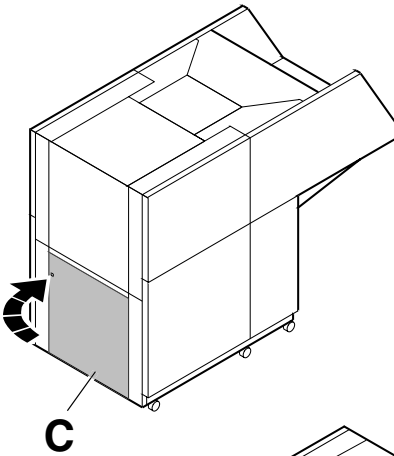
IDEAL 5009-2; IDEAL 5009-3



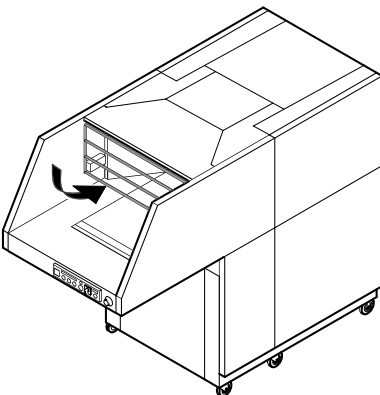
Do not operate the machine without the following safety devices:

- Panels (A) tightly screwed.
- Grid (B) and door (C) which are secured by switches.

Machine operates only when the door . . .



. . .and grid are closed.

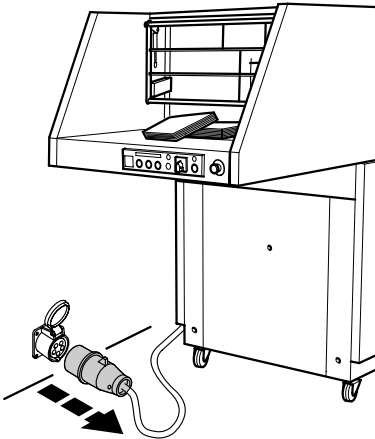




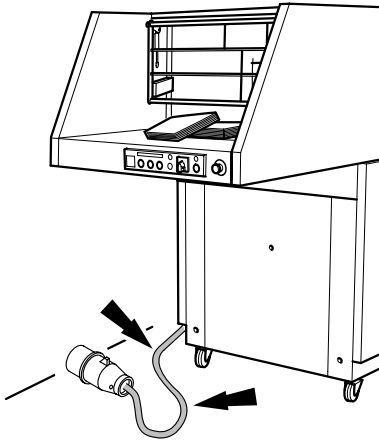
Do not use steps or anything similar.



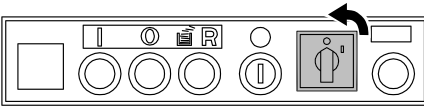
Remove the plug before cleaning the machine! Do not perform any repairs on the document shredder! (See page 28).



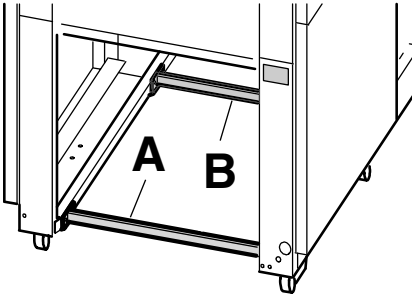
**IDEAL 5009-2; IDEAL 5009-3**



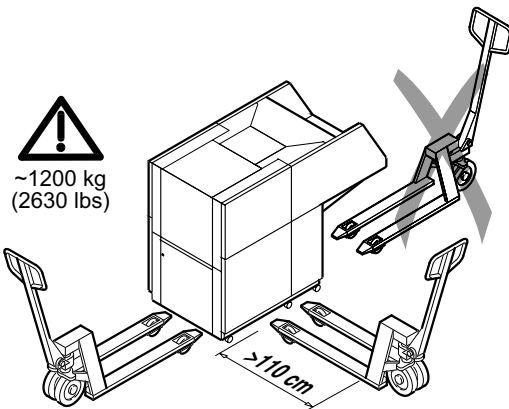
Protect mains cable against heat, oil and sharp edges!



When not in use for a longer time switch off the machine.



The transport safety device (A) and (B) must be mounted when the machine is transported lengthwise. The machine must be transported from the rear.

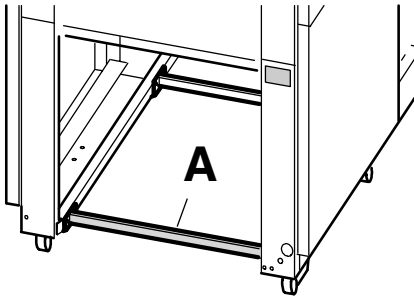


Make sure the pallet-jack is centred under the machine.

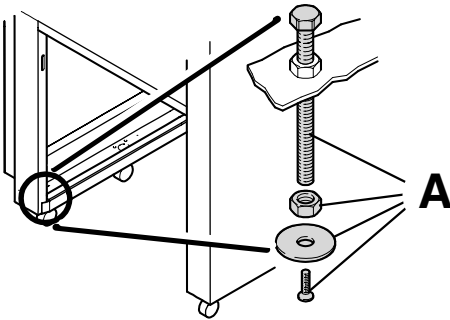
**Do not lift up the machine from the operating side.**

Do not lift the machine more than necessary  
→ risk of tipping.

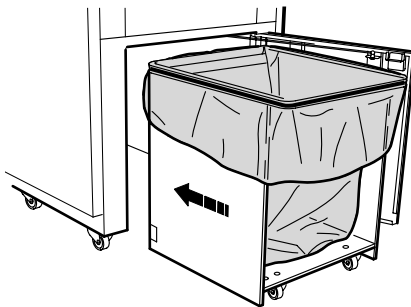




- Open the door.
- Remove the transport safety device (A) and keep for later use.



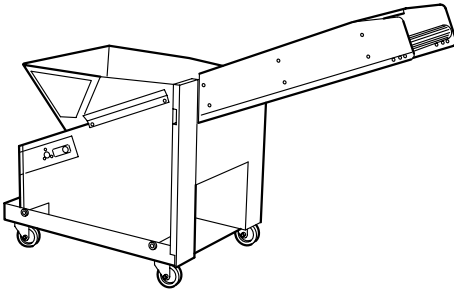
- Mount the supporting screws (A).
- Screw down the supporting screws until the rear castors are balanced.



### Waste cart

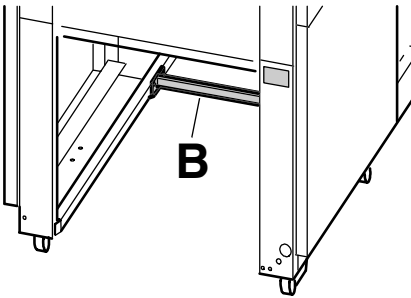
- Put the plastic bag into the waste cart as described under "replace bag". (See page 22)
- Push the cart into the machine, with the open side facing you, until it touches the buffer.
- Close the door.

IDEAL 5009-2; IDEAL 5009-3

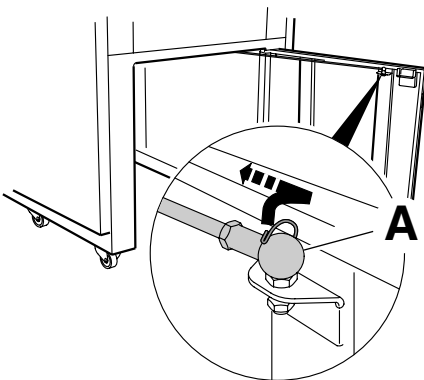


**Conveyor belt (Accessory)**

When using a conveyor belt the following modifications must be made on the machine:

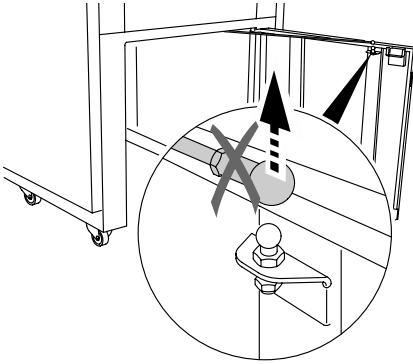


Remove the back transport safety device (**B**).

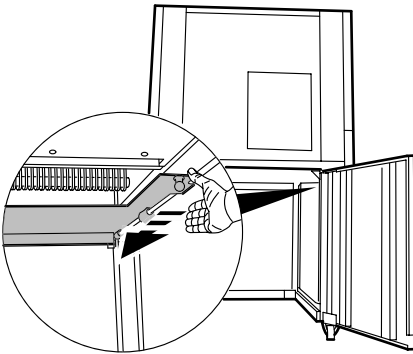


Remove the springs from the ball-ends (**A**) on both sides.

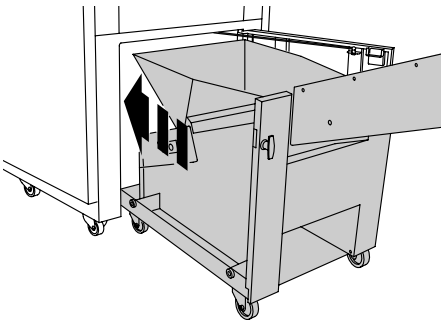
Dismount the tie-bar.



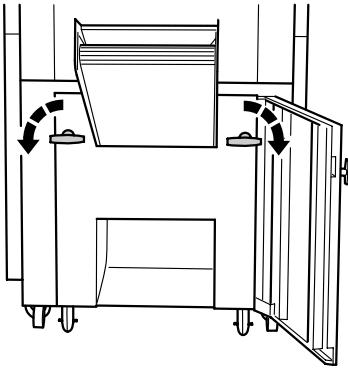
Push the pusher to the back.



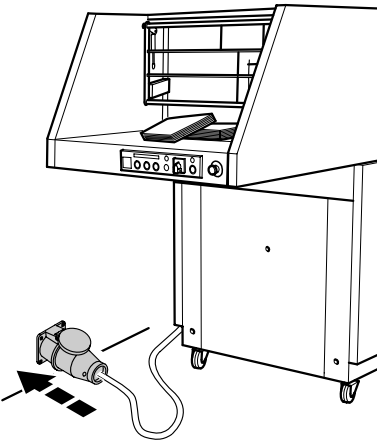
Push back the conveyor belt into the machine.



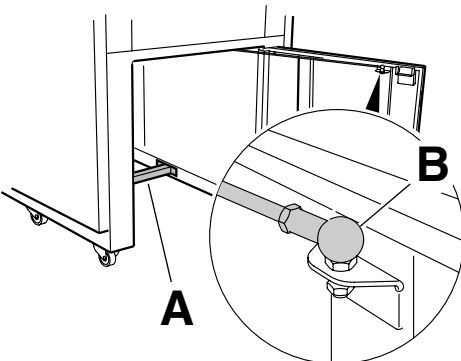
IDEAL 5009-2; IDEAL 5009-3



Turn both handles to lock.

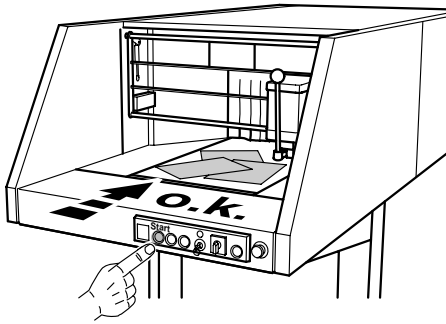


Plug into the wall socket.

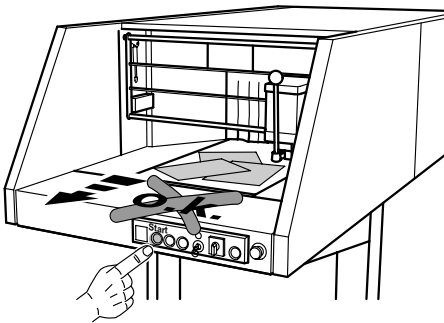


If the machine is to be operated with a waste cart the rear transport safety device (A) and tie-bar (B) must be re-assembled. To assemble follow the same instructions in the reverse order.



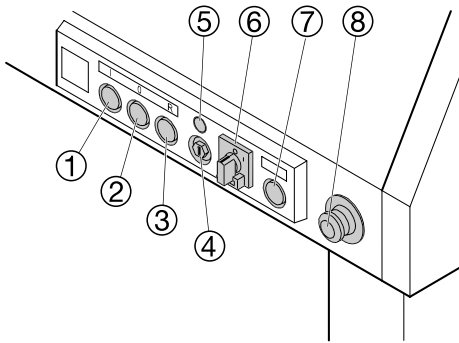


**Check the direction of the conveyor belt.  
Start the machine.**



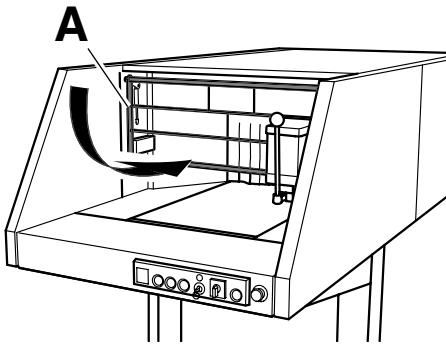
**Wrong rotating direction → Changes must be  
done by an electrician.**

IDEAL 5009-2; IDEAL 5009-3



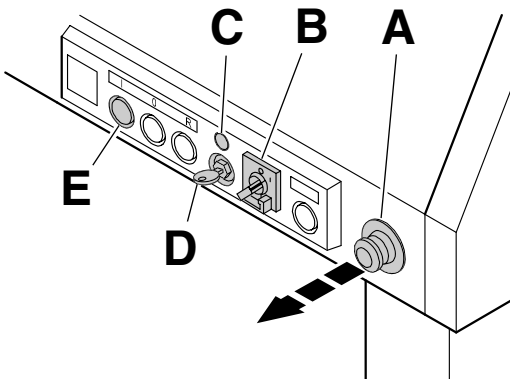
**Operating elements**

- ① - Start
- ② - Stop, light for "door open" and "grid open"
- ③ - Reverse switch, lamp showing "bag full"
- ④ - Key switch
- ⑤ - Standby
- ⑥ - Mains switch
- ⑦ - Temperature indicator / yellow pilot light
- ⑧ - Emergency-stop

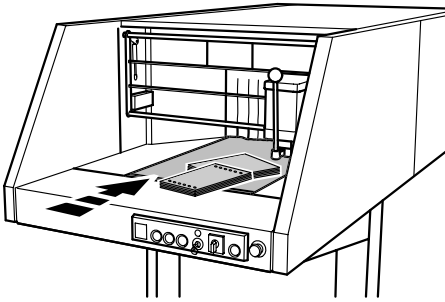


**Starting the machine**

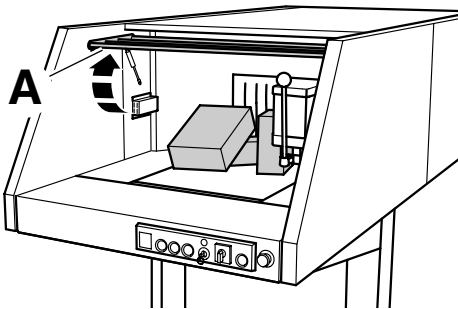
Grid (A) must be closed.



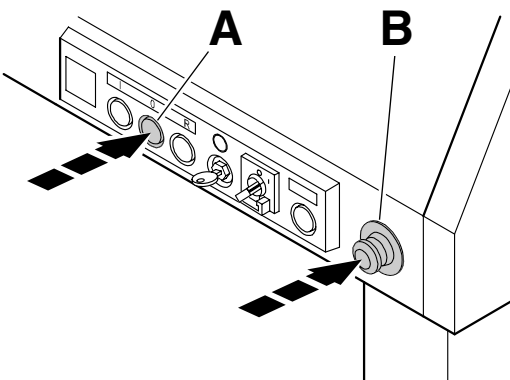
- Emergency-stop (A) pulled out.
- Main switch (B) to position "I".
- Turn key switch → standby (C) illuminates.
- Press the black button (E)  
→ conveyor belt is running.



Distribute the paper over the feeding belt.  
Shred continuous paper only in stacks.

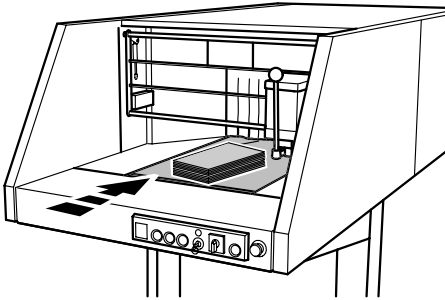


The grid (A) can be lifted to remove jammed paper.

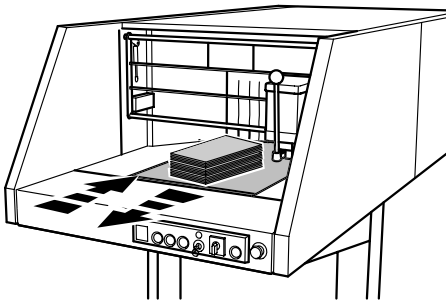


**Stopping the machine**  
Press the white button (A)  
or emergency-stop (B).  
**Keep hands away from running  
shredding mechanism.**

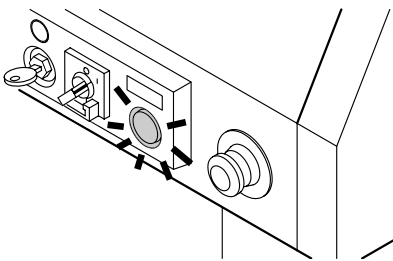
IDEAL 5009-2; IDEAL 5009-3



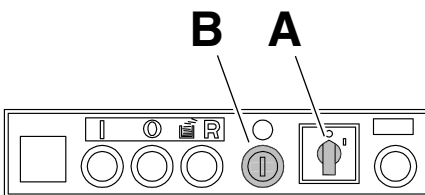
When large amounts of paper are inserted the machine automatically adjusts to a more powerful, slower capacity.



If this capacity is still not powerful enough the machine will reverse shortly and then return to "forwards mode". This is repeated until all material is completely destroyed.

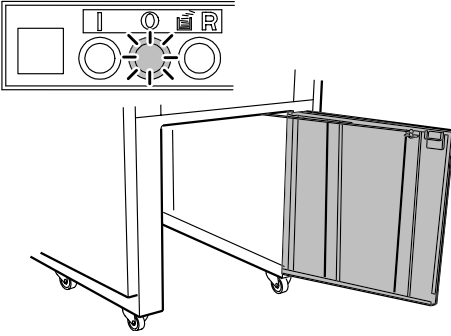


Yellow pilot light flashes. Motor is overheated → reduce the amount of material on the feeding belt. The machine should work preferably at high speed.

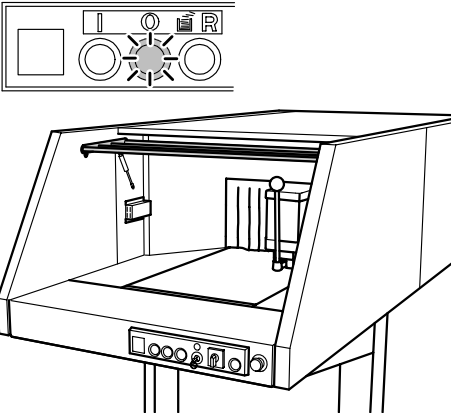


**Stopping the machine**

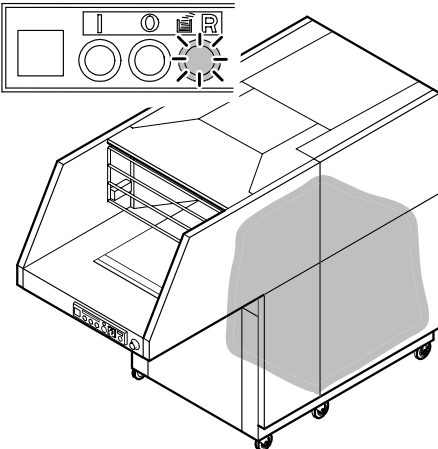
- Turn main switch (A) to position "0" → the entire machine shuts down.
- Turn the key switch (B) and remove the key → now the machine is secured from unauthorised use.



Stops automatically when door is opened.  
→ Indicator for (O) lights.

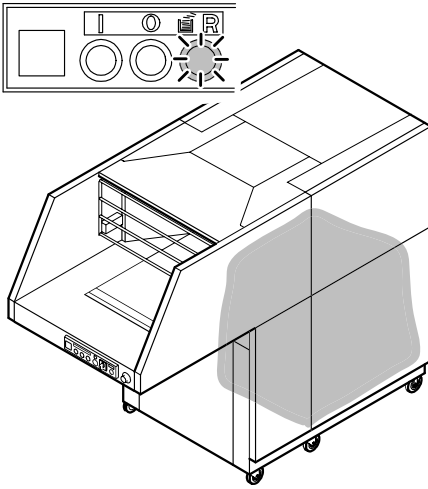


Stops automatically when grid is opened.  
→ Indicator for (O) lights.



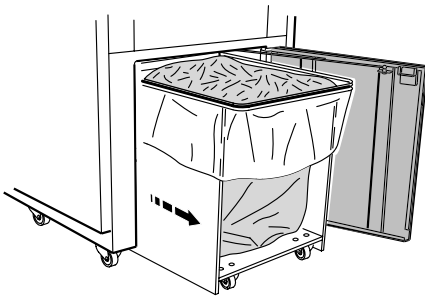
Stops automatically when plastic bag is full.  
→ Indicator for (R) lights.

IDEAL 5009-2; IDEAL 5009-3



**Replace bag.**

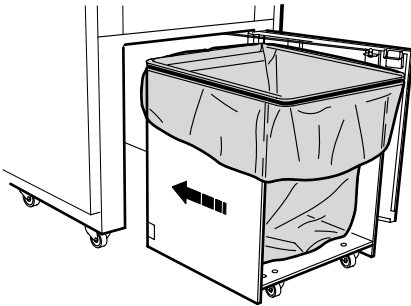
The "bag full" indicator lights.



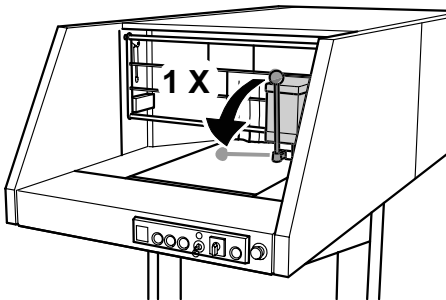
- Open the door.
- Pull out the waste cart.
- Pull the bag onto a pallet.



Fasten the bag. (For sealing parts and binding wires see accessories).



- Put a new bag into the bag frame.
- Fasten the bag with the round belt.
- Push the cart into the machine, with the open side facing you, until it touches the buffer.
- Close the door.
- Check the function of the door switch: Start the machine. → If the door is opened the machine must stop immediately.



## Maintenance

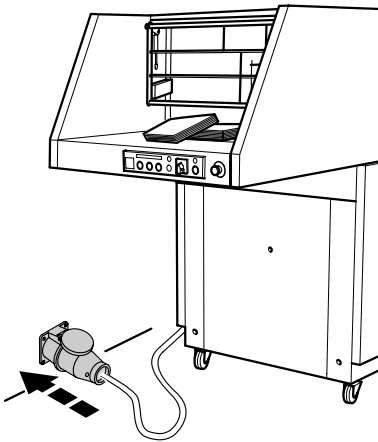
If the sheet capacity reduces or after the bag is emptied we recommend that you oil the shredding mechanism!

IDEAL 5009-2; IDEAL 5009-3

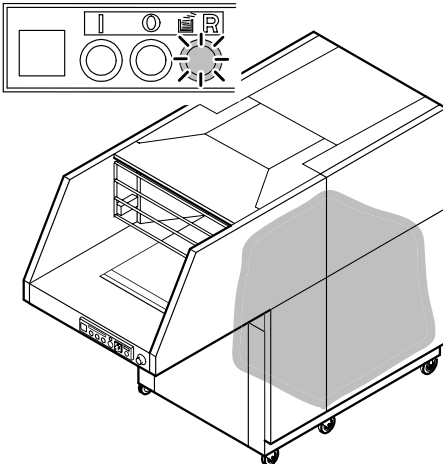
Machine will not start



Is the machine plugged in?

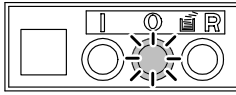


The "bag full" indicator lights. → Replace bag.

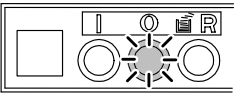
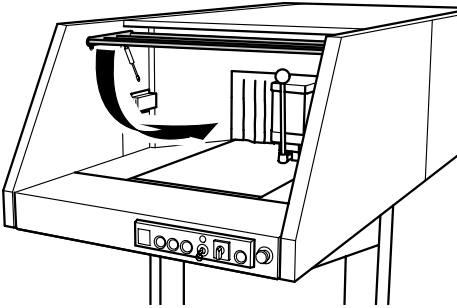




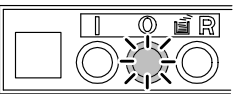
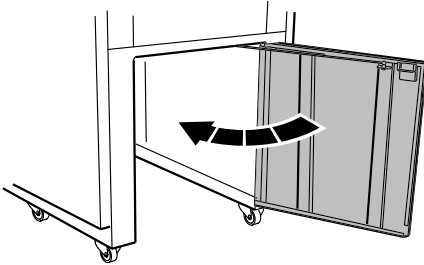
• Possible malfunctions •



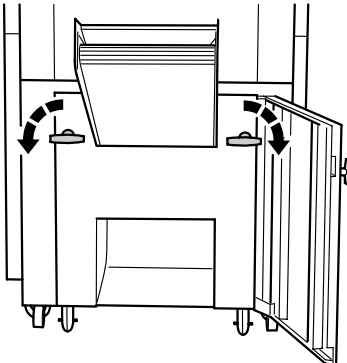
Is the Grid open? → Close it.



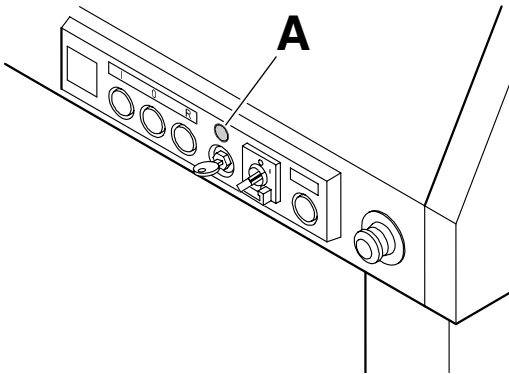
Is the door open? → Close it.



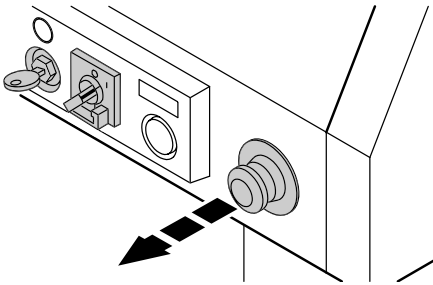
Conveyor belt (accessory) is not locked?  
→ Turn both handles to lock.



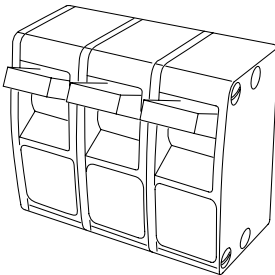
IDEAL 5009-2; IDEAL 5009-3



Standby (A) is not lighting up.

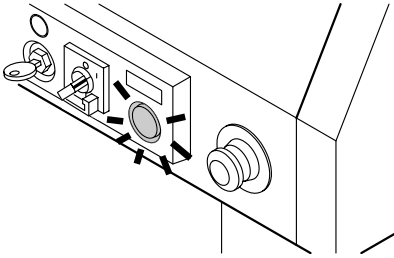


- Is the key-switch horizontal?
- Main switch is on "I",
- Emergency button is pulled out.
- Is the machine plugged in?



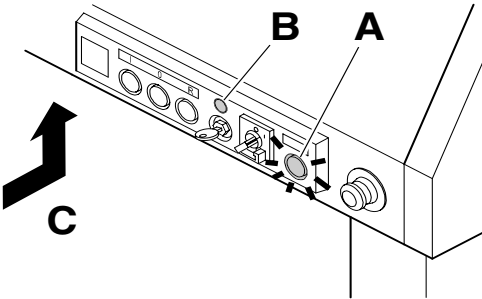
On-site fuse?

• Possible malfunctions •



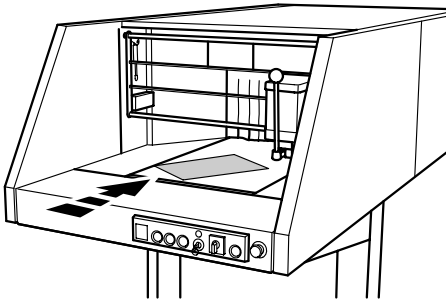
### Machine stops

Yellow pilot light illuminates. → Wait approx. 10 to 20 minutes for the machine to cool down. Start afresh.

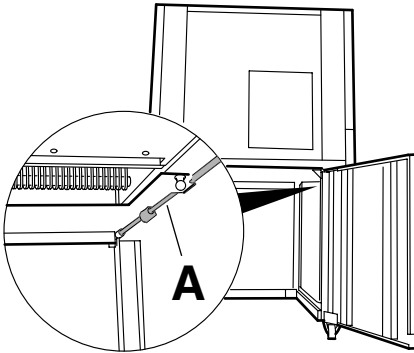


Yellow pilot light (A) illuminates, green light (B) is out → Conveyor belt is overloaded. Press the motor protection switch (C) after approx. 5 minutes.

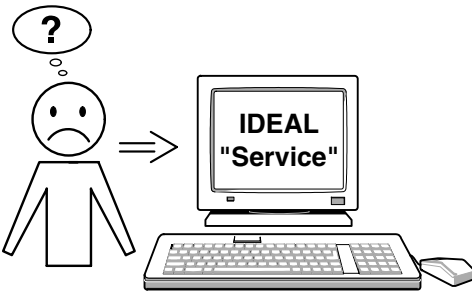
**IDEAL 5009-2; IDEAL 5009-3**



No performance? → An electrician must examine the phases.

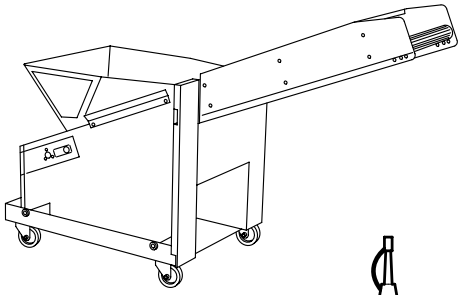


Machine door is difficult to open. → Clean and grease the guiding bar (A). Do not use grease or oil containing resin.



**None of the above mentioned methods helped to solve the problem:**

- Contact Service Team under
- [www.ideal.de](http://www.ideal.de) → "Service"
- [service@krug-priester.com](mailto:service@krug-priester.com).



### Recommended accessories

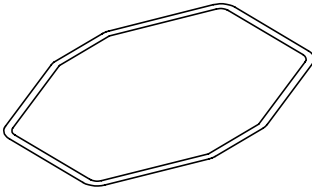
Module conveyor belt system  
(conveyor belt)

- 9000 595



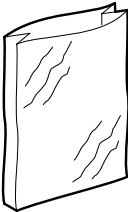
Environmentally friendly oil 10 x 0,2 l

- 9000 611



Pusher <sup>1</sup>

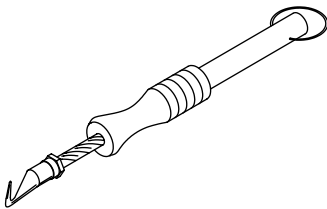
- 9000 593



Plastic bags 350l (5 pieces) <sup>1</sup>

Plastic bags 350l (50 pieces)

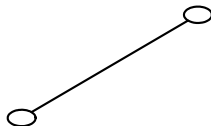
- 9000 414



For fastening plastic bags:

Wire twisting tool <sup>1</sup>

- 9000 591

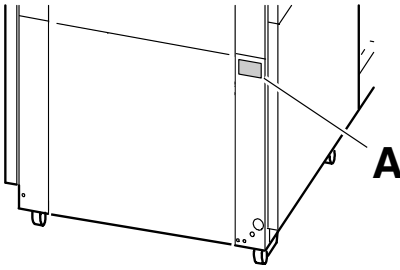


Wire ties (1000 pieces) <sup>1</sup>

- 9000 592

<sup>1</sup> Included in delivery.

**IDEAL 5009-2; IDEAL 5009-3**



Fuse protection on:

3~400 V 50/60 Hz with G32A (F32A)

3~230 V 50/60 Hz with G100A (F100A)

3~200 V 50/60 Hz with G100A (F100A)

Sound level EN 13023: 74 dB(A)

With conveyor belt system Sound level EN 13023:

in front of shredder: 77 dB(A)

by the conveyor belt system: 72 dB(A)

Minimal space requirement = approx.

W = 2,3 m x D = 4,2 m

Weight approx.

1200 kg

The exact technical specifications can be found on the technical specifications sticker (A) on the machine. To claim under guarantee, the machine must still carry its original identification label.

A wiring diagram is found in the electrical switch box.



Subject to alterations without notice.

**D EG-KONFORMITÄTSERKLÄRUNG**  
**GB EC-declaration of conformity**  
**F Déclaration de conformité CE**

- **Hiermit erklären wir, dass die Bauart von**
- Herewith we declare that
- Par la présente, nous déclarons que

**5009-2 CC; 5009-3 CC; GS-ID Nr. 11500902 UL-ID Nr. 10500902**

- **folgenden einschlägigen Bestimmungen entspricht**
- complies with the following provisions applying to it
- sont conformes aux dispositions pertinentes suivantes

**2006/42/EG**

Maschinenrichtlinie, EC Machinery directive, EC Directives machines

**2004/108/EG**

EMV Richtlinie, EMV Electromagnetic compatibility directive,  
EMV directives compatibilité électromagnétique

- **Angewendete harmonisierte Normen insbesondere**
- Applied harmonised standards in particular
- Normes harmonisées utilisées, notamment

**EN 60204-1; EN 55014-1; EN 55014-2; EN 61000-3-2; EN 61000-3-3;  
EN ISO 12100; EN ISO 13857; EN 13023; EN 13849-1**

13. 12. 2010  
Datum

Bevollmächtigter für technische Dokumentation  
Authorized representative for technical documentation  
Représentant autorisé pour la documentation technique

Krug & Priester GmbH u. Co KG  
Simon-Schweitzer-Str. 34  
D-72336 Balingen (Germany)



**Document Shredders**

**Trimmers and Guillotines**

