

KitchenAid

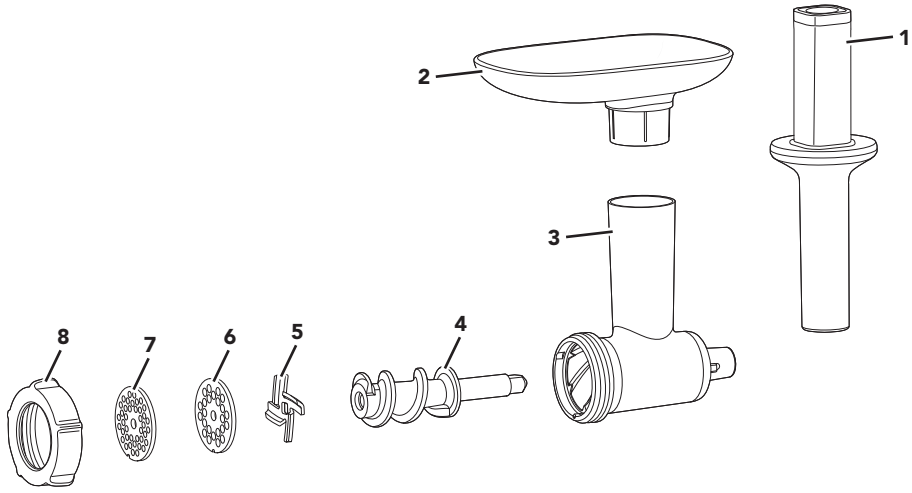
Food Grinder Attachment 5KSMFGA



EN	Use & Care manual	2	NO	Håndbok for bruk og vedlikehold	57
DE	Gebrauchs- und Pflegeanleitung	9	FI	Käyttö- ja huolto-opas	63
FR	Manuel d'utilisation et d'entretien	15	DA	Vejledning til anvendelse og vedligehold	69
IT	Manuale d'uso e manutenzione	21	IS	Notenda & Meðhöndlunar handbók	75
NL	Gebruiks- en onderhoudshandleiding	27	RU	Руководство по эксплуатации и уходу	81
ES	Manual de uso y cuidado	33	PL	Instrukcja obsługi i konserwacji	87
PT	Manual de utilização e manutenção	39	CS	Návod k použití a údržbě	93
EL	Εγχειρίδιο Χρήσης και Φροντίδας	45	TR	Kullanım ve Bakım kılavuzu	99
SV	Handbok för skötsel och användning	51	AR	دليل الاستخدام والعناية	1



PARTS AND FEATURES



- | | |
|-------------------|---------------------------------|
| 1. Food Pusher | 5. Blade |
| 2. Removable Tray | 6. Coarse (6 mm) Grinding Plate |
| 3. Main Housing | 7. Fine (4.5 mm) Grinding Plate |
| 4. Grind Screw | 8. Collar |





PRODUCT SAFETY

Your safety and the safety of others are very important.

We have provided many important safety messages in this manual and on your appliance. Always read and obey all safety messages.



This is the safety alert symbol.

This symbol alerts you to potential hazards that can kill or hurt you and others.

All safety messages will follow the safety alert symbol and either the word "DANGER" or "WARNING." These words mean:

 **DANGER**

You can be killed or seriously injured if you don't immediately follow instructions.

 **WARNING**

You can be killed or seriously injured if you don't follow instructions.

All safety messages will tell you what the potential hazard is, tell you how to reduce the chance of injury, and tell you what can happen if the instructions are not followed.

IMPORTANT SAFEGUARDS

When using electrical appliances, basic safety precautions should always be followed, including the following:

1. Read all instructions. Misuse of appliance may result in personal injury.
2. European Union only: Appliances can be used by persons with reduced physical, sensory or mental capabilities or lack of experience and knowledge if they have been given supervision or instruction concerning use of the appliance in a safe way and understand the hazards involved. Children shall not play with the appliance.
3. European Union only: This appliance shall not be used by children. Keep the appliance and its cord out of reach of children.
4. Turn the appliance off, unplug from outlet and detach the attachment from the appliance before cleaning and when not in use. Turn the appliance off and make sure the motor stops completely before putting on or taking off parts.
5. This appliance is not intended for use by persons (including children) with reduced physical, sensory or mental capabilities, or lack of experience and knowledge, unless they have been given supervision or instruction concerning use of the appliance by a person responsible for their safety.
6. Children should be supervised to ensure that they do not play with the appliance.
7. Do not use the appliance outdoors.
8. Check the Main Housing for the presence of foreign objects before using.
9. Avoid contacting moving parts. Keep fingers out of discharge opening.
10. Never leave the appliance unattended while it is in operation.
11. The use of attachments not recommended or sold by KitchenAid may cause fire, electric shock, or injury.
12. Never feed food by hand. Always use the Food Pusher.
13. Blades are sharp. Handle carefully.
14. Do not use fingers to scrape food away from the discharge disc while appliance is operating. Cut-type injury may result.




PRODUCT SAFETY

15. Refer to the “Care and Cleaning” section for instructions on cleaning the surfaces in contact with food.
16. Also see the Important Safeguards section included in the Stand Mixer Use and Care guide.
17. This appliance is intended to be used in household and similar applications such as:
 - staff kitchen areas in shops, offices and other working environments;
 - farm houses;
 - by clients in hotels, motels and other residential type environments;
 - bed and breakfast type environments”.

SAVE THESE INSTRUCTIONS

DISPOSAL OF PACKING MATERIAL

The packing material is 100% recyclable and is marked with the recycle symbol . The various parts of the packing must therefore be disposed of responsibly and in full compliance with local authority regulations governing waste disposal.

PRODUCT USAGE

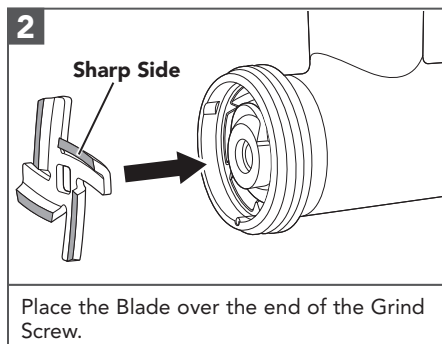
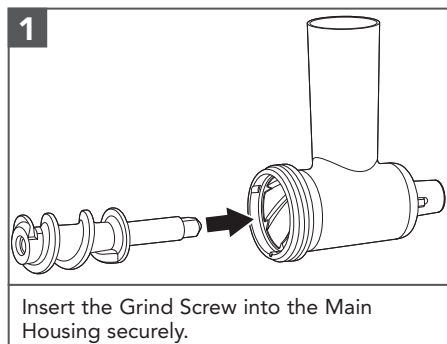
GUIDE TO GRINDING

NOTE: None of the parts and accessories of this KitchenAid Food Grinder attachment (model 5KSMFGA) are compatible with the parts and accessories of the KitchenAid Metal Food Grinder Attachment or previous KitchenAid Food Grinder Attachment (models 5KSMMGA, 5FGA, 5SSA, 5FVSP, 5FVSFGA, 5FPPA, 5KSMFPPA, 5GSSA, 5KSMGSSA, 5KN12AP) and vice versa.

USE THESE PARTS	WITH THESE PARTS	SUGGESTED USES	SPEED
Fine (4.5 mm) Grinding Plate	Blade	Cooked meats for spreads, hard cheeses (e.g. Parmesan), bread crumbs)	4
Coarse (6 mm) Grinding Plate	Blade	Raw meats for burgers and chili, vegetables for salsas and sauces	4

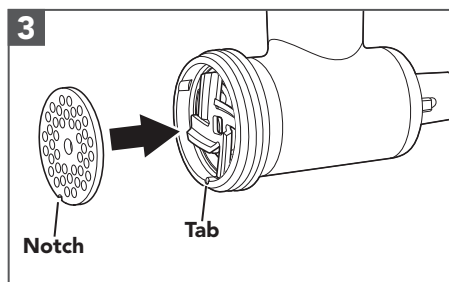
ASSEMBLING THE ATTACHMENT

Before first use, clean all parts and accessories (see “Care and Cleaning” section).

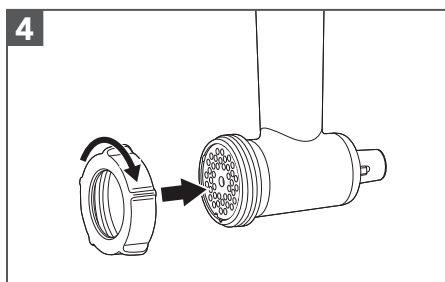




PRODUCT USAGE

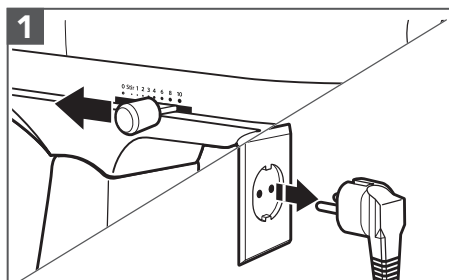


Place the desired Grinding Plate over the Blade, matching the notch of the plate with the tab on the bottom of the Main Housing.

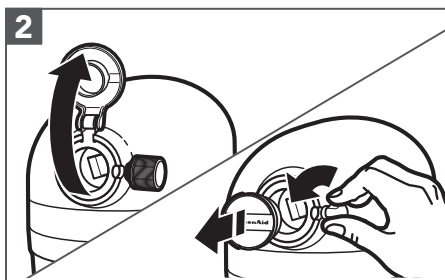


Place the Collar on the Main Housing, turning clockwise by hand until secured but not tightened.

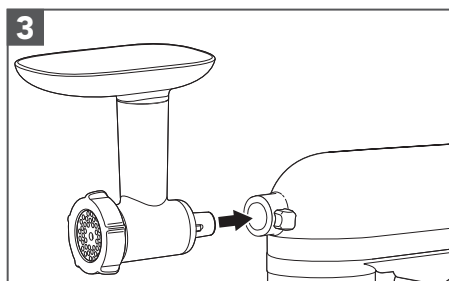
ASSEMBLING THE ATTACHMENT TO THE STAND MIXER



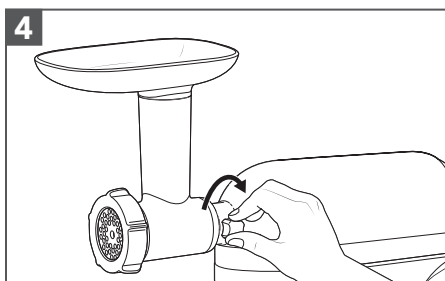
Turn the Stand Mixer off and unplug.



Remove the attachment hub cover.



Insert the attachment shaft Housing into the attachment hub.




Tighten the Stand Mixer attachment hub knob until the attachment is completely secured to the Stand Mixer.





PRODUCT USAGE

GRINDING WITH THE FOOD GRINDER



⚠ WARNING

Rotating Blade Hazard

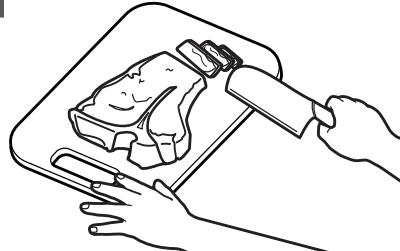
Always use food pusher.

Keep fingers out of openings.

Keep away from children.

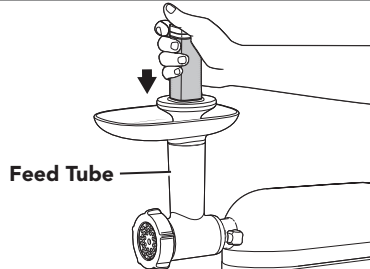
Failure to do so can result in amputation or cuts.

1



Cut food into small strips or pieces sized to fit into the feed tube.

2



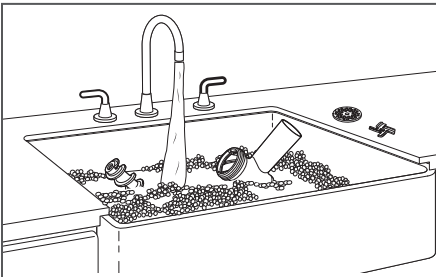
Turn the Stand Mixer to Speed 4 and feed food into the feed tube using the food pusher.

CARE AND CLEANING

NOTE: Blades are sharp. Handle carefully.



Dishwasher-safe parts, top rack only: Collar, Removable Tray, and Food Pusher.



The following parts should be hand-washed only, using warm, soapy water and drying thoroughly: Main Housing, Grind Screw, Grinding Plates, and Blade.





ENGLISH

PRODUCT WARRANTY

Length of Warranty:	KitchenAid Will Pay For:	KitchenAid Will Not Pay For:
<p>Europe, Middle East and Africa: 5KSMFGA Two years full warranty from date of purchase.</p>	<p>The replacement parts and repair labour costs to correct defects in materials or workmanship. Service must be provided by an Authorised KitchenAid Service Centre.</p>	<p>A. Repairs when Stand Mixer attachment is used for operations other than normal household food preparation.</p> <p>B. Damage resulting from accident, alterations, misuse, abuse, or installation/operation not in accordance with local electrical codes.</p>

KITCHENAID DOES NOT ASSUME ANY RESPONSIBILITY FOR INDIRECT DAMAGES.

CUSTOMER SERVICE

For any questions, or to find the nearest Authorised KitchenAid Service Centre in your country, please find our contact details below.

Number for general questions:  00800 3810 4026

For more information, visit our website at:

www.KitchenAid.co.uk
www.KitchenAid.eu

PRODUCT REGISTRATION

Register your new KitchenAid appliance now: <http://www.kitchenaid.eu/register>

©2019 All rights reserved.

KITCHENAID and the design of the stand mixer are trademarks in the U.S. and elsewhere.

