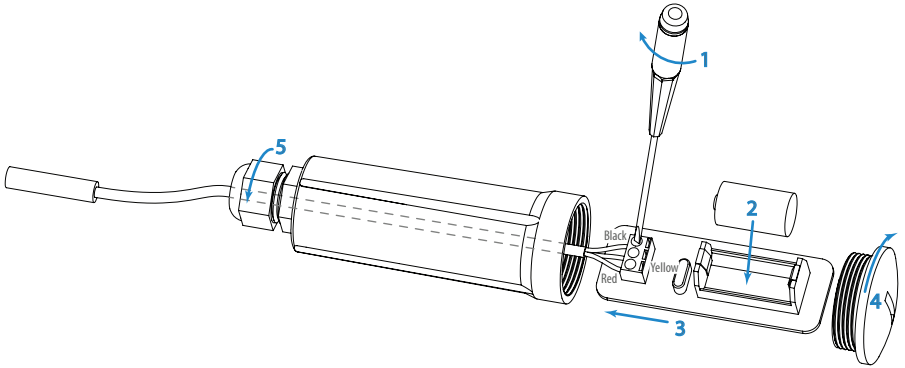


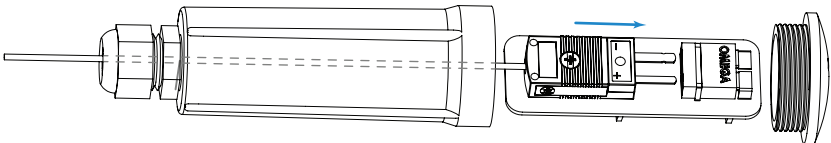
Outdoor Probe Setup Instructions

Install battery and attach external probe of your choice. Then the rest is the same as any other Wireless Sensor Tag.



1. Pass the DS18B20 probe from the colored wire side through the cable gland, insert the 3 wires into the terminal block. Tighten using a flat head screw driver.
2. Unwrap and insert included 1/2AA battery. A light should start flashing on the circuit board.
3. After finishing *Associate*, slide in the circuit board and probe into the enclosure while pulling out the probe cable.
4. Tighten the end cap until the o-ring is compressed to at least half of its original thickness (**IMPORTANT**).
5. Tighten the cable gland for water tight seal (**IMPORTANT**).

*If 4 or 5 above is not accomplished, the product will not achieve IP68 rating, water damage not covered by warranty may occur.



Optionally, attach thermocouple or protimeter probe (to appropriate connector on the back side) instead of, or in addition to the DS18B20 probe.