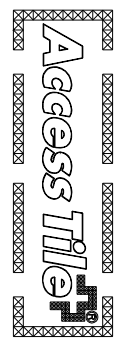
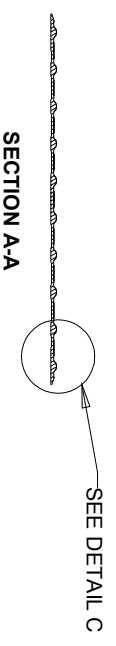
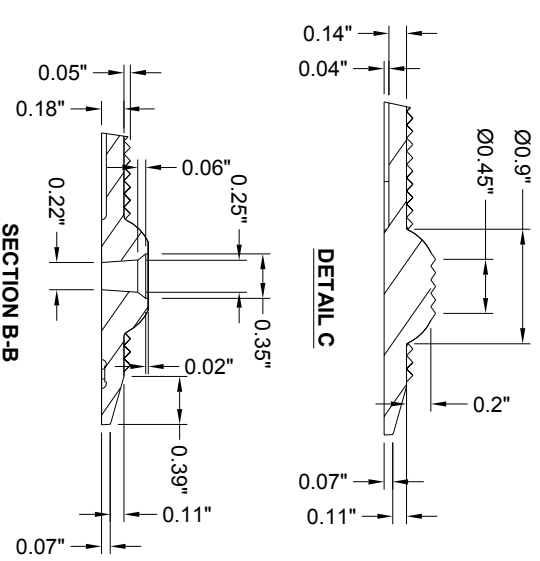
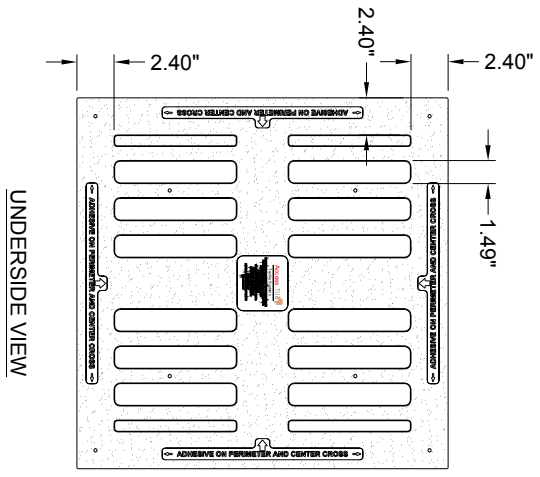
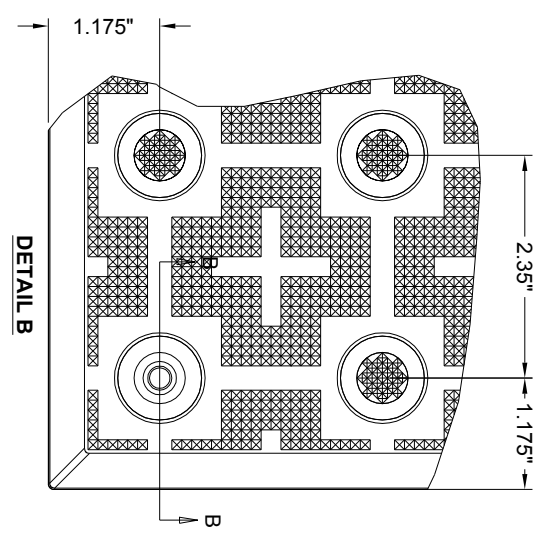
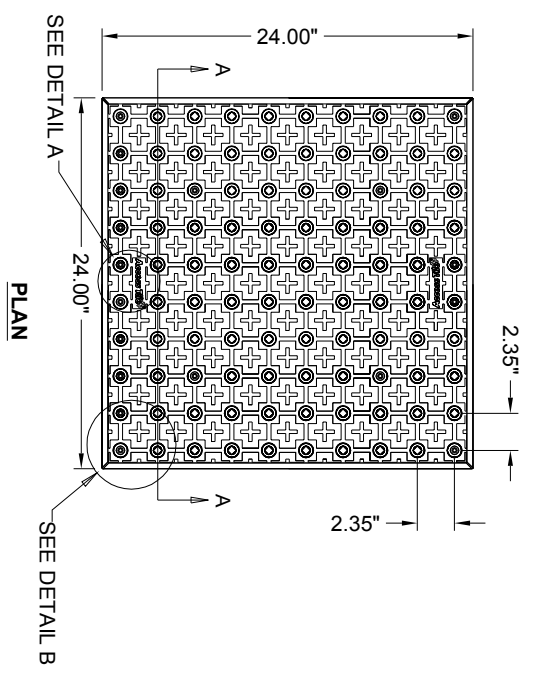


2"X2"

SURFACE APPLIED 2.35" DOME SPACING

www.AccessTile.com 888-679-4022



www.AccessTile.com
Access Products Inc

© Access Products Inc. ACCESS TILE, ACCESS, AND THE THREE AND TWO DIMENSIONAL DESIGNS ON THE TILE BETWEEN DOMES AND ON DOMES ARE TRADEMARKS OF ENGINEERED SYSTEMS INC. PATENTS PENDING IN THE UNITED STATES, CANADA AND INTERNATIONALLY UNDER LICENSE AND DISTRIBUTED BY ACCESS WORLD PRODUCTS INCORPORATED
www.accesstile.com
KENNETH E. SEZEMELY

MATERIAL LIST		
ITEM DESCRIPTION	PART NO.	QTY
1 ACCESS TILE	ACC-S-2X2	1
2 Tsk™ ANCHOR	ACC-S-ANCH	8
3 TACTILE BOND AND SEAL	TBS-010	1 ea

NOTE: FASTENERS AND 1 TUBE OF TACTILE BOND AND SEAL ARE INCLUDED WITH TILE

REFERENCE DRAWINGS

DWG. NO.	DESCRIPTION

NO.	DATE	REVISION	APPR.

SCALE: 1"=1'-0" UNLESS OTHERWISE NOTED
FULL SIZE ONLY

DESIGNED	DATE
KES	10/09/2008
DRAWN	RWD
KES	10/15/2008
CHECKED	PROJECT MANAGER
KES	
TRADE DETECTABLE MARKING SURFACE	PART NO.
POLYMER COMPOSITE	ACC-S-2X2
SUBJECT	
ACCESS TILE®	
TRUNCATED DOME, DETECTABLE WARNING TACTILE SURFACE	
PROJECT	
ACCESS TILE®	
TRUNCATED DOME, DETECTABLE WARNING TACTILE SURFACE	
2X2 SURFACE APPLIED	
INLINE DOME TILE DRAWING.	
DRAWING NO.	REV. NO.
ACC-S-2X2	Ø