



GOLDSTRIKE FLAT RACK CLAMP-ON FLAG MOUNT

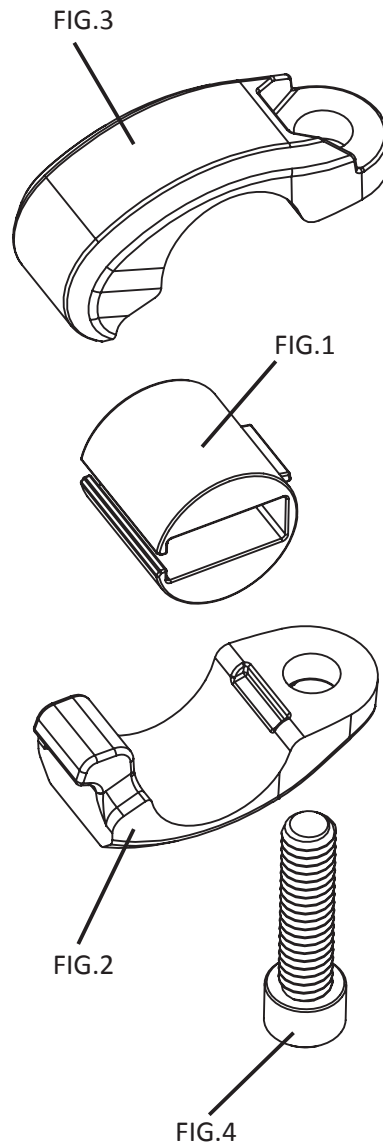
Parts Included:	1	CLAMP ASSEMBLY
	1	1/4-20 X 1.0 SHCS
	1	ADAPTER

INSTALLATION INSTRUCTIONS:

1. Park on a level surface and shut off the motorcycle. Lift motorcycle onto its center stand if available. Ensure the engine has time to cool before installation.
2. Select location to install clamp, ensuring clearances to all surrounding components, and access to preferred wire routing path.
3. Clean mounting surfaces with ammonia based cleaner, making sure to remove all oil and waxes.
4. Clip the flat rack adapter onto a suitable area on the luggage rack. The adapter cannot be stretched too wide or it will not fit into the clamp. (FIG.1)
5. Position lower clamp half onto the adapter. (smaller size with round screw cutout). (FIG.2)
6. Clip top clamp half onto the adapter, engaging the tooth and aligning the screw holes of the clamp halves. (FIG.3)
7. Install 1/4-20 screw through clamps halves into bottom hole of flag pole (sold separately). Be sure to use a quality liquid thread locker (FIG.4)
8. Tighten to 12 ft.-lbs, checking clamp tightness as you go. Depending on the tubing base diameter, slightly more or less torque may be needed to maintain satisfactory flag position.

For lighted flag products:

Refer to instructions included with flag for making final wiring connections.



WARNING:

This indication alerts you to the fact that ignoring the contents described herein can result in potential serious injury or death if not followed.

CAUTION:

This indication alerts you to the fact that ignoring the contents described herein can or will result in material damage and/or personal injury.

ATTENTION:

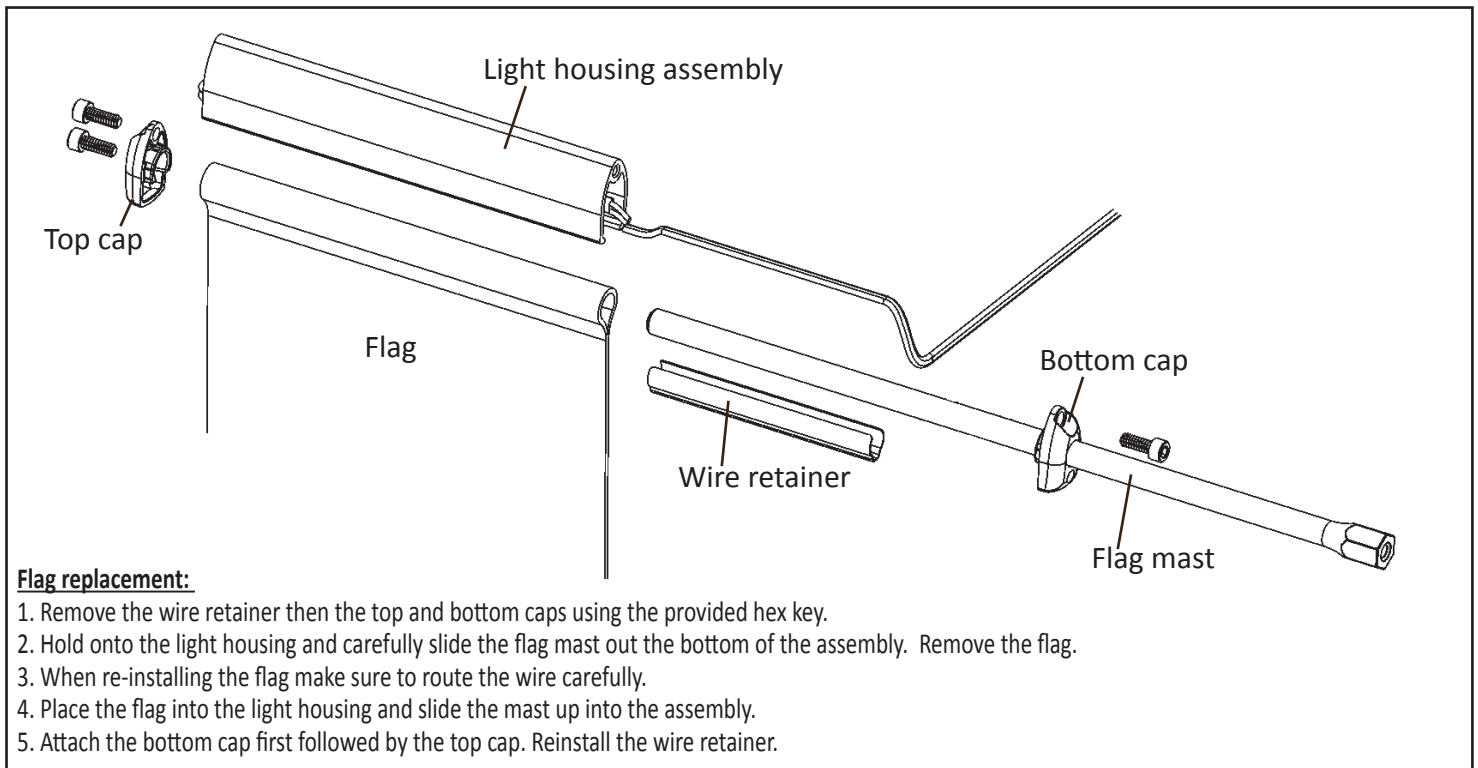
This indication alerts you to the fact if you ignore this detail you will affect the performance or functionality of the product.

All Giro products are designed for "easy assembly" and/or "plug and play". We recommend a competent mechanic install our products, using standard mechanical procedures to assure a safe and successful installation.

NOTE:

Giro products are designed and manufactured under very strict quality control. Giro warrants that products sold to the original purchaser shall be free from any defects in materials and workmanship for a period of 3 (three) years from the date of purchase, and a lifetime warranty against LED failure.

Giro will have no obligation if the customer cannot show proof of purchase. Warranty will not be granted unless the part is properly installed and maintained. Giro will not be liable for any consequential and incidental damages, including labor, or non-Giro products. Please visit our website Ciro3d.com for our complete warranty policy.



Flag replacement:

1. Remove the wire retainer then the top and bottom caps using the provided hex key.
2. Hold onto the light housing and carefully slide the flag mast out the bottom of the assembly. Remove the flag.
3. When re-installing the flag make sure to route the wire carefully.
4. Place the flag into the light housing and slide the mast up into the assembly.
5. Attach the bottom cap first followed by the top cap. Reinstall the wire retainer.