



GOLDSTRIKE TRUNK LID FLAG MOUNT

Parts Included:	1	R BRACKET
	1	L BRACKET
	1	HARDWARE KIT

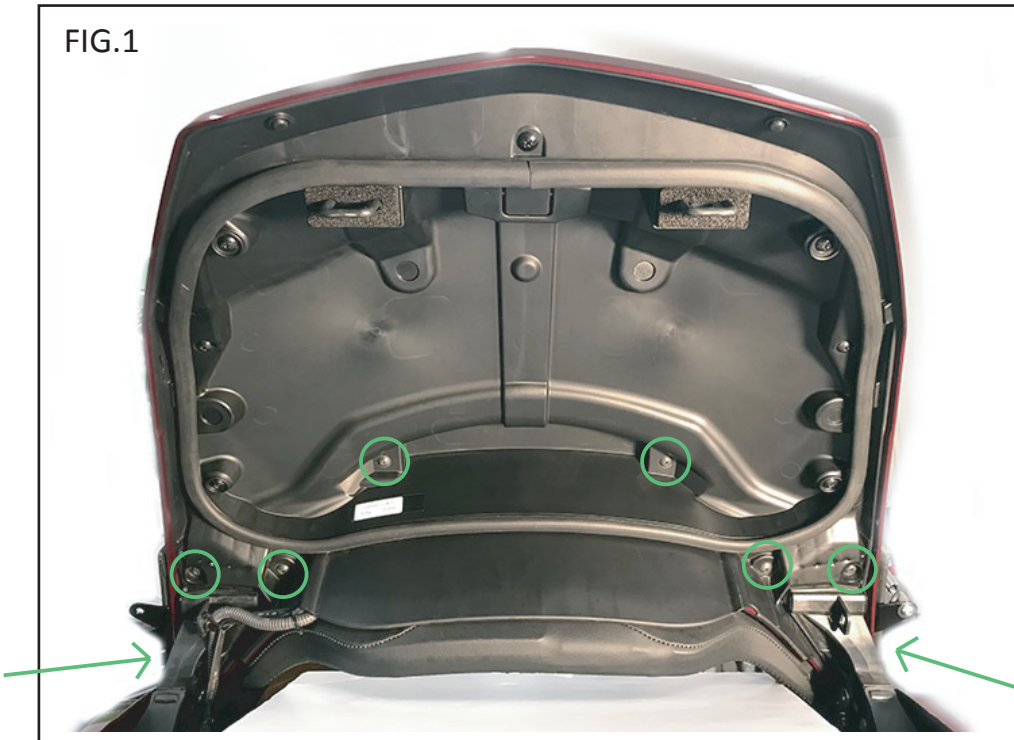
INSTALLATION INSTRUCTIONS:

1. Park on a level surface and shut off the motorcycle. Lift motorcycle onto its center stand if available. Ensure the engine has time to cool before installation.
2. Decide which side of your motorcycle you want to mount the flag and choose the correct bracket. They are marked L & R.
3. Remove the seat.
4. Remove the passenger backrest. There are 6 screws inside the trunk (FIG.1) You must also remove the armrests plugs or armrests, two screws each. The screws are located inside the trunk near the hinges. See the arrows (FIG.1)
5. Unplug the backrest from the wiring harness and set it aside.
6. Remove the 2 outer screws securing the trunk lid to the hinge. (FIG.2)
7. Place (2) trunk mount spacers into holes followed by the chosen bracket (FIG.3)
8. Place 1 of the included paint protect film patches under the bracket on the trunk lid. (FIG.2)
9. Use included 25mm long screws and washer to secure bracket. Torque to 9.0N-m. / 6.6lbf.ft (FIG.2,3)
10. Close trunk lid and position 2nd paint protect film patch under bracket on lower trunk outer body panel.
11. Install 3/4" button head cap screw with washer and lock washer through bracket and into flag mast. A quality liquid thread locker should be used here.

For lighted flag products:

1. Route as shown (FIG.2)
2. The wire will pass behind the black panel at the side of the seating area and under the seat.
3. Move the trunk lid up and down and observe the wire. Check for good clearance.
4. Refer to instructions included with flag for making final wiring connections.

FIG.1



WARNING:

This indication alerts you to the fact that ignoring the contents described herein can result in potential serious injury or death if not followed.

CAUTION:

This indication alerts you to the fact that ignoring the contents described herein can or will result in material damage and/or personal injury.

ATTENTION:

This indication alerts you to the fact if you ignore this detail you will affect the performance or functionality of the product.

All Ciro products are designed for "easy assembly" and/or "plug and play". We recommend a competent mechanic install our products, using standard mechanical procedures to assure a safe and successful installation.

NOTE:

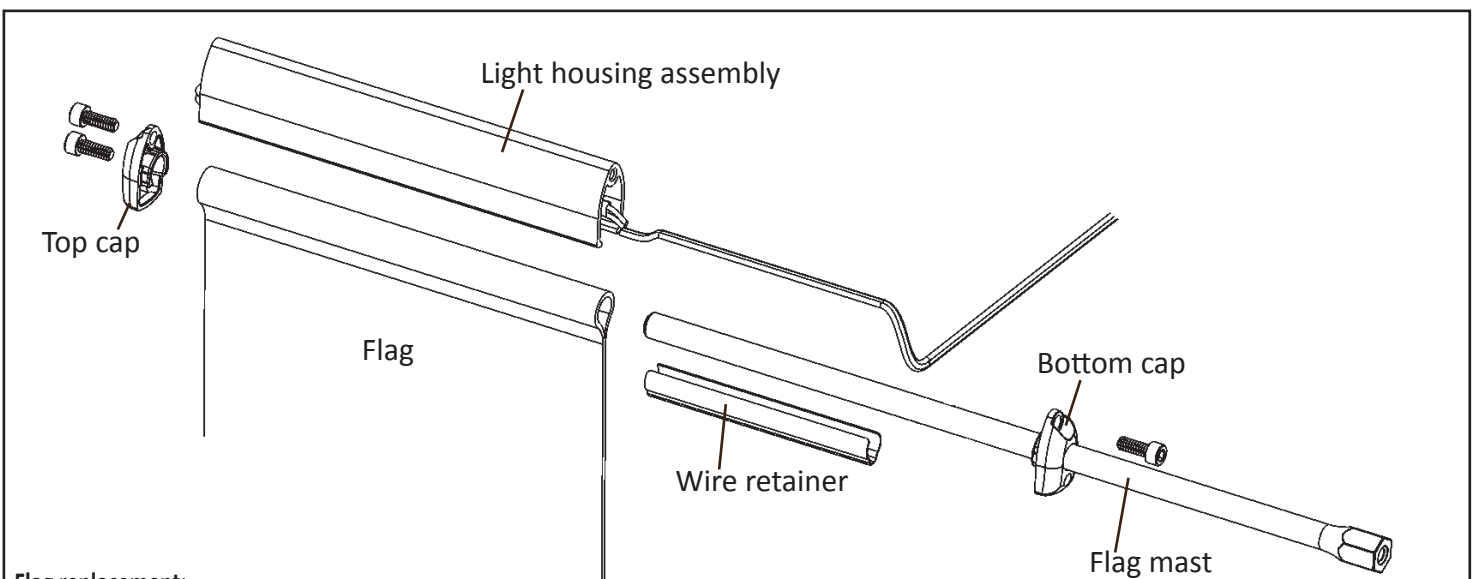
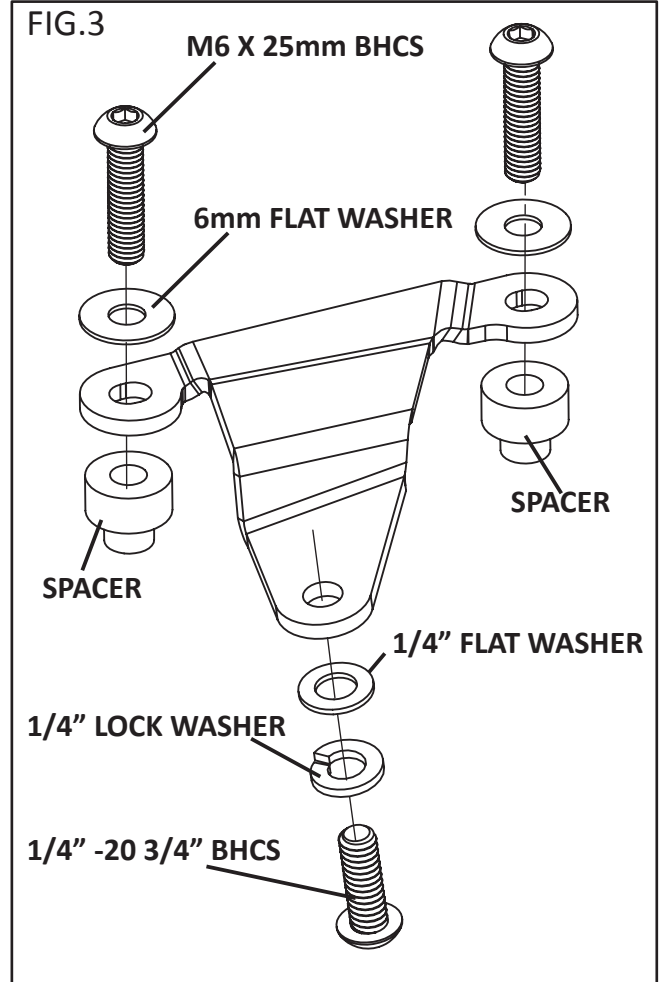
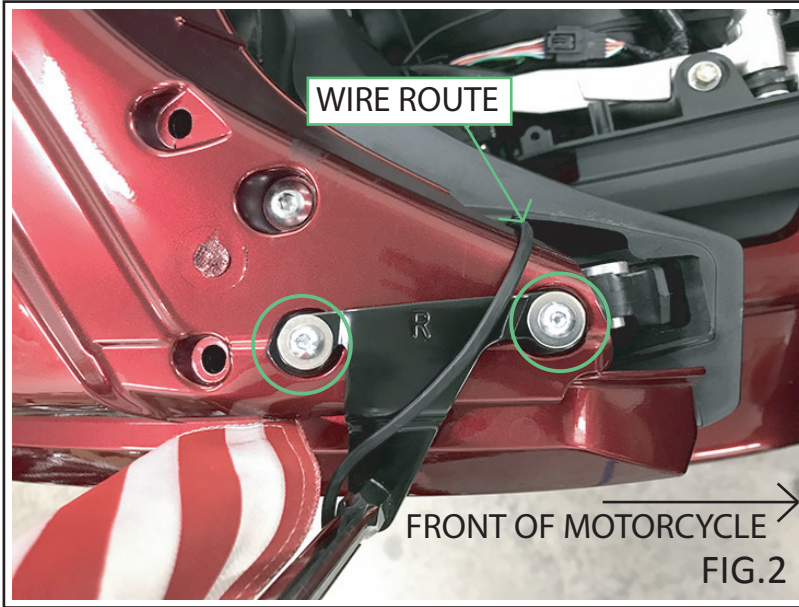
Ciro products are designed and manufactured under very strict quality control. Ciro warrants that products sold to the original purchaser shall be free from any defects in materials and workmanship for a period of 3 (three) years from the date of purchase, and a lifetime warranty against LED failure.

Ciro will have no obligation if the customer cannot show proof of purchase.

Warranty will not be granted unless the part is properly installed and maintained.

Ciro will not be liable for any consequential and incidental damages, including labor, or non-Ciro products.

Please visit our website Ciro3D.com for our complete warranty policy.



Flag replacement:

1. Remove the wire retainer then the top and bottom caps using the provided hex key.
2. Hold onto the light housing and carefully slide the flag mast out the bottom of the assembly. Remove the flag.
3. When re-installing the flag make sure to route the wire carefully.
4. Place the flag into the light housing and slide the mast up into the assembly.
5. Attach the bottom cap first followed by the top cap. Reinstall the wire retainer.