



McElroy Manufacturing, Inc.
The leader by design.
Tulsa, Oklahoma U.S.A.

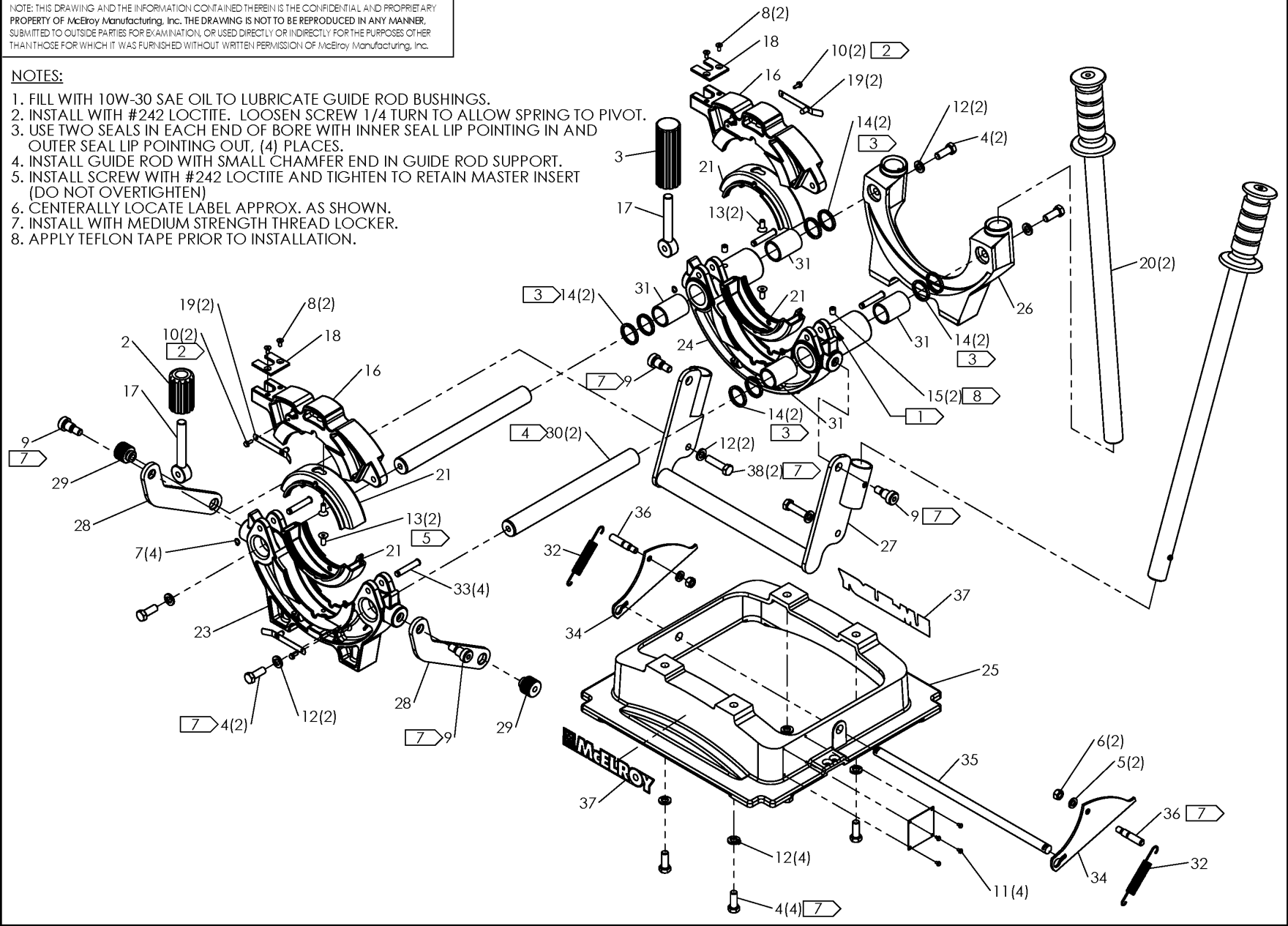
DRAWN: BWW CHECK: TMT/BP APPRVD: SWB DATE: 6/2/00 SHT No: 1 REV No: L PART No: 430101

PitBull® No. 14 FUSION MACHINE ASSEMBLY

NOTE: THIS DRAWING AND THE INFORMATION CONTAINED THEREIN IS THE CONFIDENTIAL AND PROPRIETARY PROPERTY OF McElroy Manufacturing, Inc. THE DRAWING IS NOT TO BE REPRODUCED IN ANY MANNER, SUBMITTED TO OUTSIDE PARTIES FOR EXAMINATION, OR USED DIRECTLY OR INDIRECTLY FOR THE PURPOSES OTHER THAN THOSE FOR WHICH IT WAS FURNISHED WITHOUT WRITTEN PERMISSION OF McElroy Manufacturing, Inc.

NOTES:

1. FILL WITH 10W-30 SAE OIL TO LUBRICATE GUIDE ROD BUSHINGS.
2. INSTALL WITH #242 LOCTITE. LOOSEN SCREW 1/4 TURN TO ALLOW SPRING TO PIVOT.
3. USE TWO SEALS IN EACH END OF BORE WITH INNER SEAL LIP POINTING IN AND OUTER SEAL LIP POINTING OUT, (4) PLACES.
4. INSTALL GUIDE ROD WITH SMALL CHAMFER END IN GUIDE ROD SUPPORT.
5. INSTALL SCREW WITH #242 LOCTITE AND TIGHTEN TO RETAIN MASTER INSERT (DO NOT OVERTIGHTEN)
6. CENTRALLY LOCATE LABEL APPROX. AS SHOWN.
7. INSTALL WITH MEDIUM STRENGTH THREAD LOCKER.
8. APPLY TEFLON TAPE PRIOR TO INSTALLATION.



McElroy Manufacturing Parts List

Part Number: 430101 PitBull 14 Fusion Machine Assembly

Part Number 430101 Component List

Item	Component	Description	Quantity	Unit	Price
1	A214201	Butt Fusion Screw/Driver Kit	1.0	EA	32.66
2	A829001	Short Clamp Knob Assembly	1.0	EA	60.87
3	A829101	Long Clamp Knob Assembly	1.0	EA	60.87
4	MAB00077	3/8-16NCX1LG Hhcs GR8	8.0	EA	0.49
5	MBE00006	5/16 Reg Splt Lck Wshr Stl PL	2.0	EA	0.10
6	MBA00006	5/16-18NC Fnsh Hex Nut Stl PL	2.0	EA	0.28
7	MCB00022	Ext Snap Ring	4.0	EA	1.40
8	MAH00074	#8-32NCX3/8LG Fhscs SS	4.0	EA	1.40
9	MAF00041	1/2DIA X 1/2LG Skt HD Shldr Scr	4.0	EA	6.51
10	MAH00036	#6-32NCX3/8LG Hwh TC Scr	4.0	EA	0.28
11	MAH00093	#4-40NCX3/16LG Lock Scr	4.0	EA	0.36
12	MBE00007	3/8 Reg Splt Lck Wshr Stl PL	10.0	EA	0.11
13	MAH00073	1/4-20NCX5/8LG Fhscs SS	4.0	EA	2.20
14	MDL00051	1.00 ID X 1.25 OD 9815 Seal	8.0	EA	6.38
15	MFA00001	1/16-27 Soc Pipe Plug	2.0	EA	0.78
16	430301	4DIPS Upper Jaw	2.0	EA	130.00
17	430501	Eyebolt	2.0	EA	41.23
18	402001	Clamp Pad	2.0	EA	9.20
19	402301	Insert Keeper Spring Pin Assy	4.0	EA	5.50
20	402801	24Long Lever Handle Assembly	2.0	EA	35.68
21	430701	4IPS/DIPS Master Insert	4.0	EA	38.50
23	430201	4DIPS Lower Fixed Jaw	1.0	EA	253.00
24	430401	4DIPS Lower Movable Jaw	1.0	EA	284.00
25	432601	4DIPS Base	1.0	EA	236.00
26	431001	Guide Rod Support	1.0	EA	176.00
27	431101	Yoke Weldment	1.0	EA	190.00
28	421001	14 Link	2.0	EA	23.89
29	421201	14 Yoke Lock Pivot	2.0	EA	18.48
30	421301	14 Guide Rod	2.0	EA	94.29
31	421701	Guide Rod Bushing Mod	4.0	EA	16.56
32	421801	Pivot Locking Spring	2.0	EA	11.59
33	426401	Jaw Pivot Pin	4.0	EA	2.87
34	431601	Lock Cam	2.0	EA	32.26
35	431401	Lock Cam Shaft	1.0	EA	17.80
36	433501	PB 14 Spring Post	2.0	EA	5.11
37	8163118	Small McElroy Branding Label	2.0	EA	2.40
38	MAB00193	3/8-16NCX1-3/8LG Hhcs GR8	2.0	EA	1.58

Please visit <https://fusion.mcelroy.com/parts> to purchase parts or for more information.