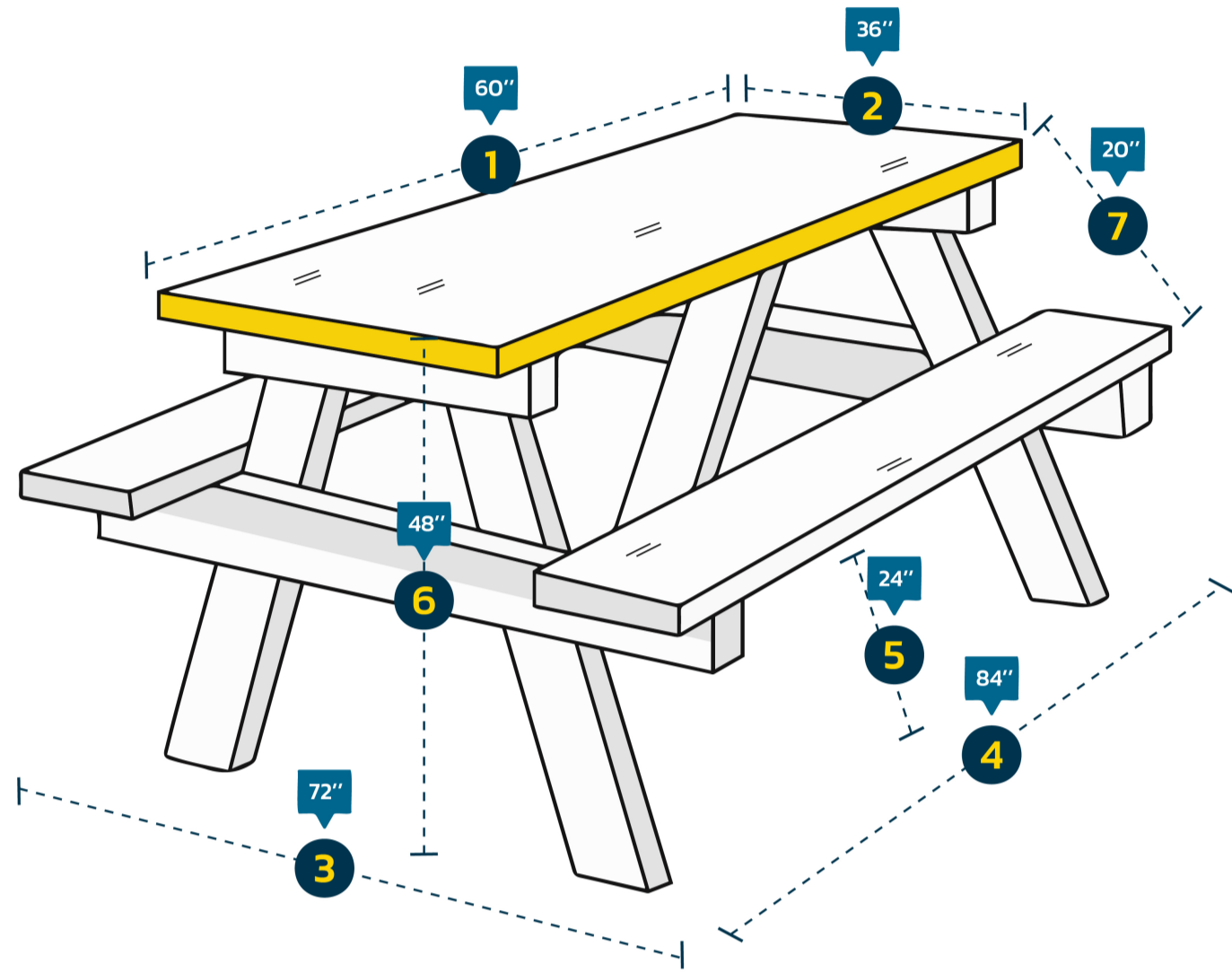


Custom Picnic Table Cover - Model 1

Measurement Instructions

- ✓ Provide the right measurements from edge to edge of the furniture ✓ Height furniture dimensions provided by you will remain the same



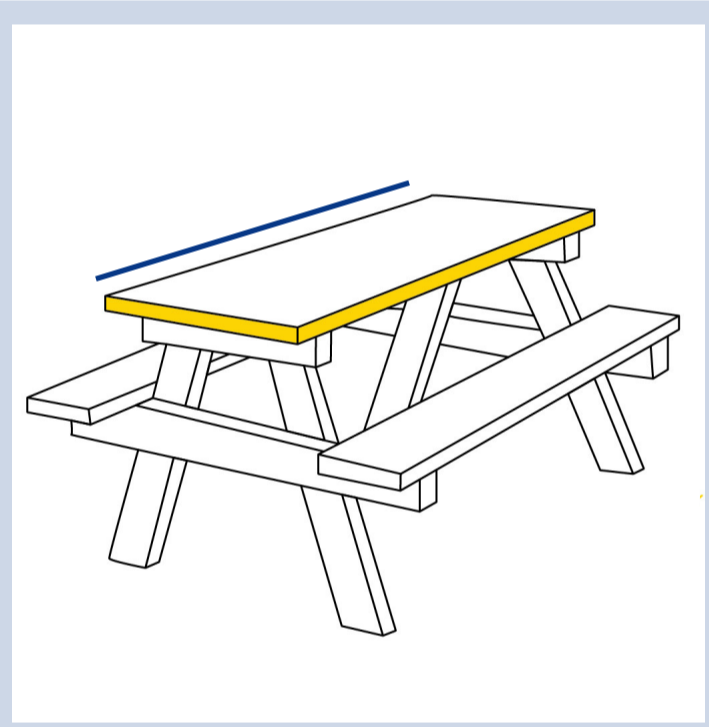
Measurement

(inches)

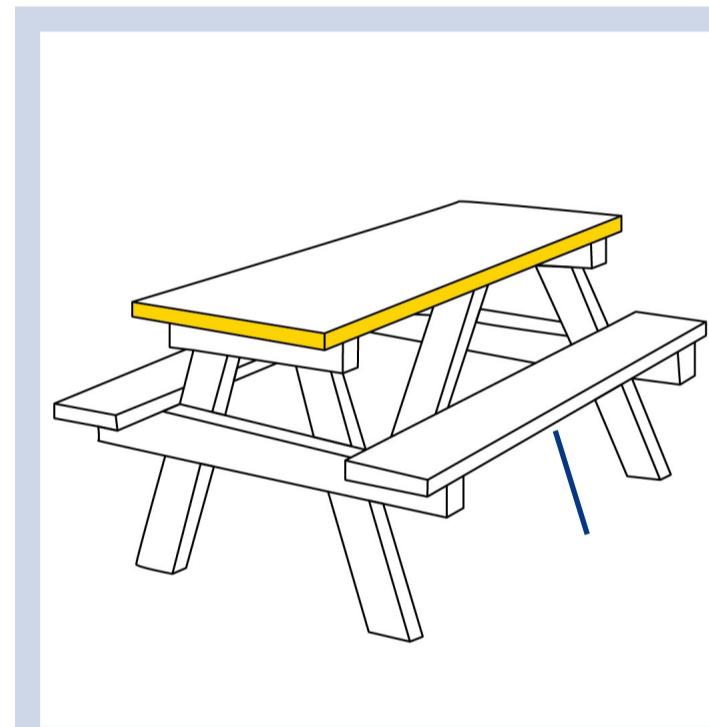
- 1. Width of the Table Top _____
- 2. Depth of the Table Top _____
- 3. Depth of the Overall Table Incl of Bench _____
- 4. Width of the Overall table Incl of Bench _____

- 5. Height from Seat to Ground _____
- 6. Overall Height of the Table _____
- 7. Incline Measurements from Table Top to Bench Top _____

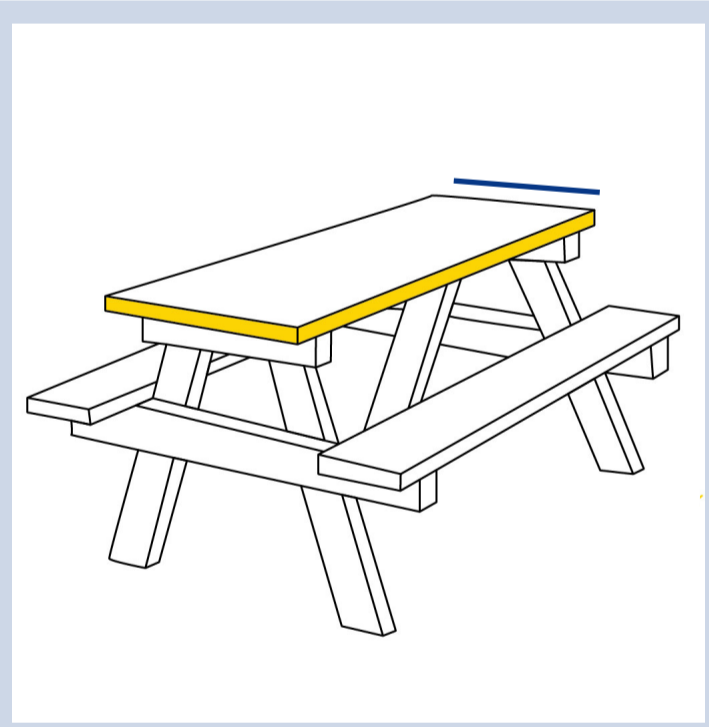
1. Width of the Table Top



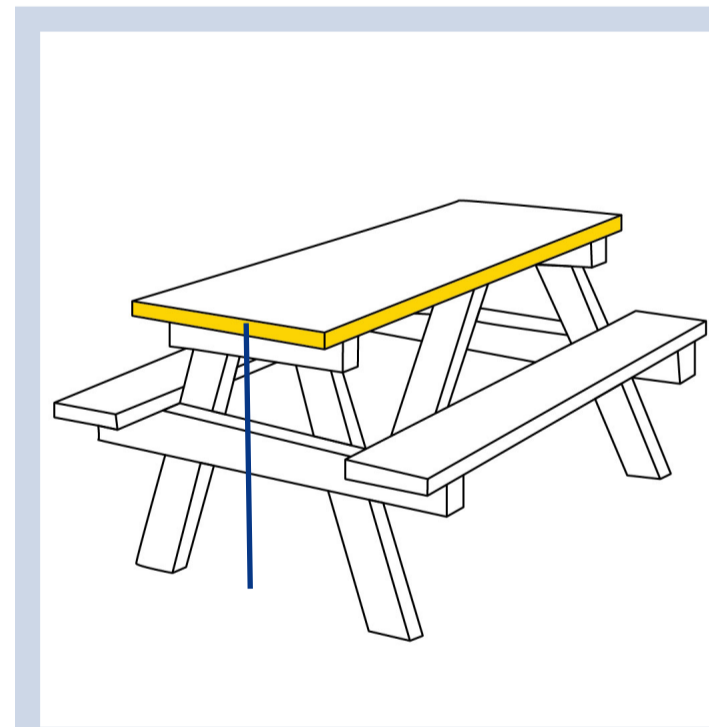
5. Height from Seat to Ground



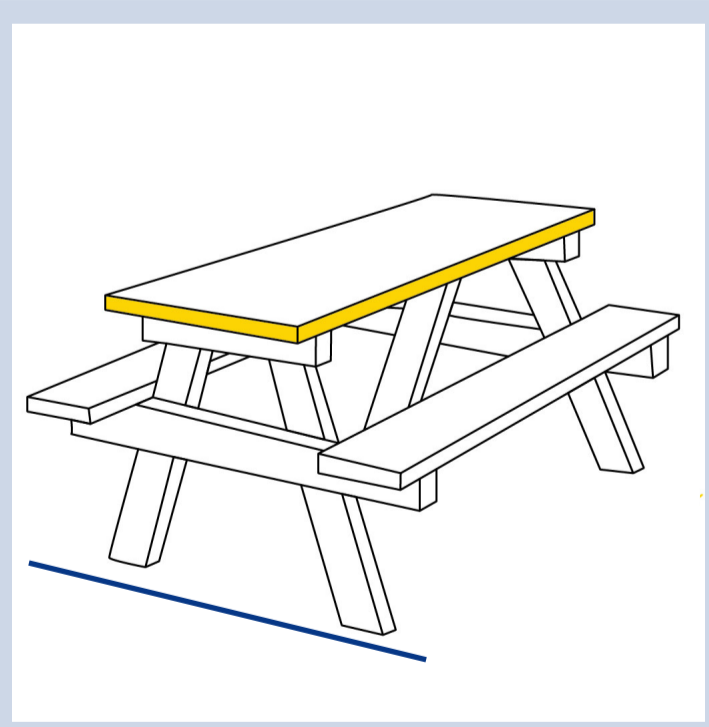
2. Depth of the Table Top



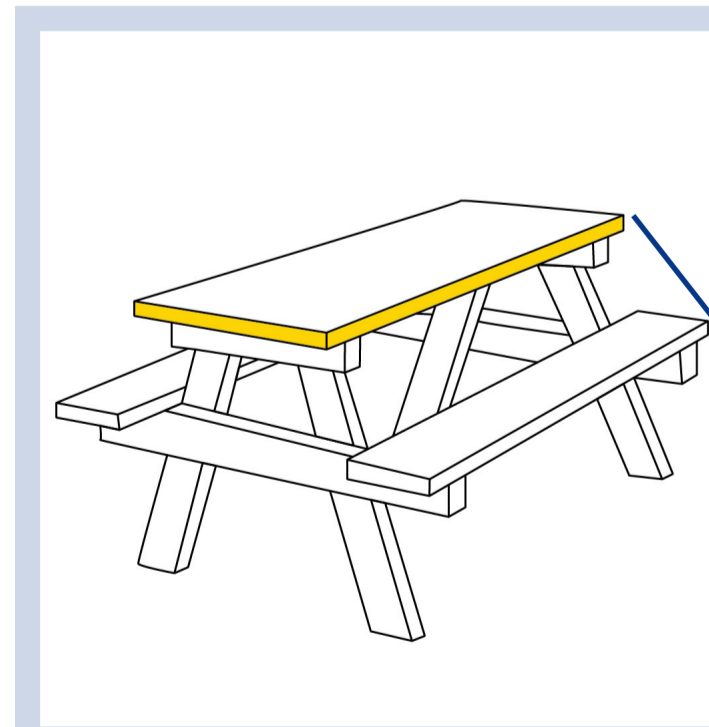
6. Overall Height of the Table



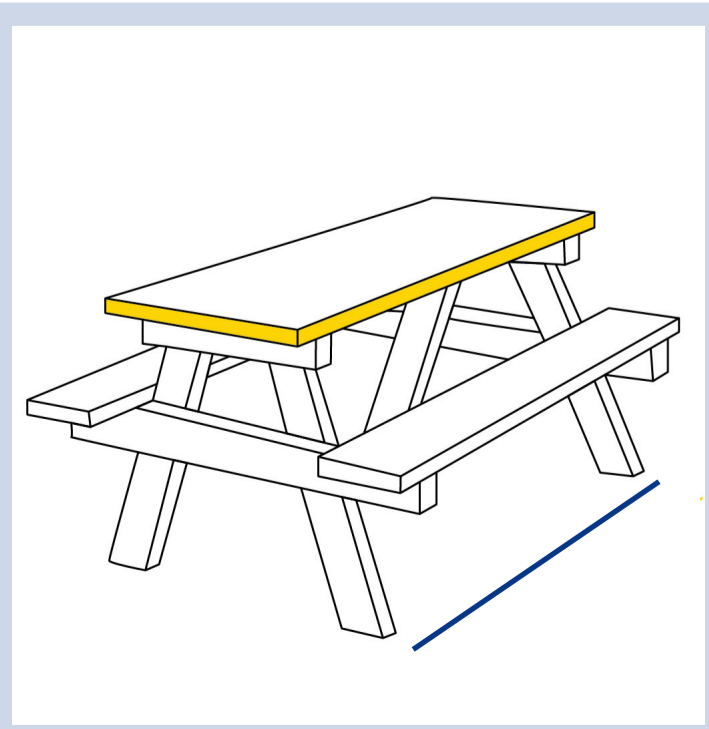
3. Depth of the Overall Table Incl of Bench



7. Incline Measurements from Table Top to Bench Top



4. Width of the Overall table Incl of Bench



In order for you to get the most out of our extra cover features, we encourage you to upload the right image that you want the cover for, this ensures that our team design the cover that meets your needs!