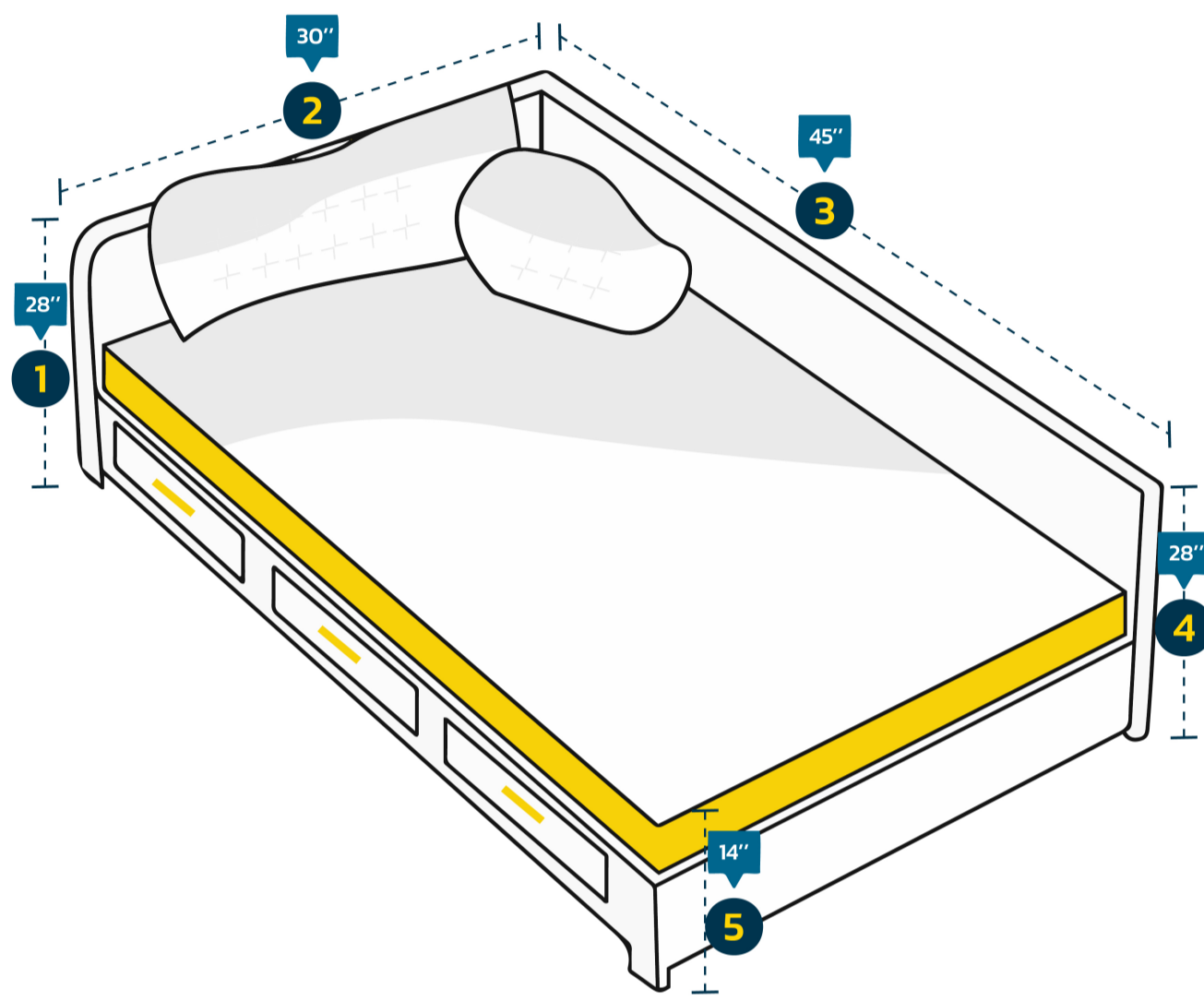


Custom Outdoor Daybed Cover - Model 8

Measurement Instructions

- ✓ Provide the right measurements from edge to edge of the furniture
- ✓ Height furniture dimensions provided by you will remain the same

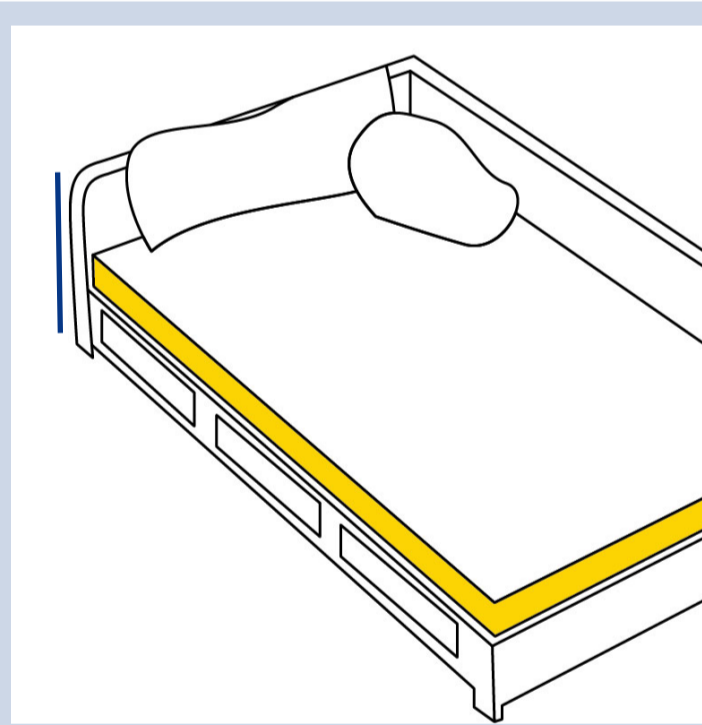


Measurement

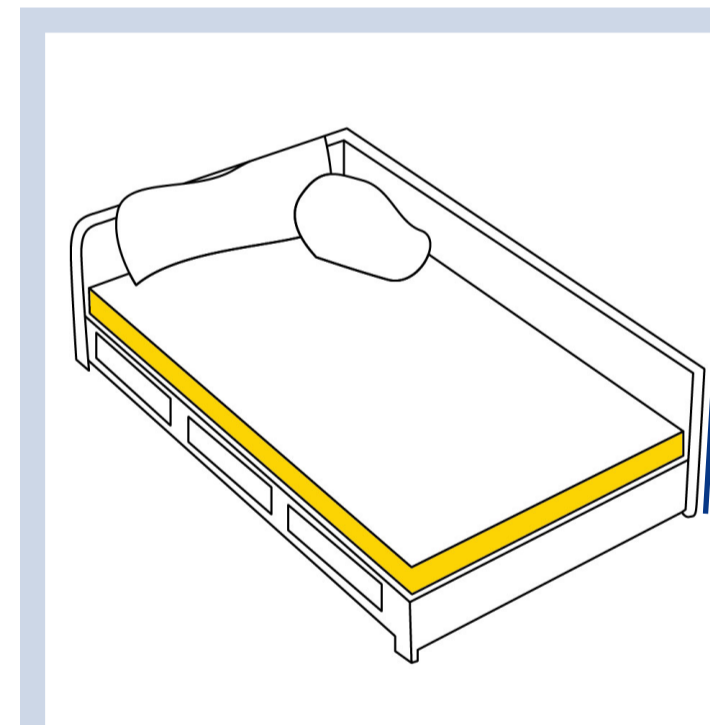
(inches)

- | | | | |
|-----------|-------|-----------------------------|-------|
| 1. Height | _____ | 4. Front Height | _____ |
| 2. Width | _____ | 5. Ground to Cushion Height | _____ |
| 3. Depth | _____ | | |

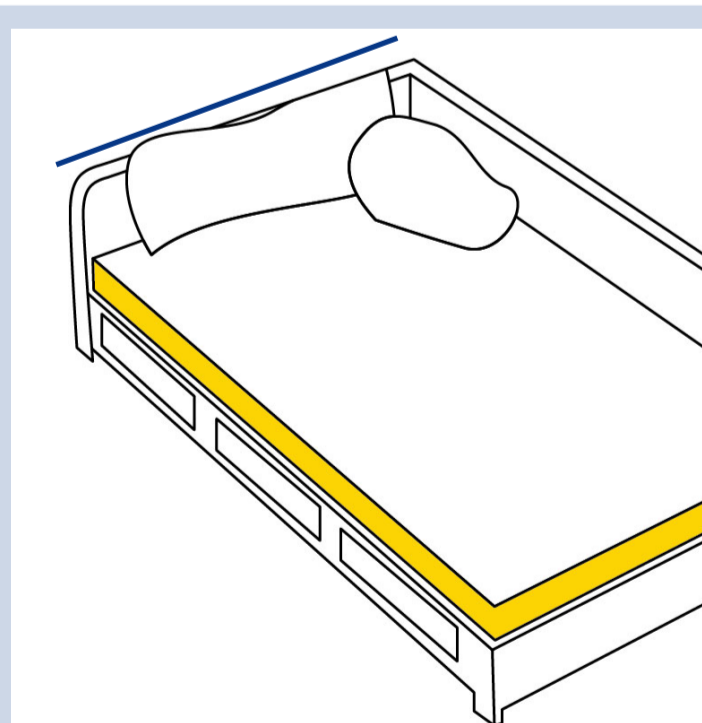
1. Height



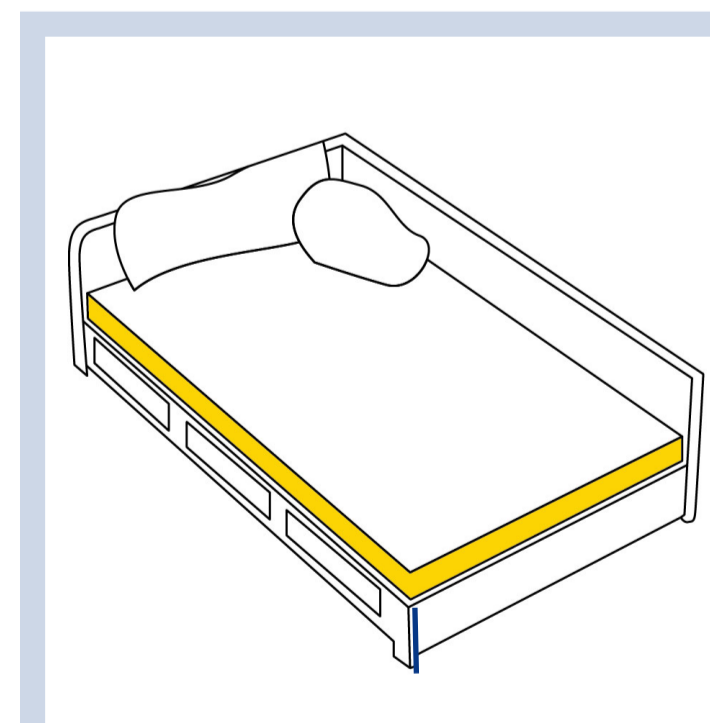
4. Front Height



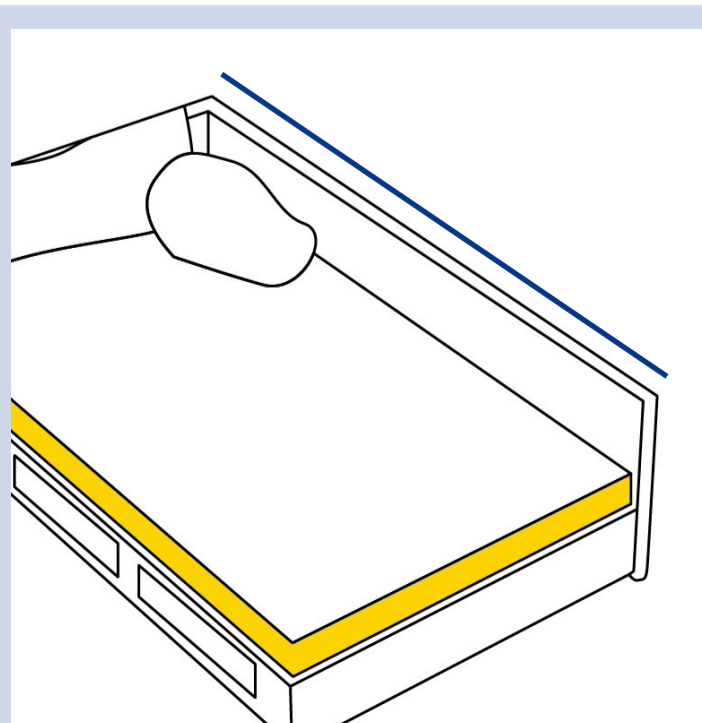
2. Width



5. Ground to Cushion Height



3. Depth



In order for you to get the most out of our extra cover features, we encourage you to upload the right image that you want the cover for, this ensures that our team design the cover that meets your needs!