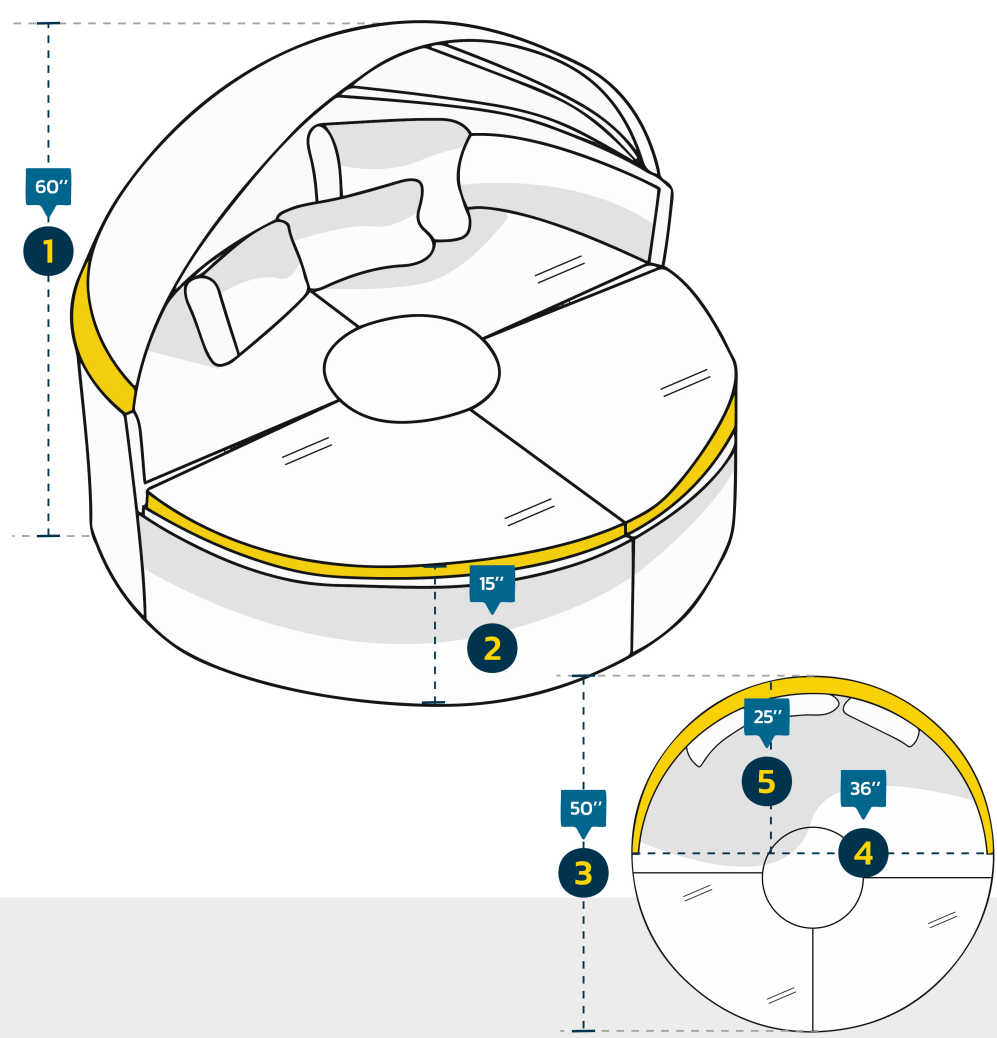


Custom Outdoor Daybed Cover - Model 2

Measurement Instructions

- ✓ Provide the right measurements from edge to edge of the furniture
- ✓ Height furniture dimensions provided by you will remain the same

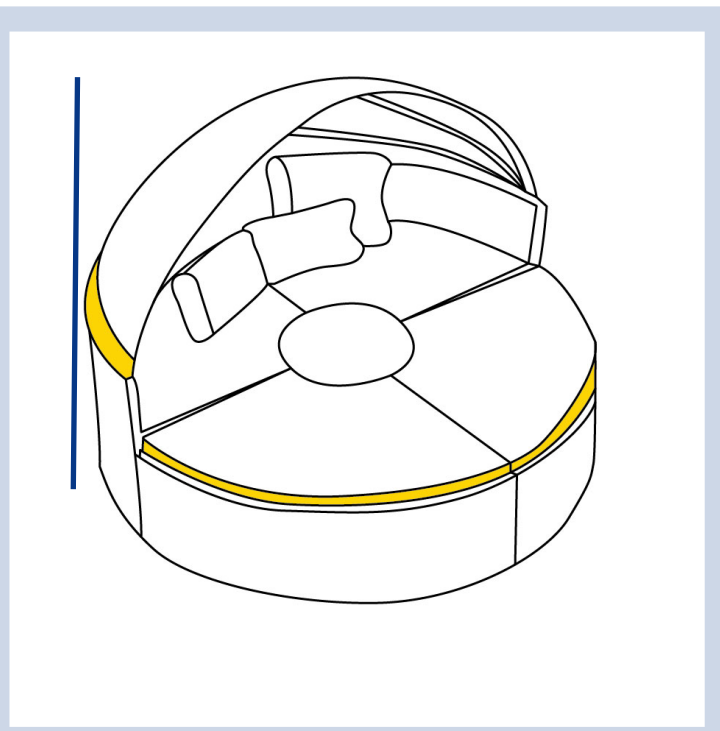


Measurement

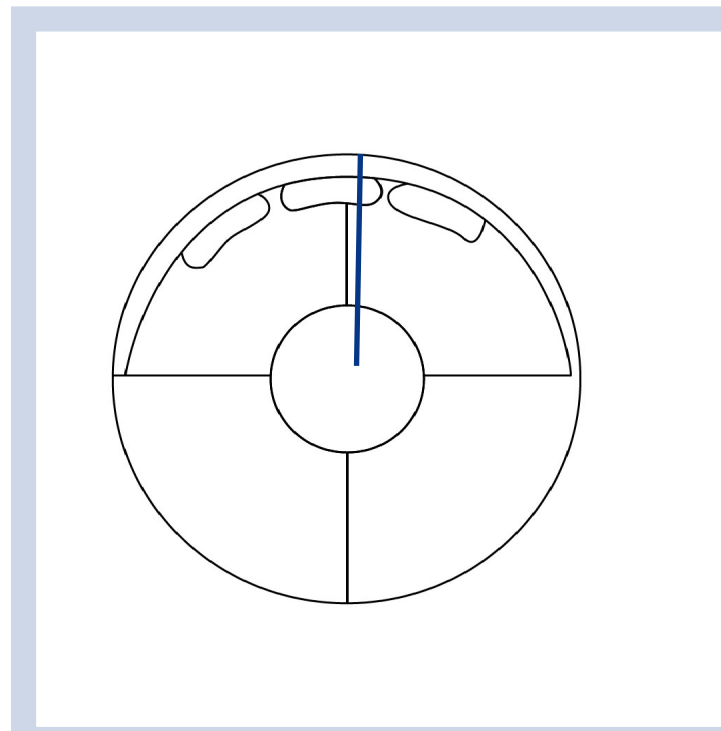
(inches)

- | | |
|-----------------------|-------------------------|
| 1. Back Height _____ | 4. Diameter _____ |
| 2. Front Height _____ | 5. Depth of curve _____ |
| 3. Total Depth _____ | |

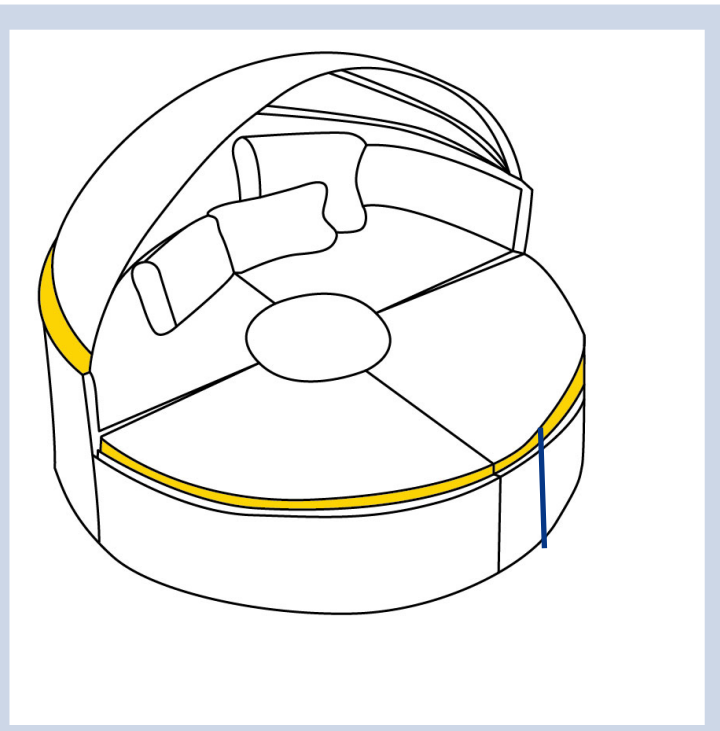
1. Back Height



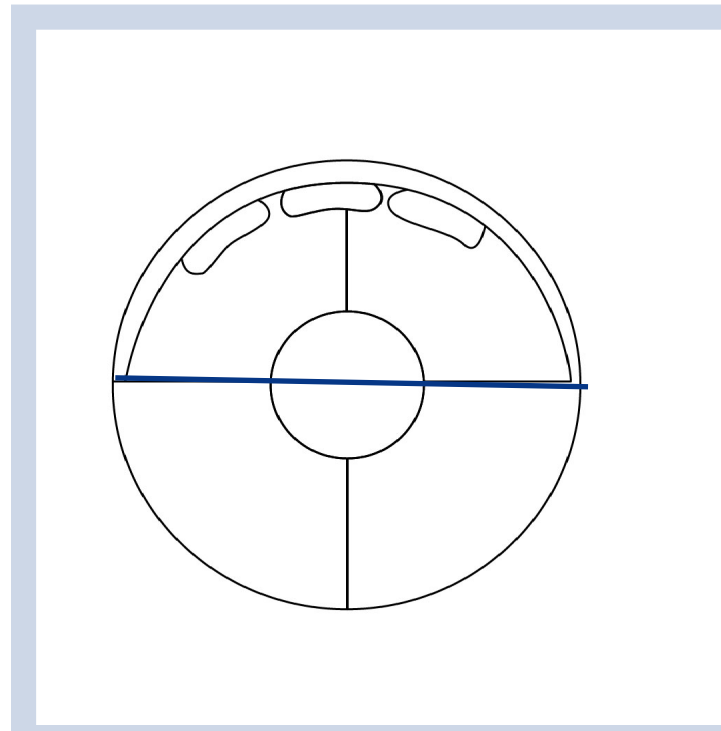
4. Diameter



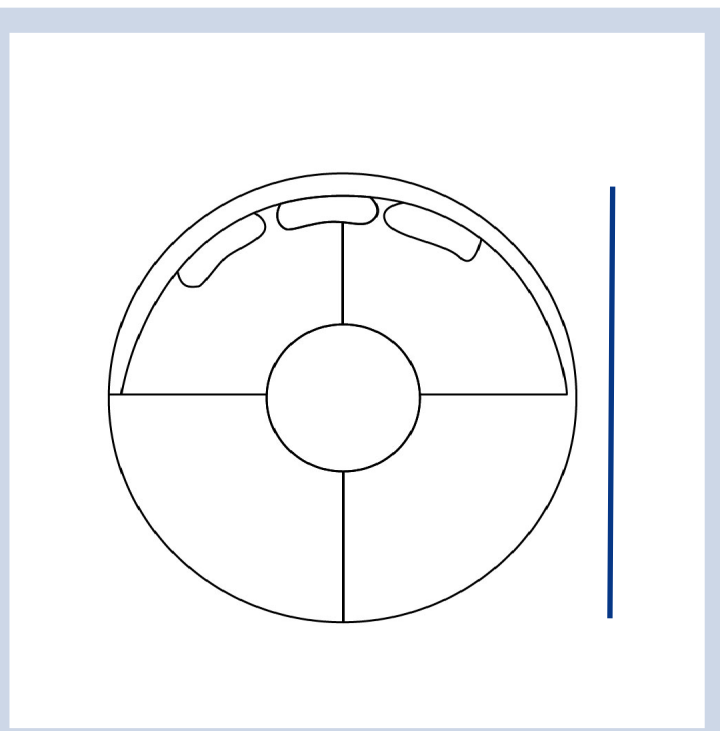
2. Front Height



5. Depth of curve



3. Total Depth



In order for you to get the most out of our extra cover features, we encourage you to upload the right image that you want the cover for, this ensures that our team design the cover that meets your needs!