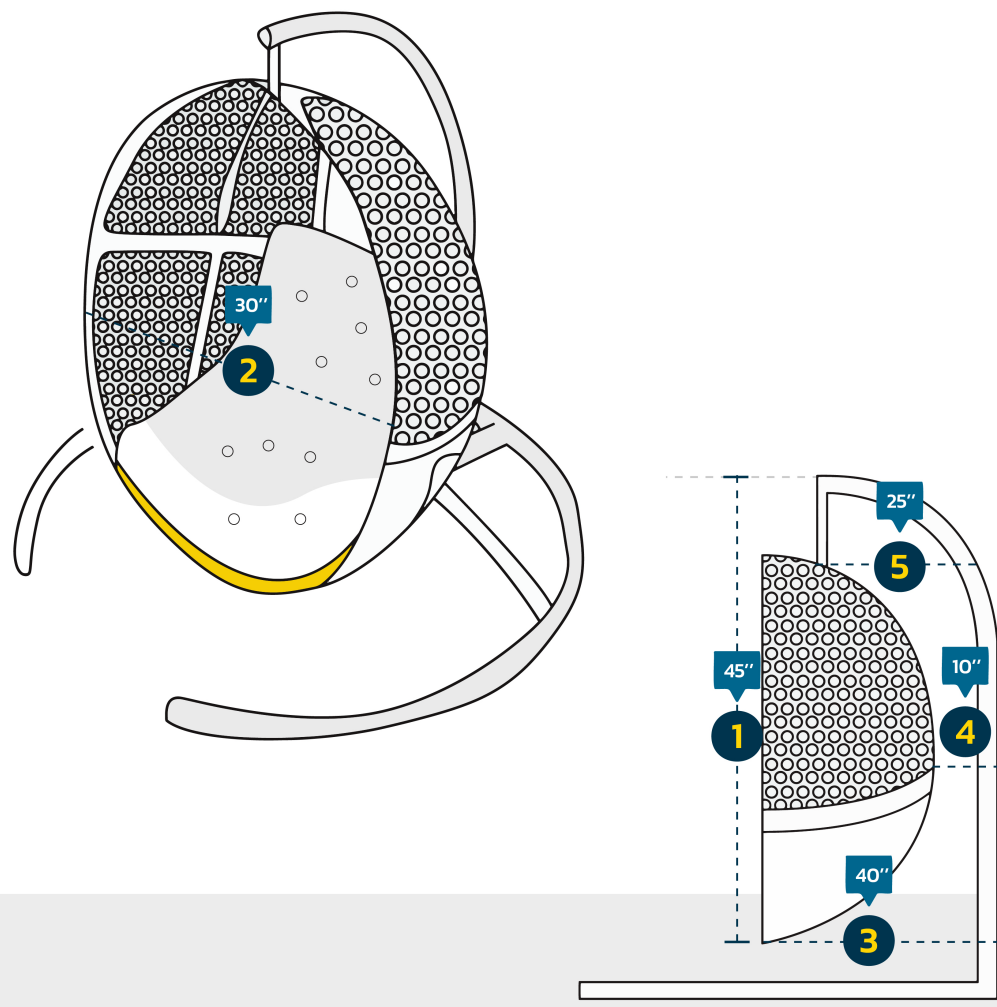


Custom Hanging Chair Cover - Model 1

Measurement Instructions

- ✓ Provide the right measurements from edge to edge of the furniture
- ✓ Height furniture dimensions provided by you will remain the same



Measurement

(inches)

1. Height from
Top Rod To
Chair End _____

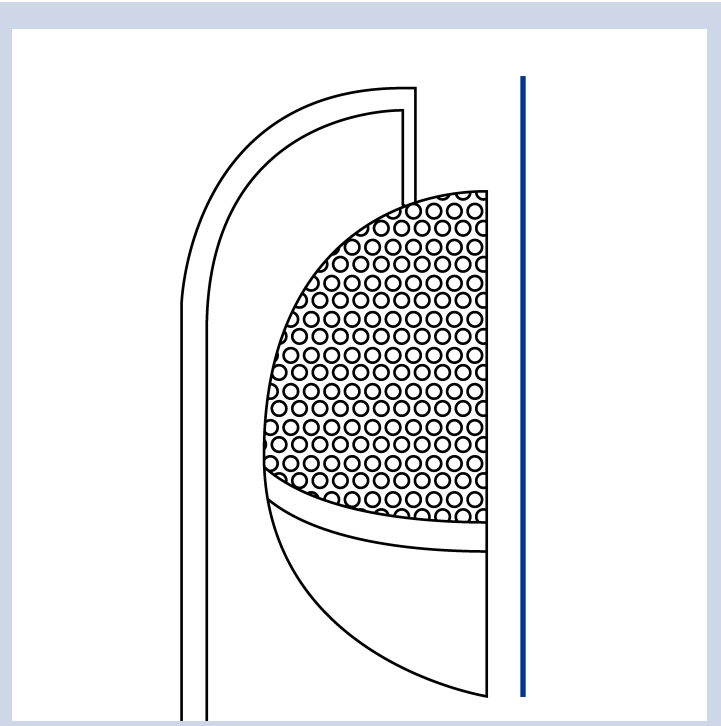
2. Width of
the Chair _____

3. Bottom
Depth Include
Back Pole _____

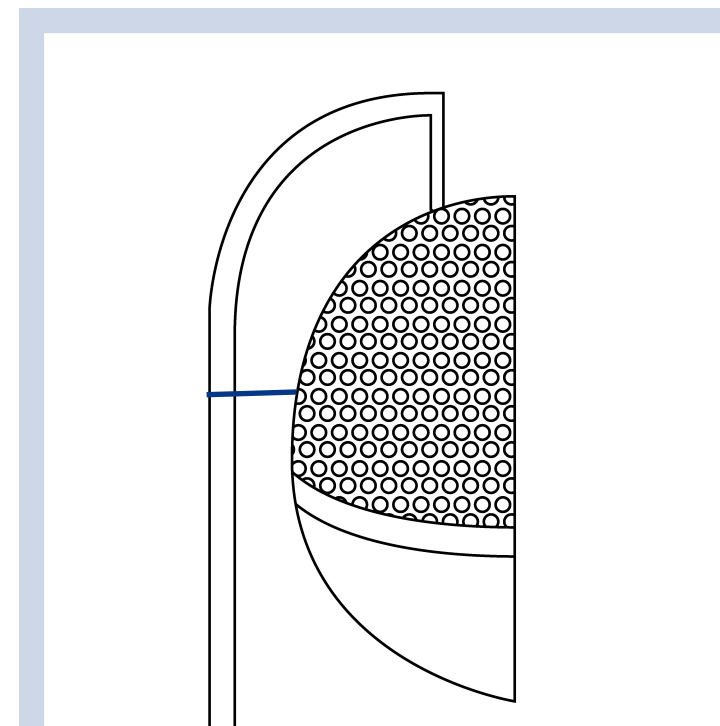
4. Middle Depth
Include Back Pole _____

5. Upper Depth
Include Back Pole _____

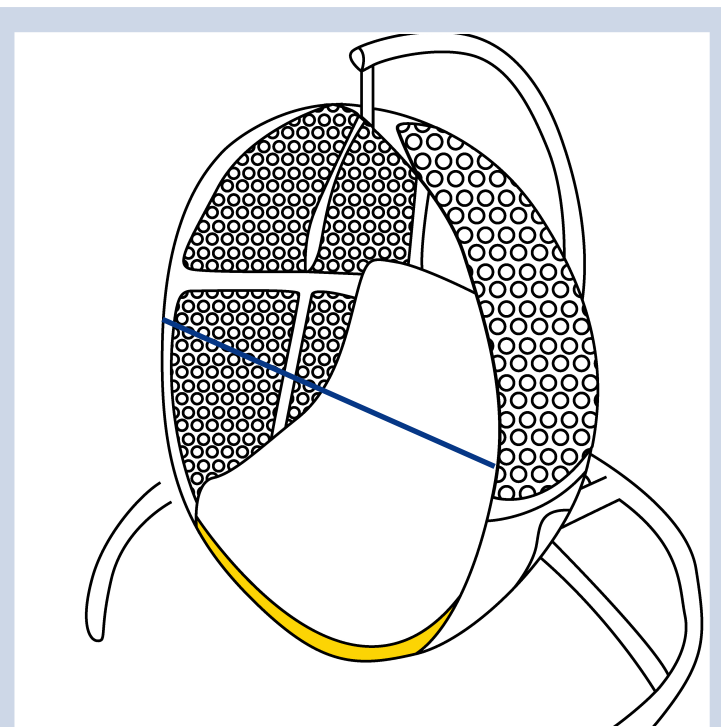
1. Height from
Top Rod To
Chair End



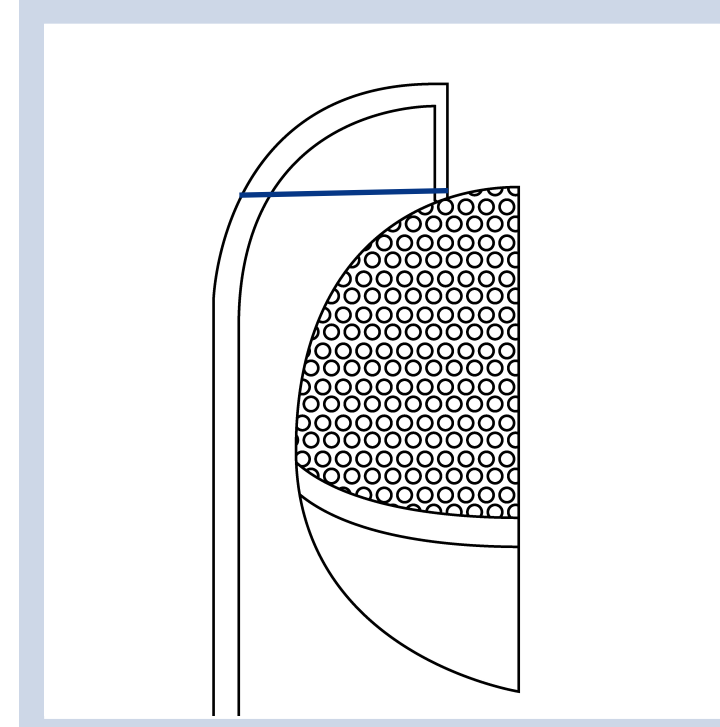
4. Middle Depth
Include Back Pole



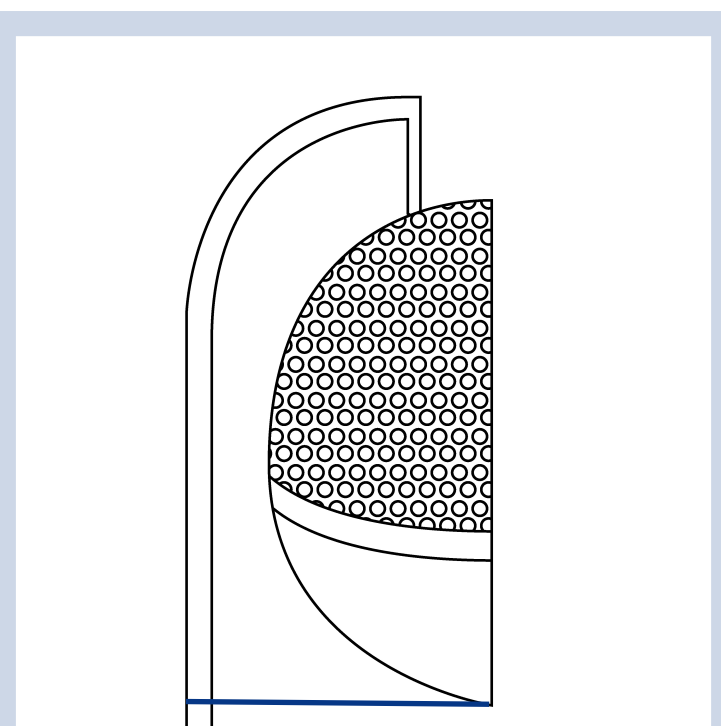
2. Width of
the Chair



5. Upper Depth
Include Back Pole



3. Bottom
Depth Include
Back Pole



In order for you to get the most out of our extra cover features, we encourage you to upload the right image that you want the cover for, this ensures that our team design the cover that meets your needs!