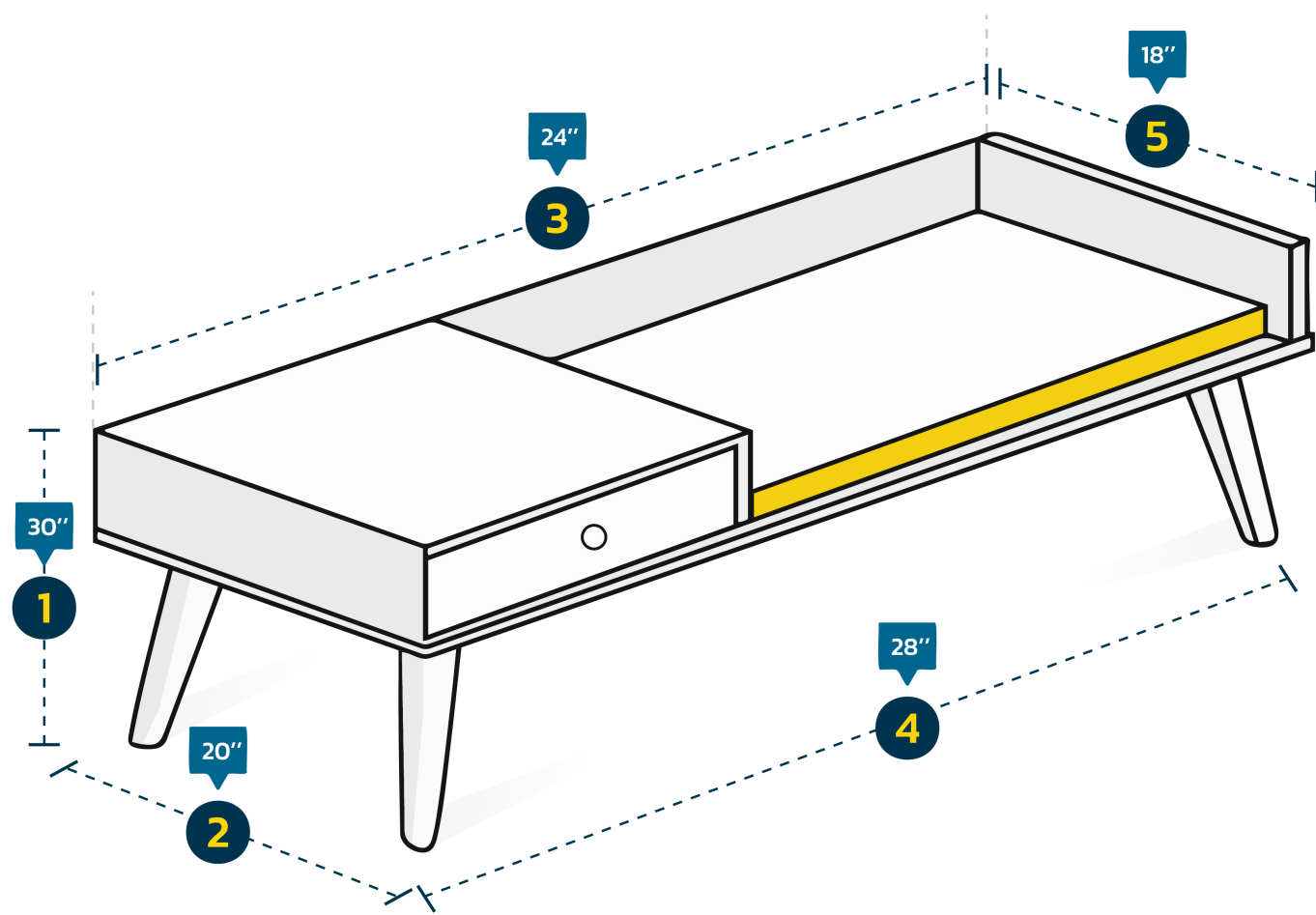


Custom Bench Cover - Model 8

Measurement Instructions

- ✓ Provide the right measurements from edge to edge of the furniture
- ✓ Height furniture dimensions provided by you will remain the same



Measurement

(inches)

1. Height _____

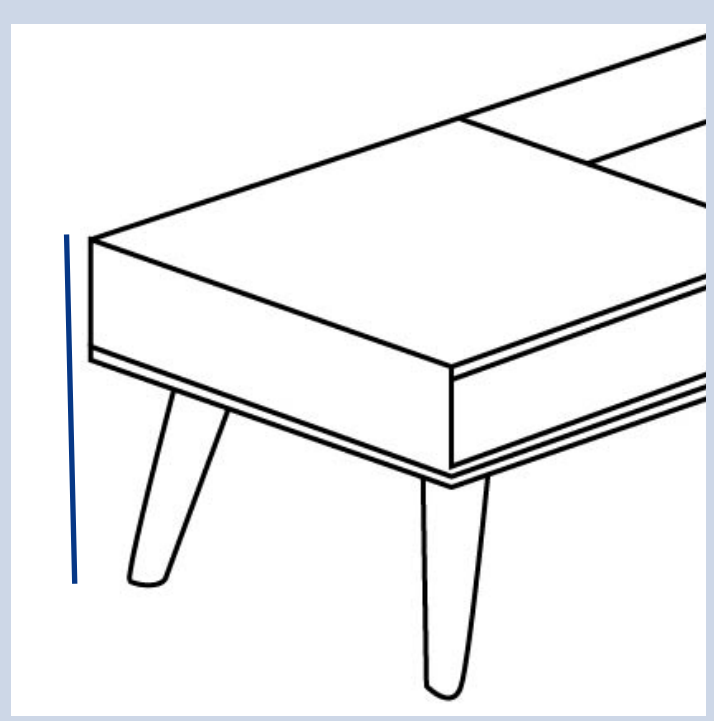
4. Bottom Width _____

2. Bottom Depth _____

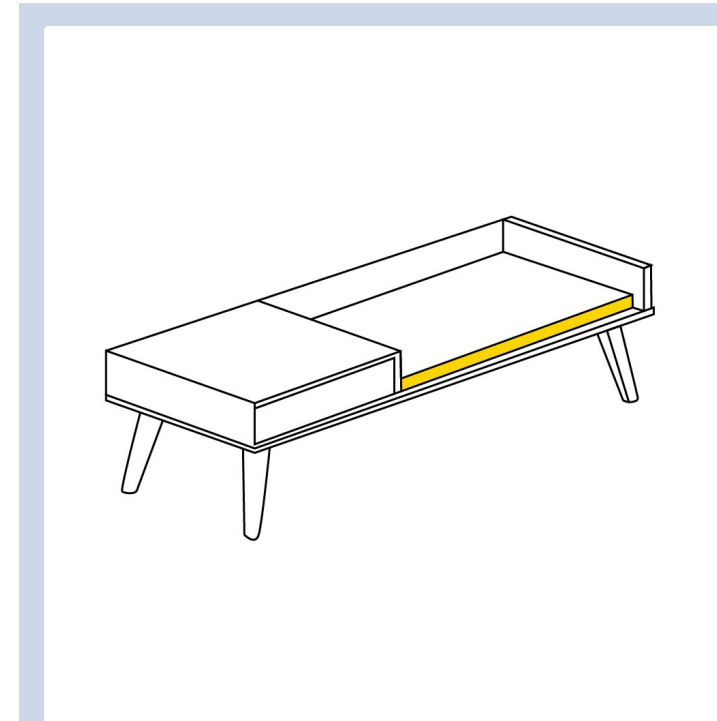
5. Top Depth _____

3. Top Width _____

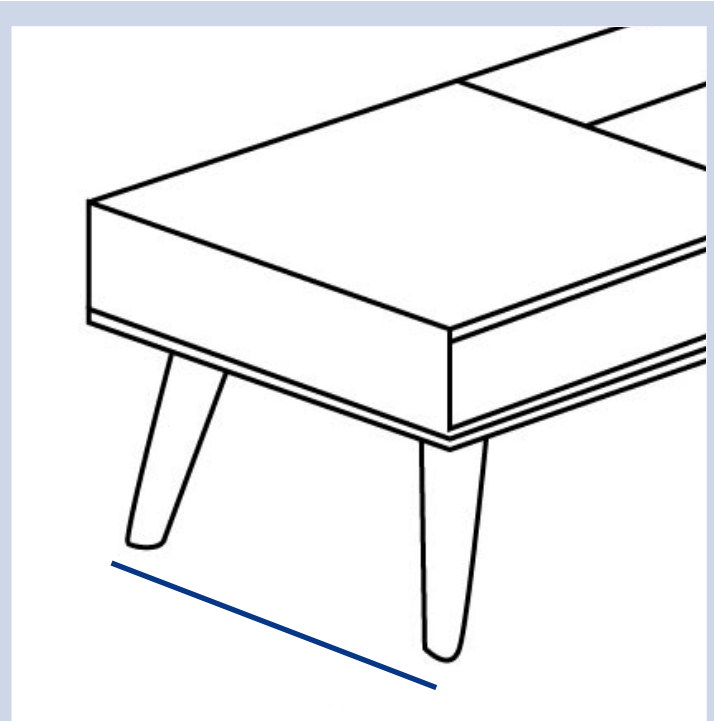
1. Height



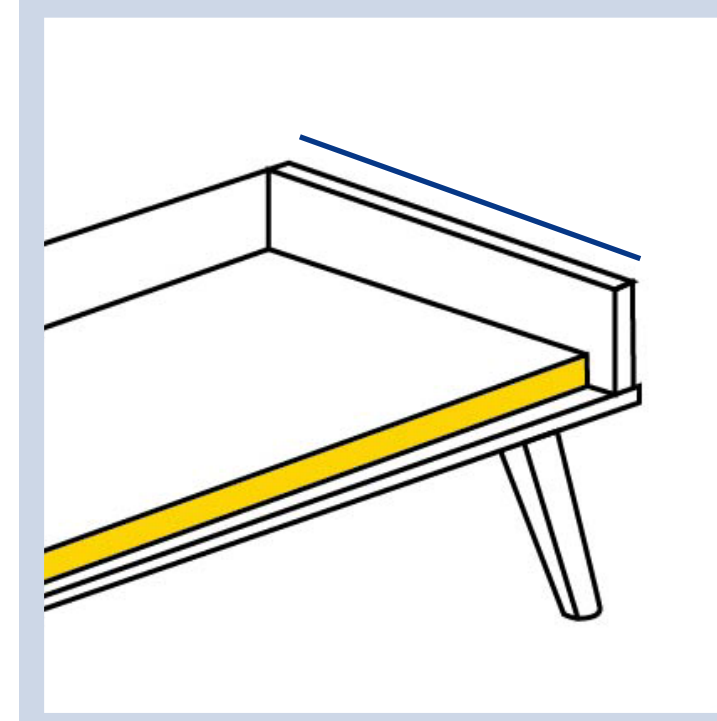
4. Bottom Width



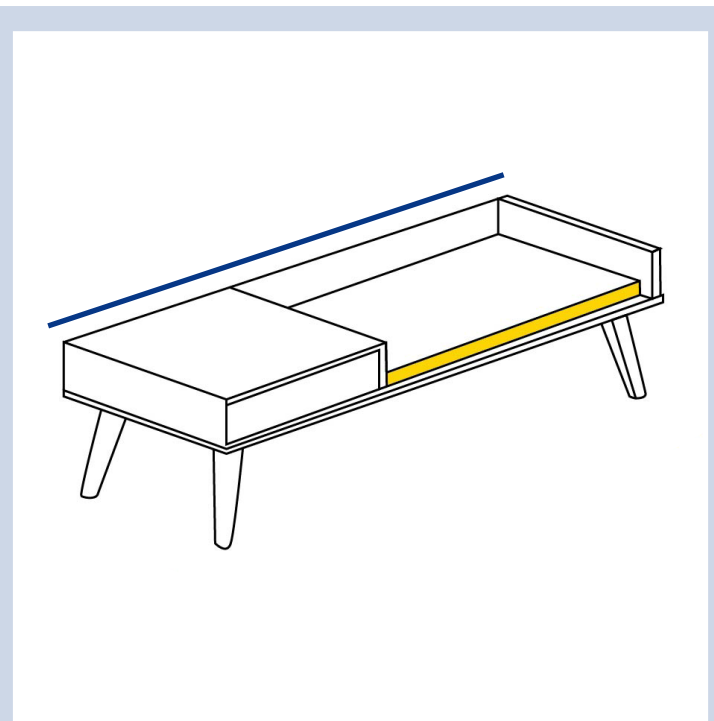
2. Bottom Depth



5. Top Depth



3. Top Width



In order for you to get the most out of our extra cover features, we encourage you to upload the right image that you want the cover for, this ensures that our team design the cover that meets your needs!