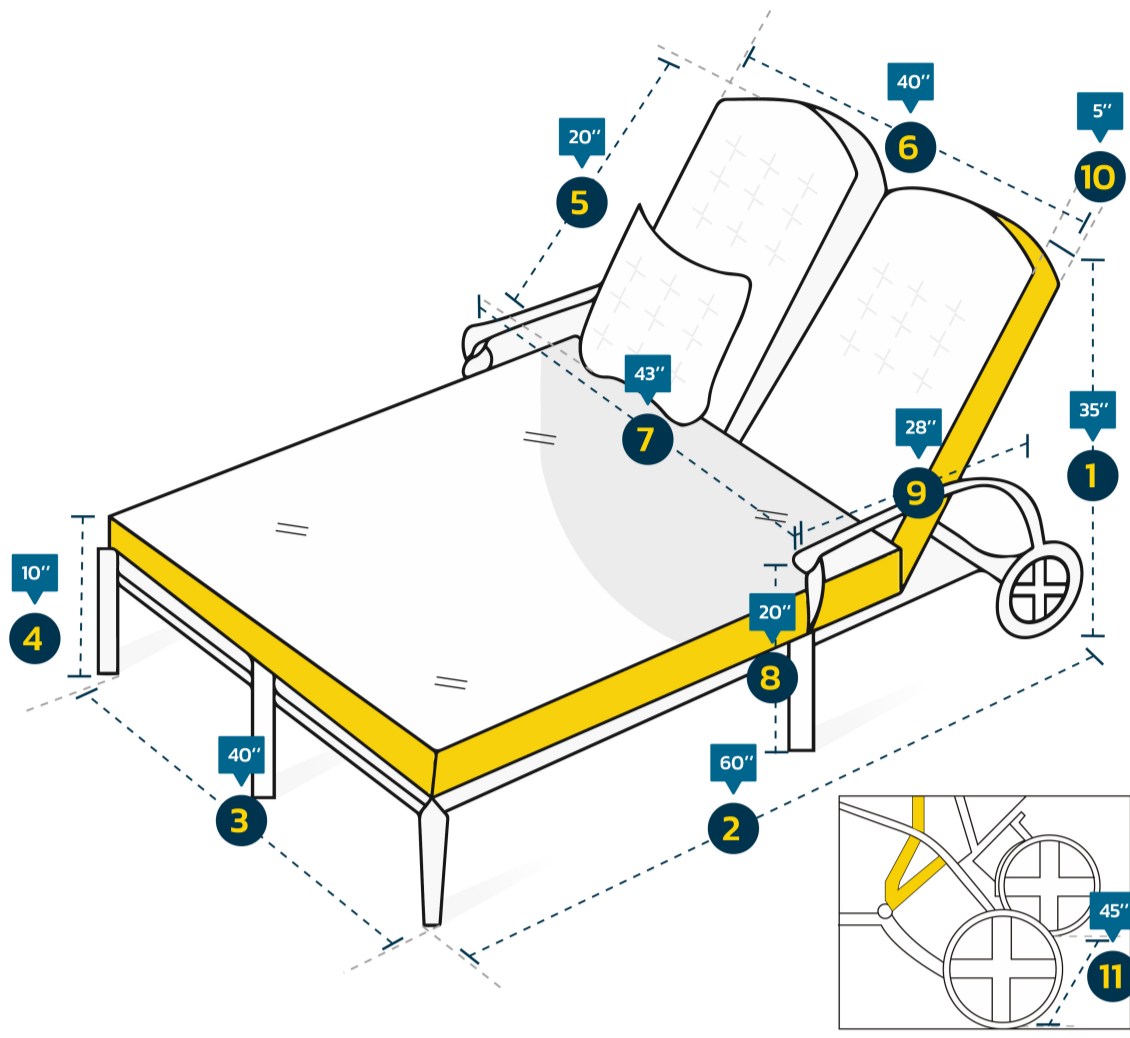


Custom Chaise Lounge Cover - Model 5

Measurement Instructions

- ✓ Provide the right measurements from edge to edge of the furniture
- ✓ Height furniture dimensions provided by you will remain the same

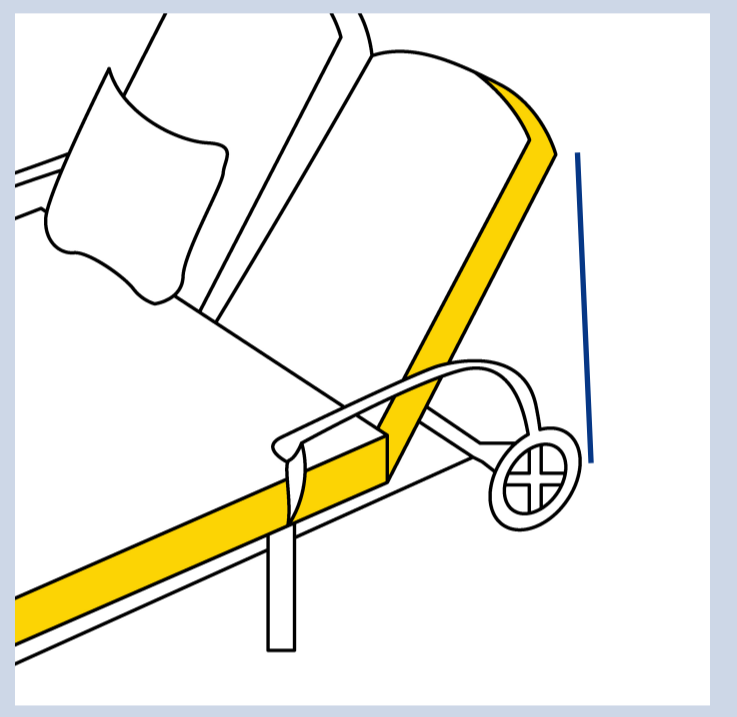


Measurement

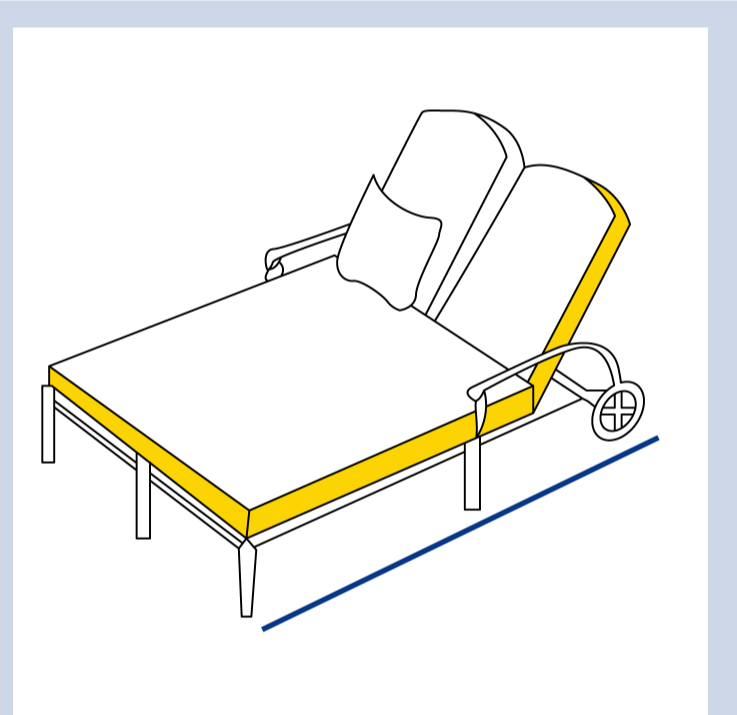
(inches)

- | | | | |
|-----------------|-------|---------------------------|-------|
| 1. Back Height | _____ | 7. Arm To Arm Width | _____ |
| 2. Depth | _____ | 8. Arm Height | _____ |
| 3. Front Width | _____ | 9. Depth from back to arm | _____ |
| 4. Front Height | _____ | 10. Cushion Depth | _____ |
| 5. Slant Height | _____ | 11. Wheel to Wheel Width | _____ |
| 6. Back Width | _____ | | |

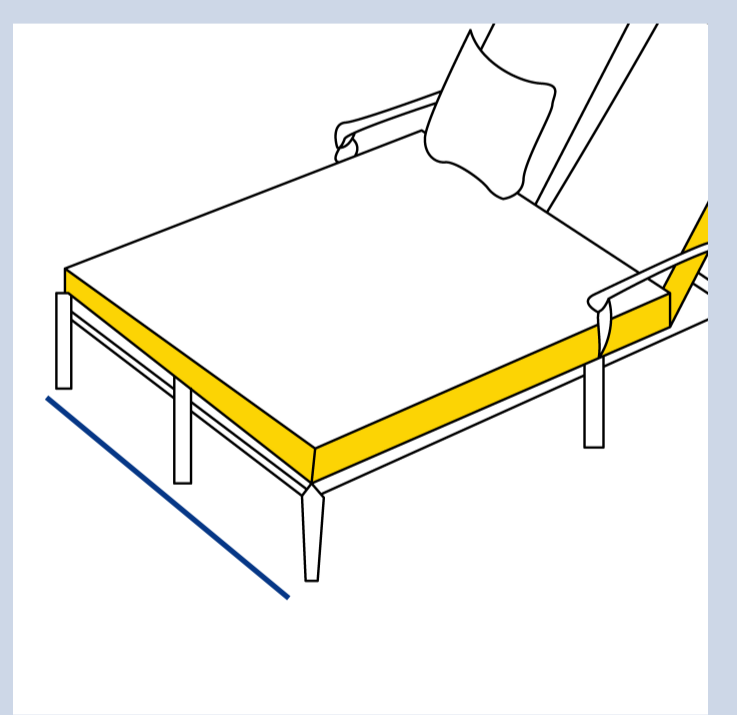
1. Back Height



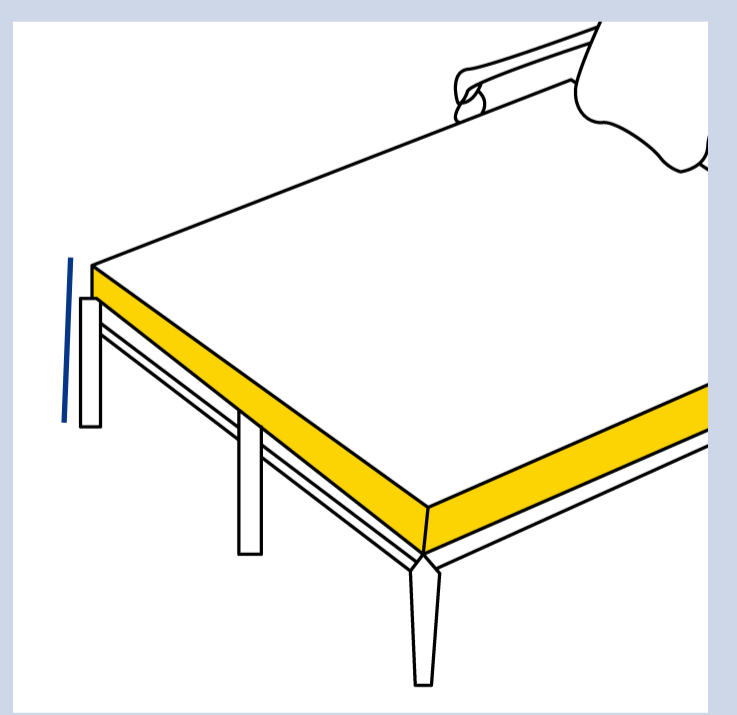
2. Depth



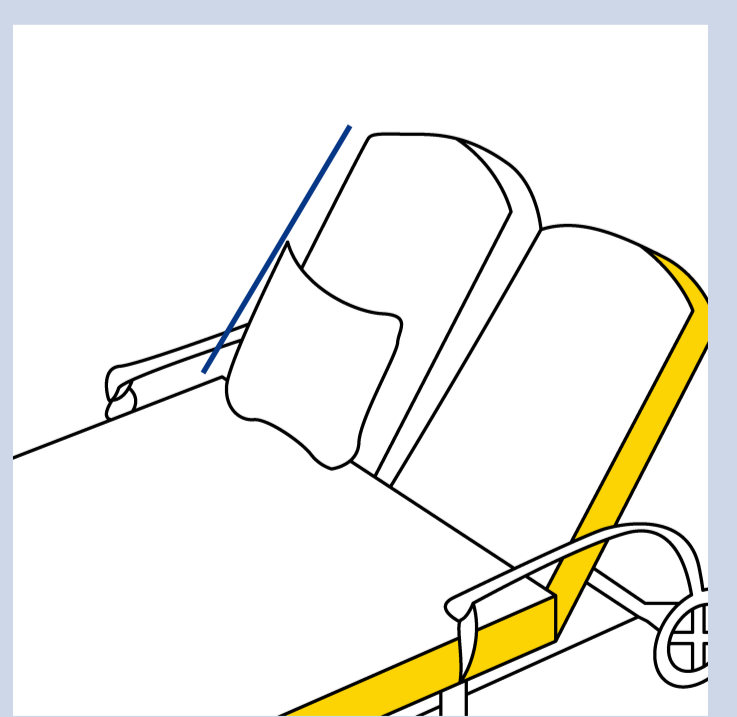
3. Front Width



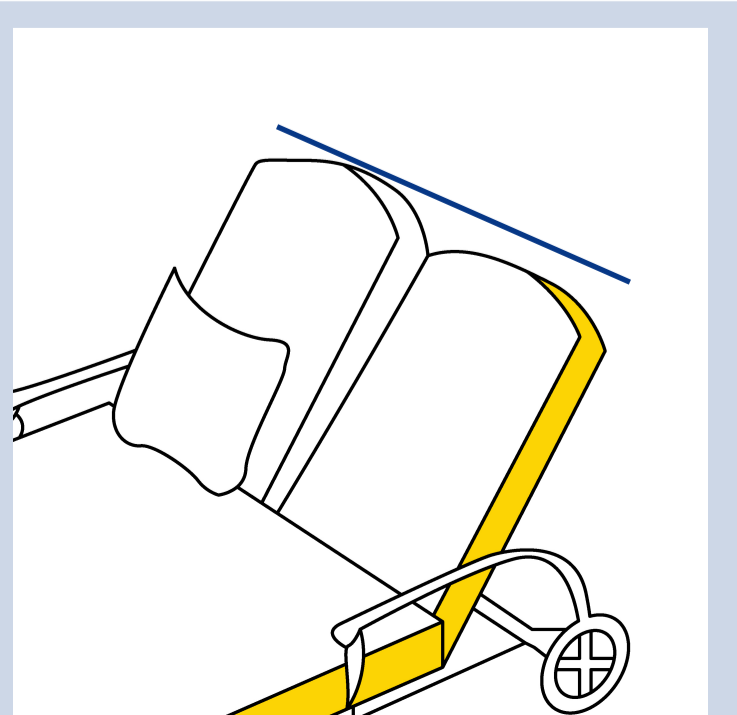
4. Front Height



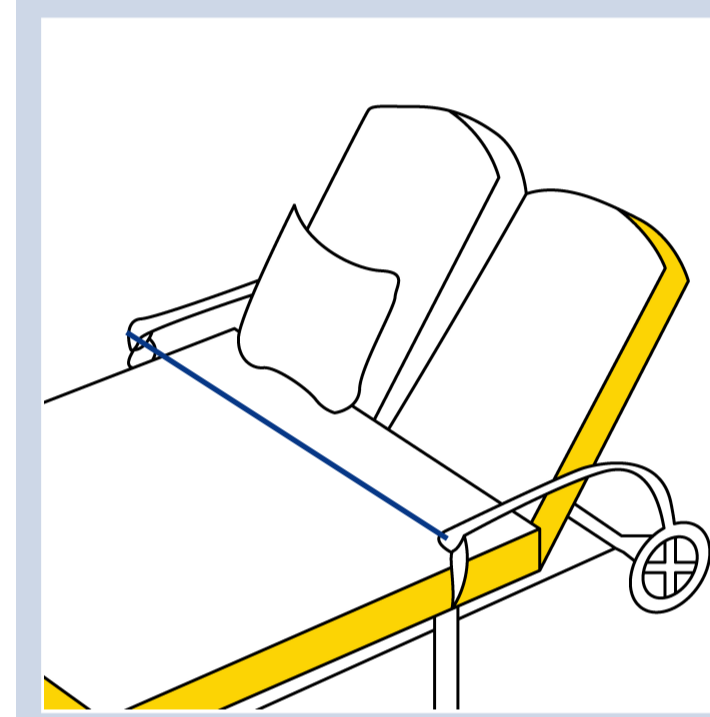
5. Slant Height



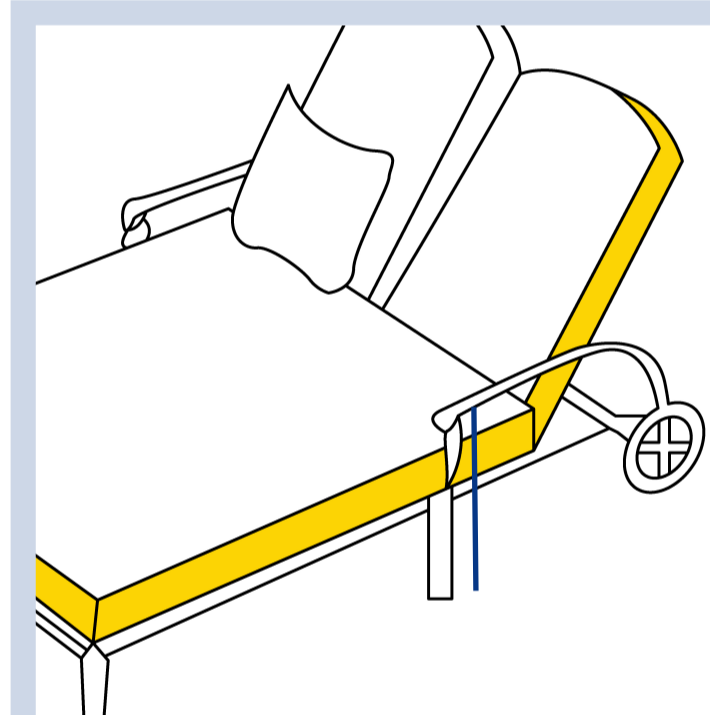
6. Back Width



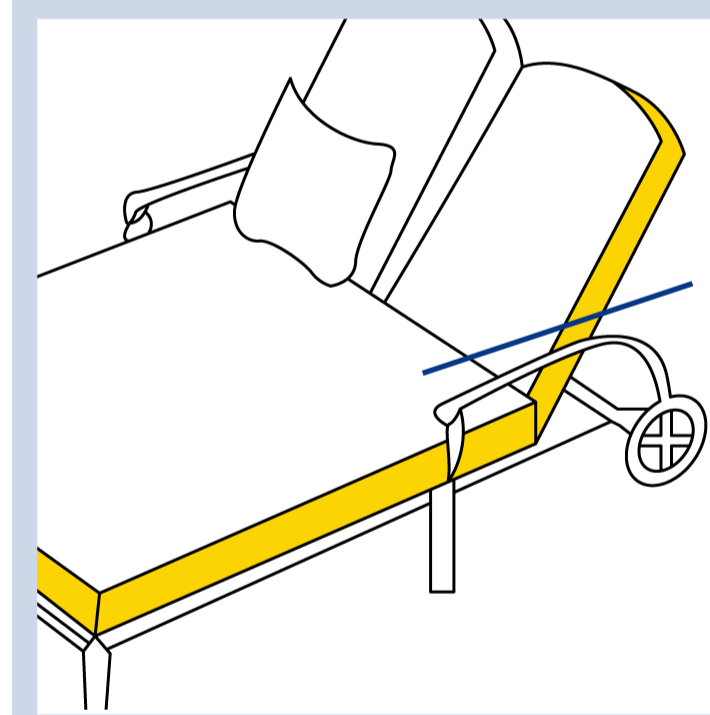
7. Arm To Arm Width



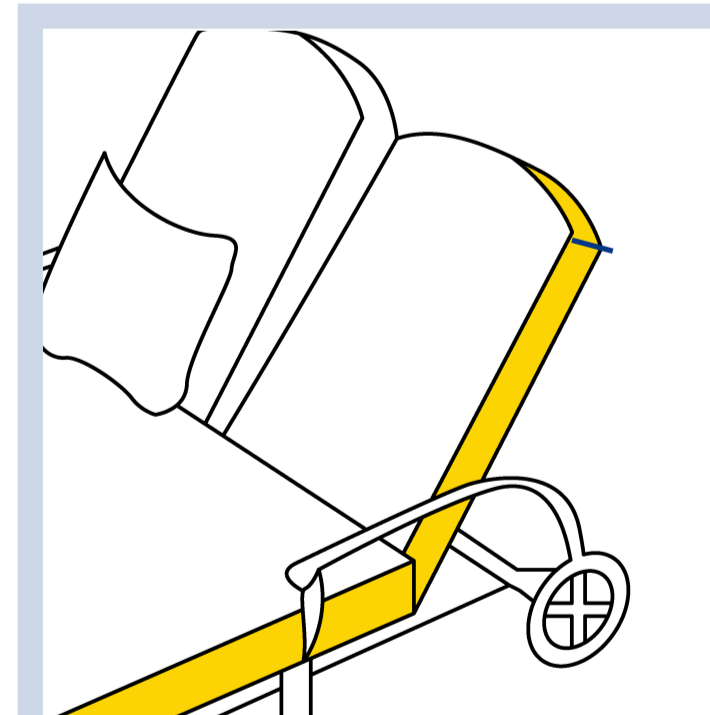
8. Arm Height



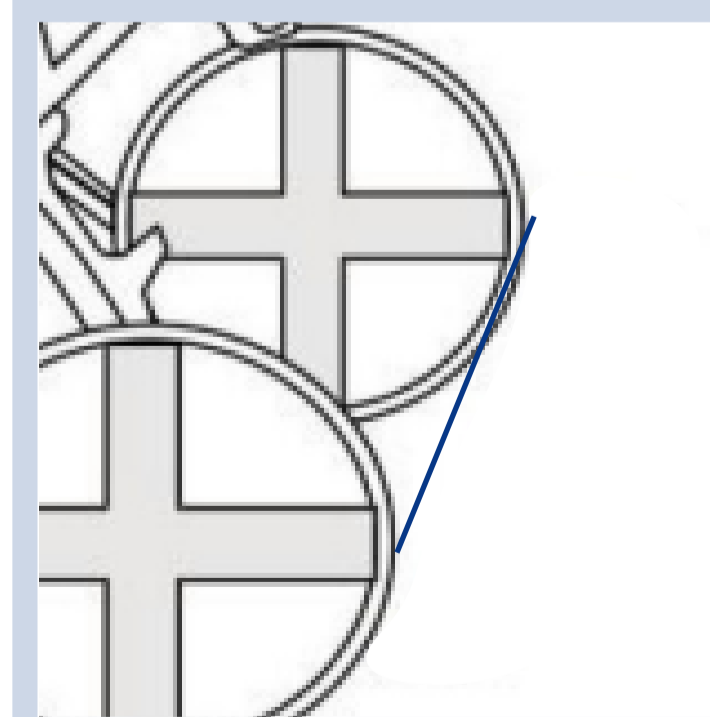
9. Depth from back to arm



10. Cushion Depth



11. Wheel to Wheel Width



In order for you to get the most out of our extra cover features, we encourage you to upload the right image that you want the cover for, this ensures that our team design the cover that meets your needs!