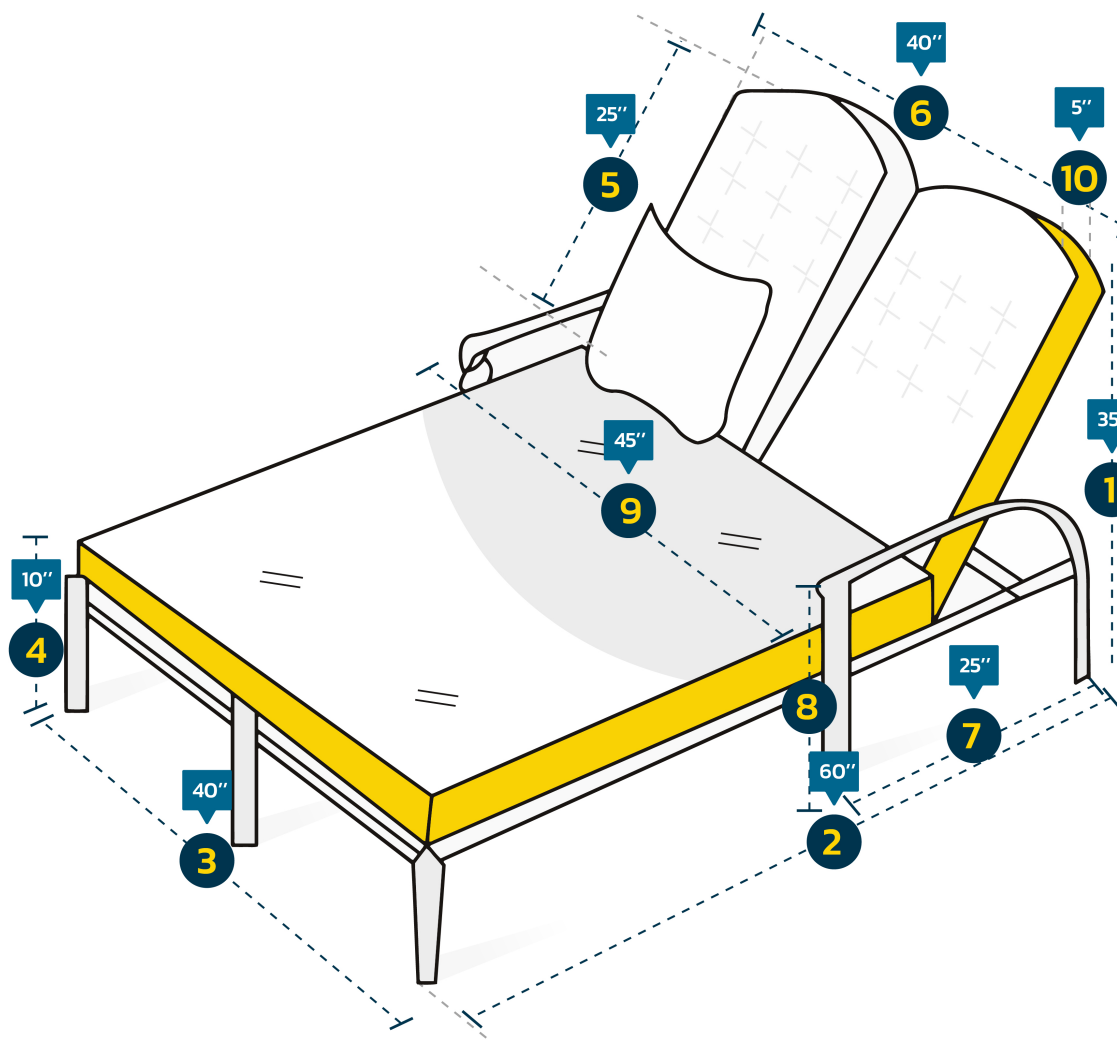


## Custom Chaise Lounge Cover - Model 3

### Measurement Instructions

- ✓ Provide the right measurements from edge to edge of the furniture
- ✓ Height furniture dimensions provided by you will remain the same



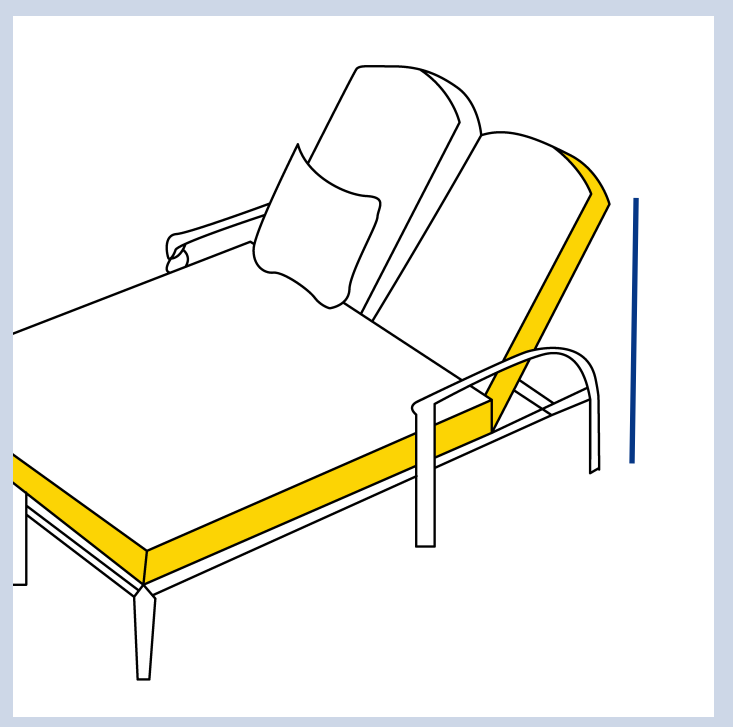
#### Measurement

(inches)

- |                 |       |                      |       |
|-----------------|-------|----------------------|-------|
| 1. Back Height  | _____ | 6. Back Width        | _____ |
| 2. Depth        | _____ | 7. Arm Height        | _____ |
| 3. Front Width  | _____ | 8. Arm Depth         | _____ |
| 4. Front Height | _____ | 9. Cushion Depth     | _____ |
| 5. Slant Height | _____ | 10. Arm To Arm Width | _____ |

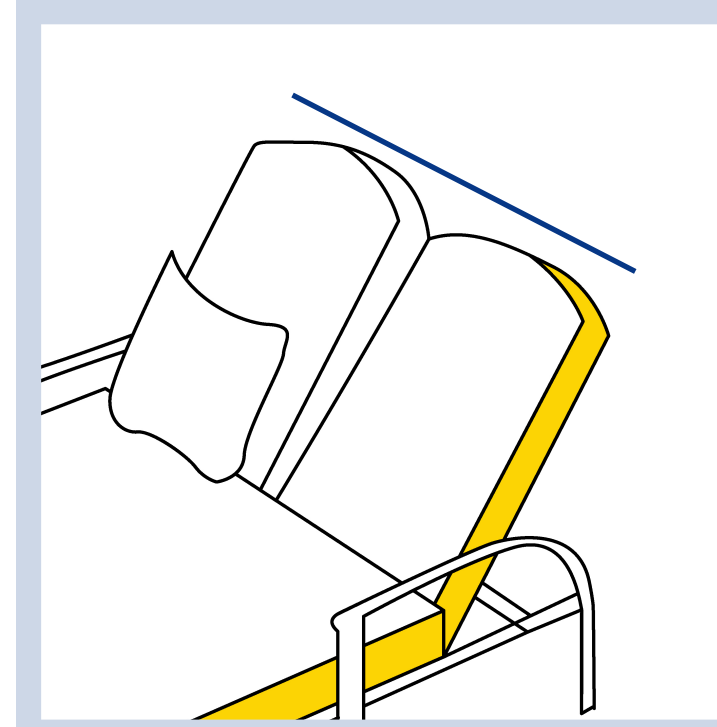
1. Back Height  
Back Height of the Chaise

\_\_\_\_\_



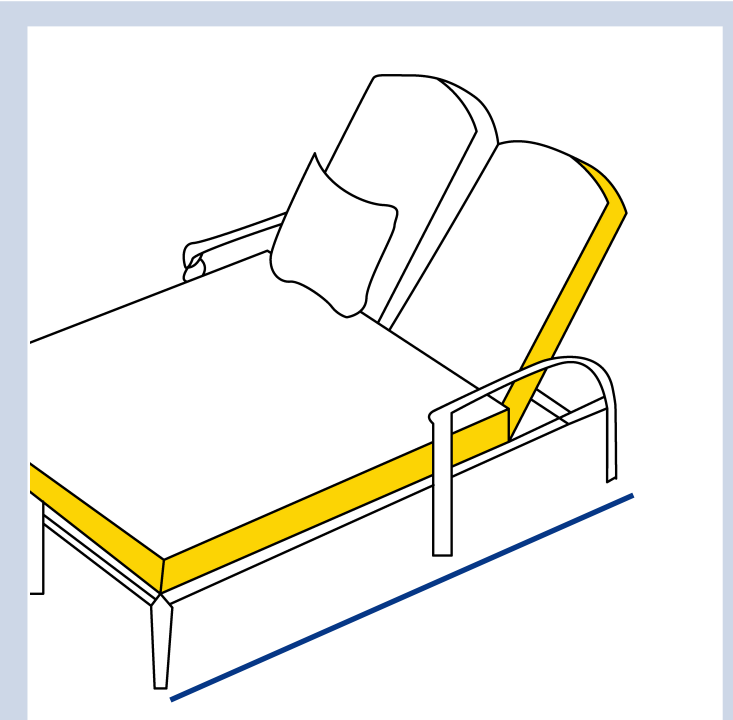
6. Back Width  
Top Width of the chaise

\_\_\_\_\_



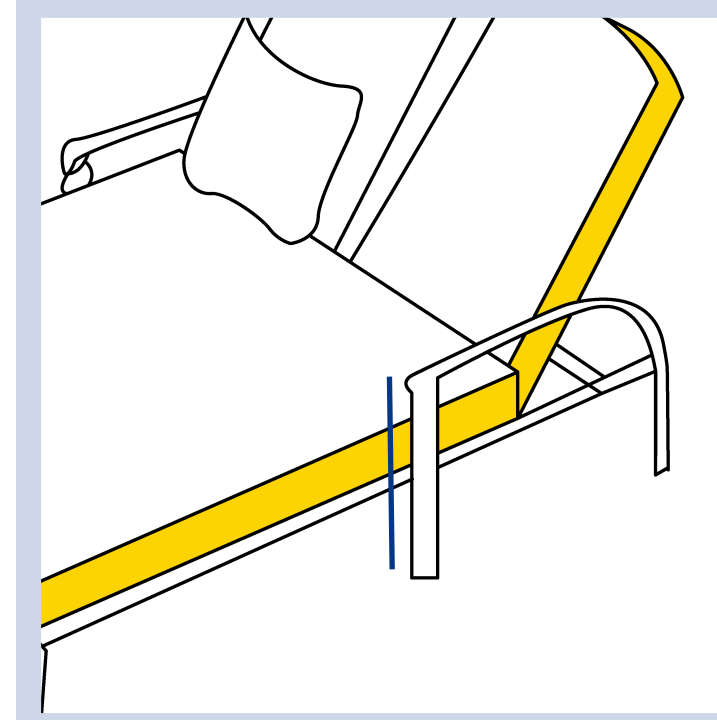
2. Depth  
Depth of the Chaise

\_\_\_\_\_



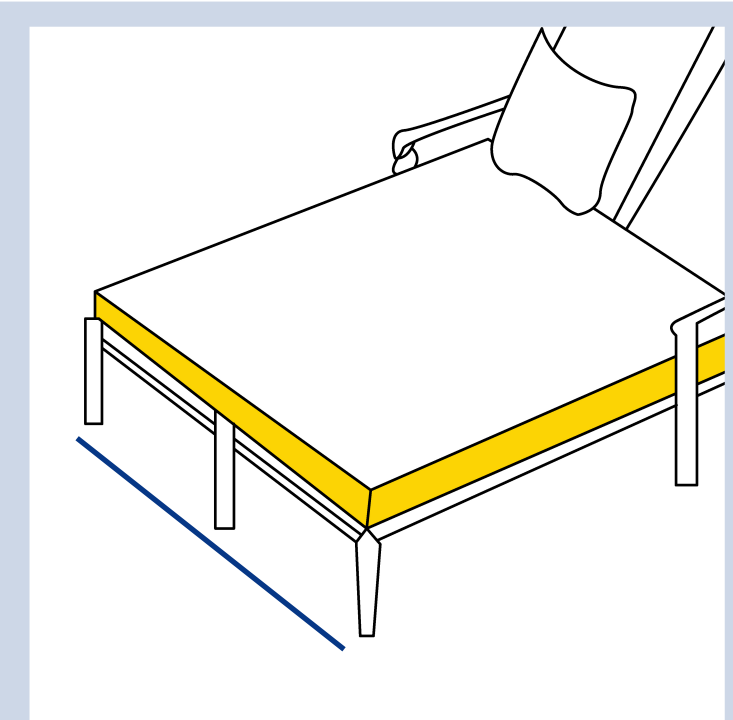
7. Arm Height  
Slant Height of the Chaise

\_\_\_\_\_



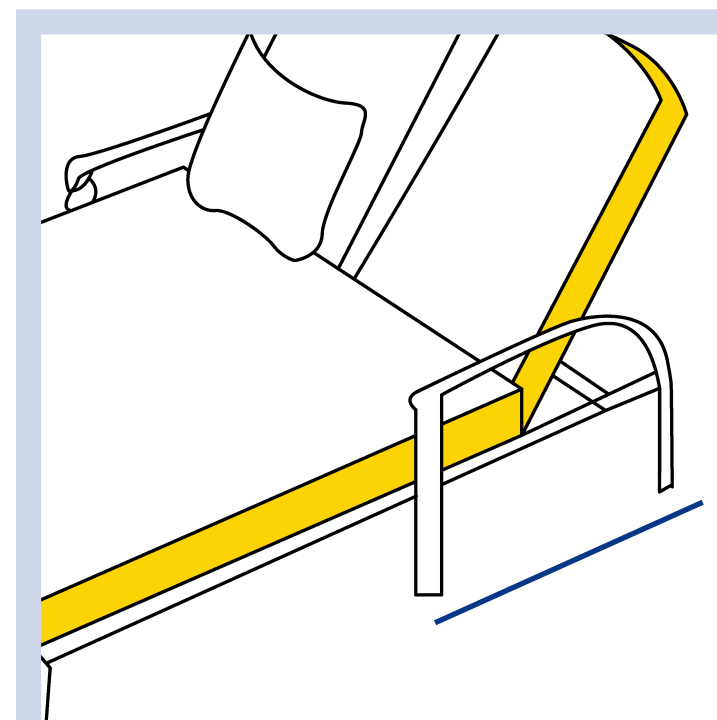
3. Front Width  
Front Width of the Chaise

\_\_\_\_\_



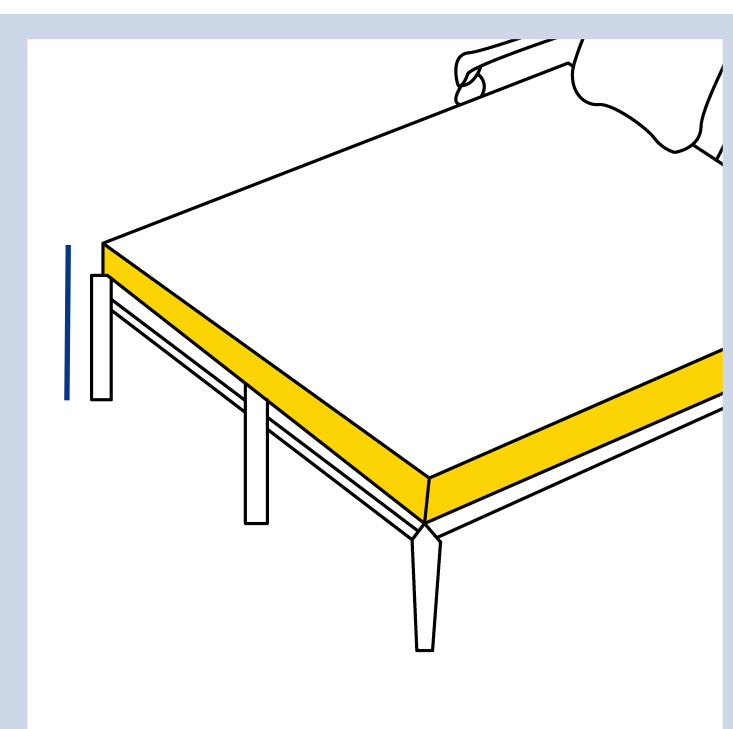
8. Arm Depth  
Back width of the Chaise

\_\_\_\_\_



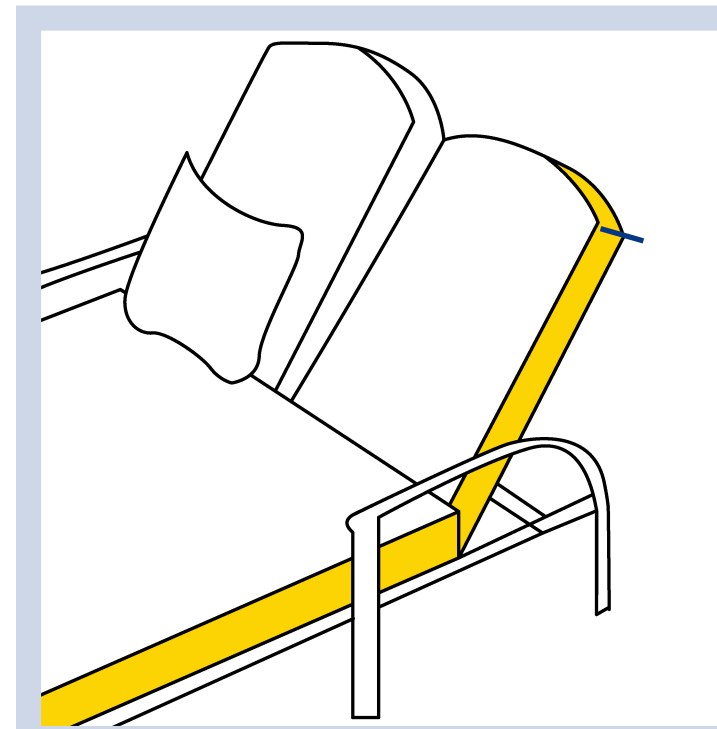
4. Front Height  
Front Height of the Chaise

\_\_\_\_\_



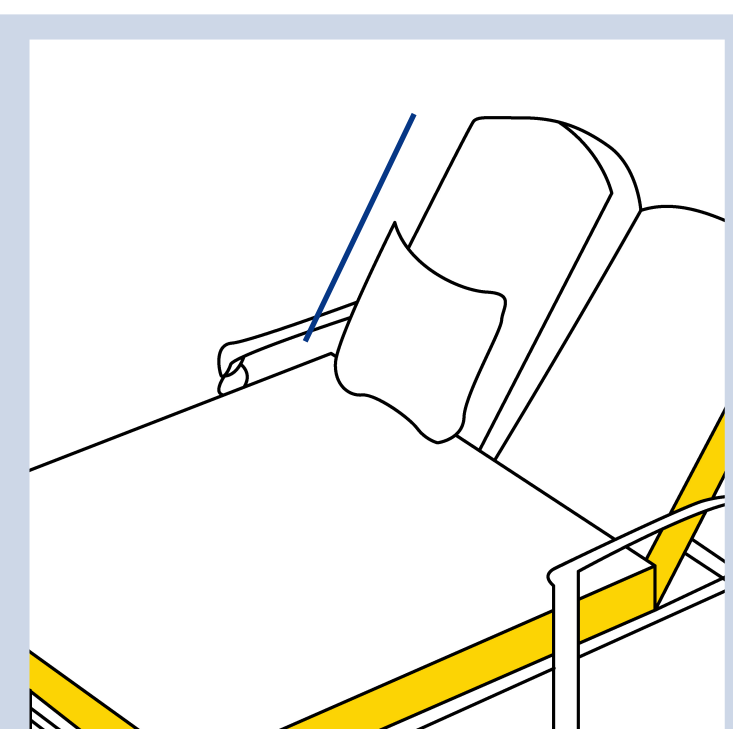
9. Cushion Depth  
Slant Height of the Chaise

\_\_\_\_\_



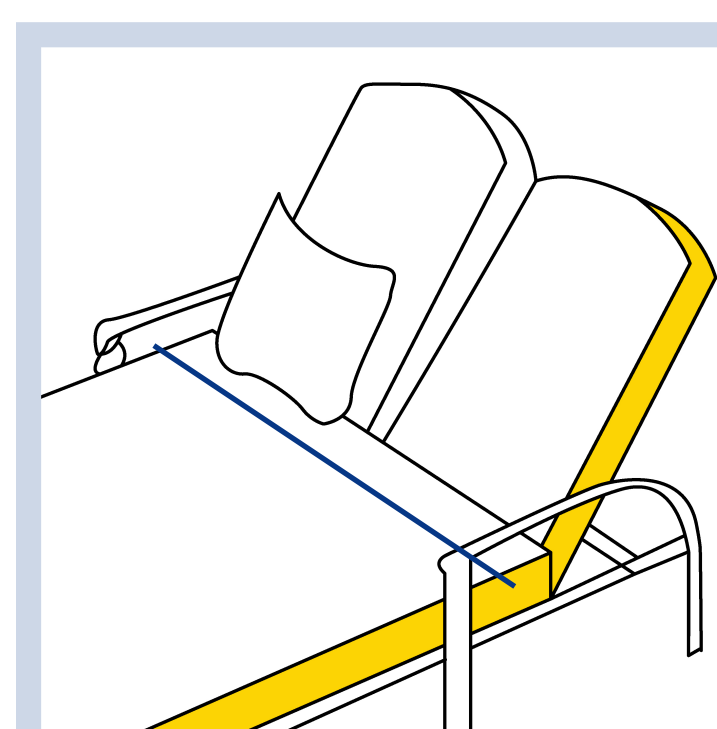
5. Slant Height  
Front Width of the Chaise

\_\_\_\_\_



10. Arm To Arm Width  
Back width of the Chaise

\_\_\_\_\_



In order for you to get the most out of our extra cover features, we encourage you to upload the right image that you want the cover for, this ensures that our team design the cover that meets your needs!