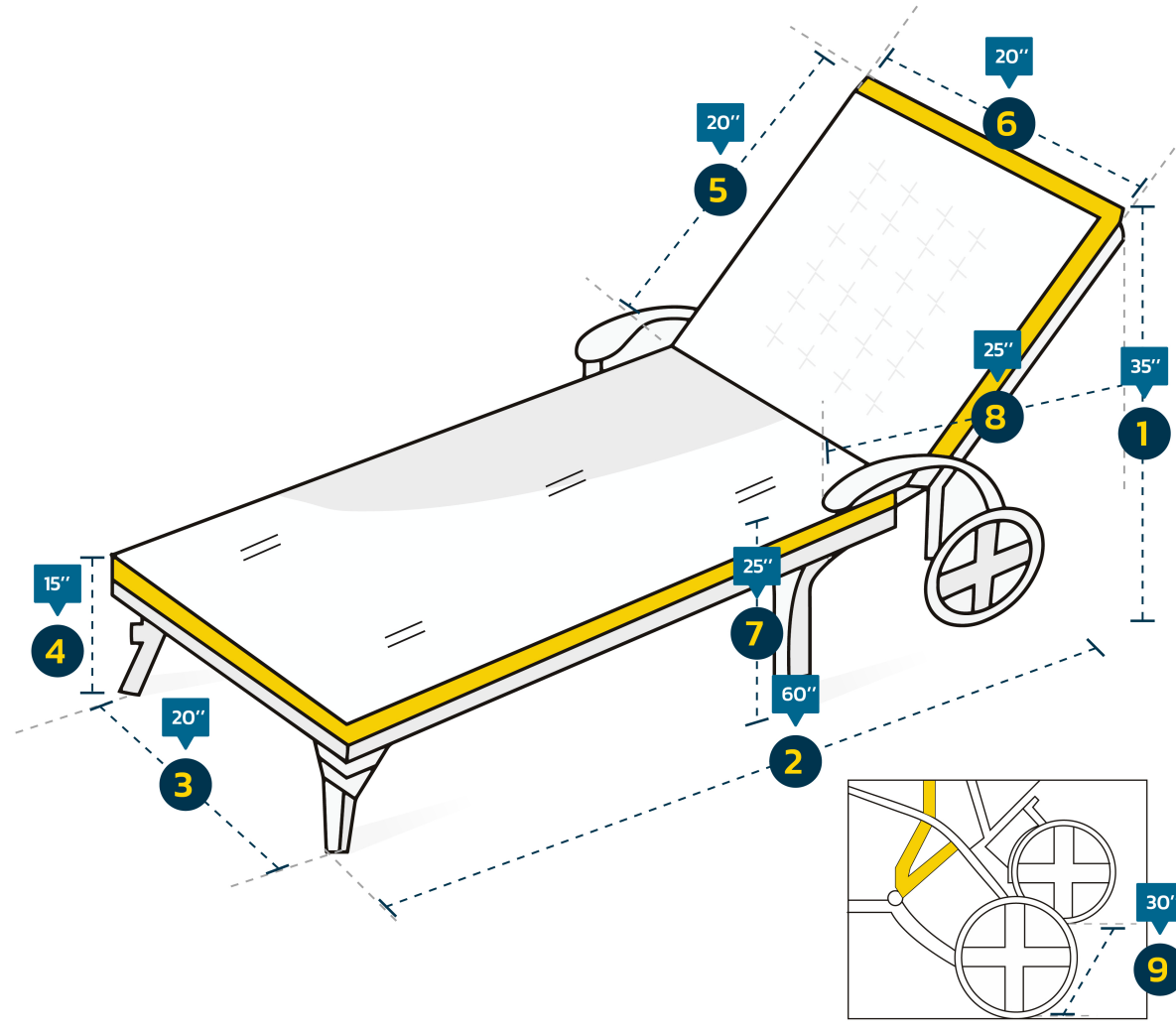


Custom Chaise Lounge Cover - Model 2

Measurement Instructions

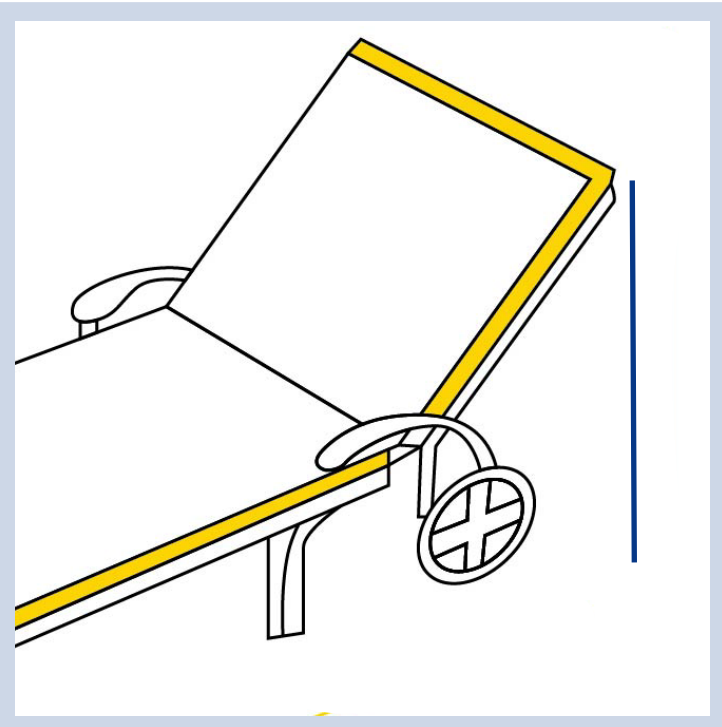
- ✓ Provide the right measurements from edge to edge of the furniture
- ✓ Height furniture dimensions provided by you will remain the same



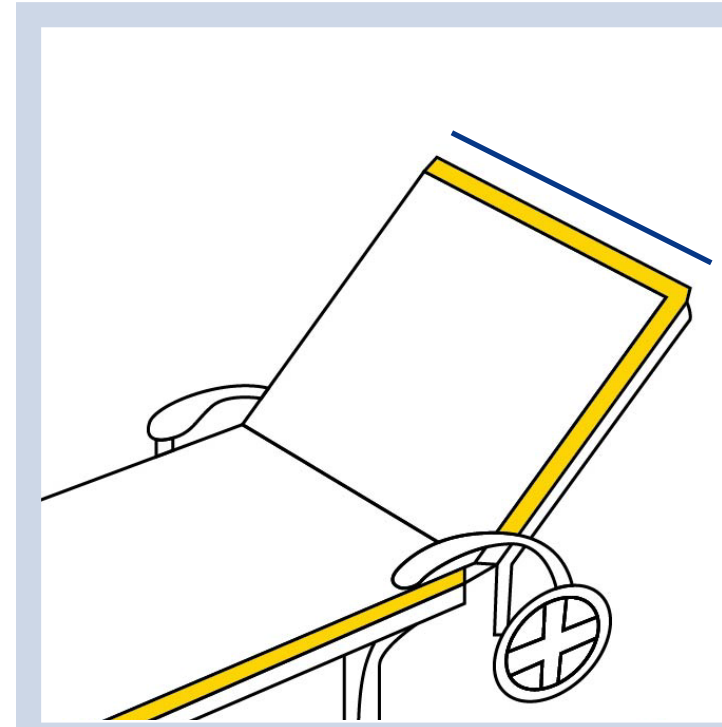
Measurement (inches)

- | | | | |
|---------------------|-------|----------------|-------|
| 1. Back Height | _____ | 5. Front Width | _____ |
| 2. Arm to arm width | _____ | 6. Arm Depth | _____ |
| 3. Front Height | _____ | 7. Front Width | _____ |
| 4. Total Depth | _____ | | |

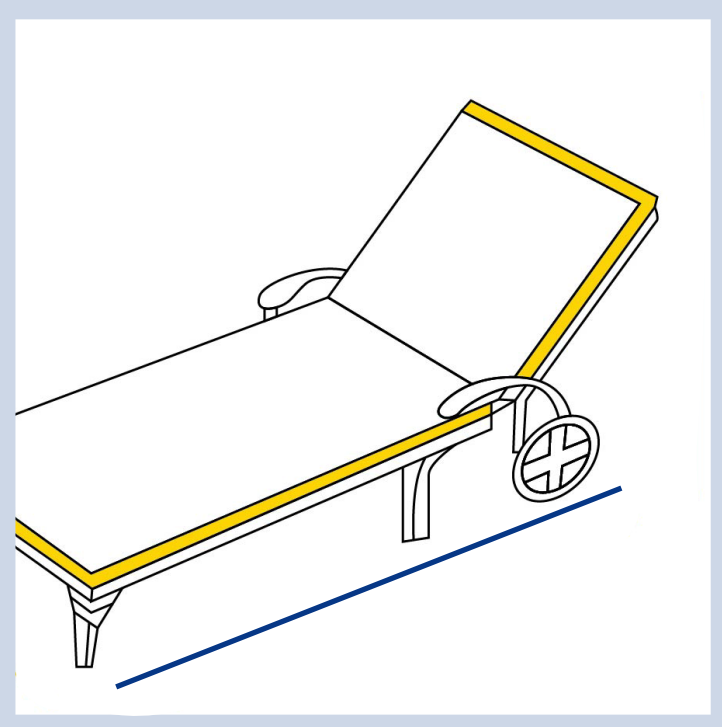
1. Back Height
Back Height of the Chaise



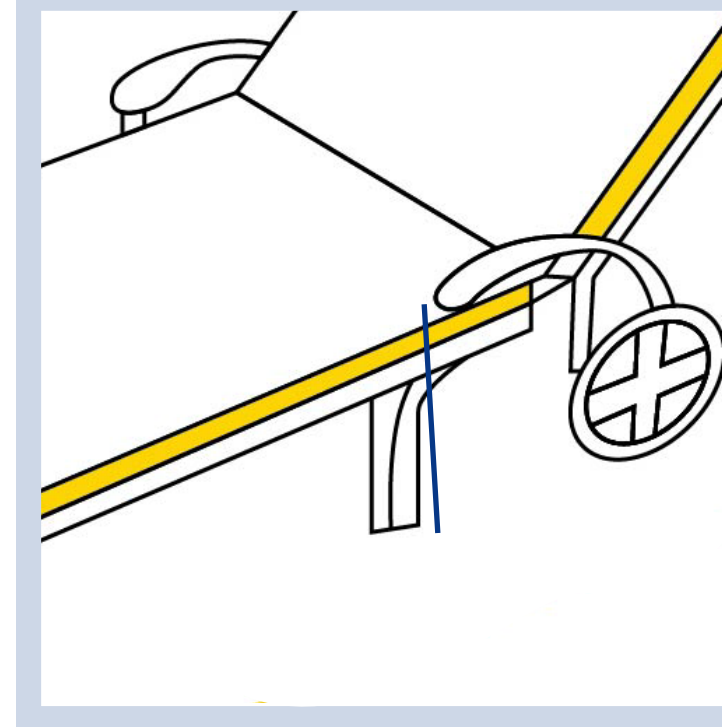
6. Top Width
Top Width of the chaise



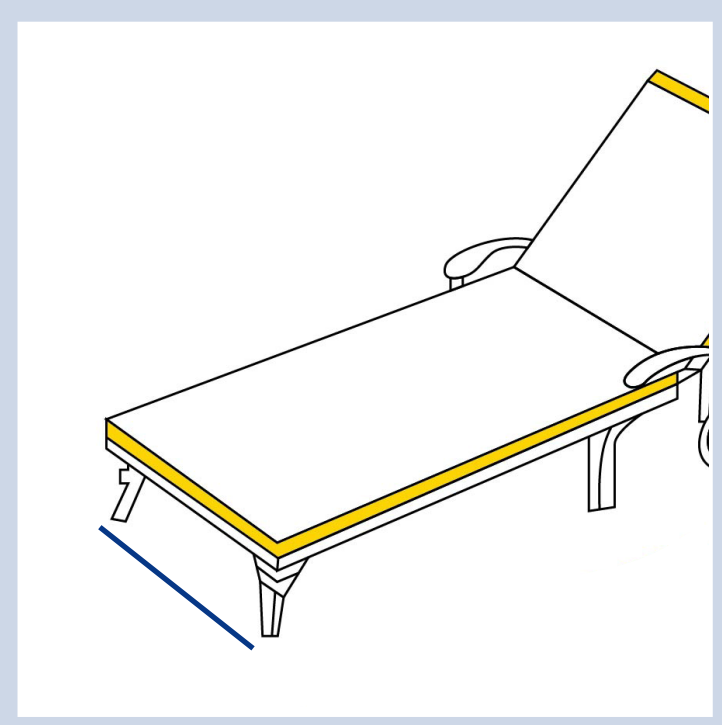
2. Total Depth
Total Depth of the Chaise



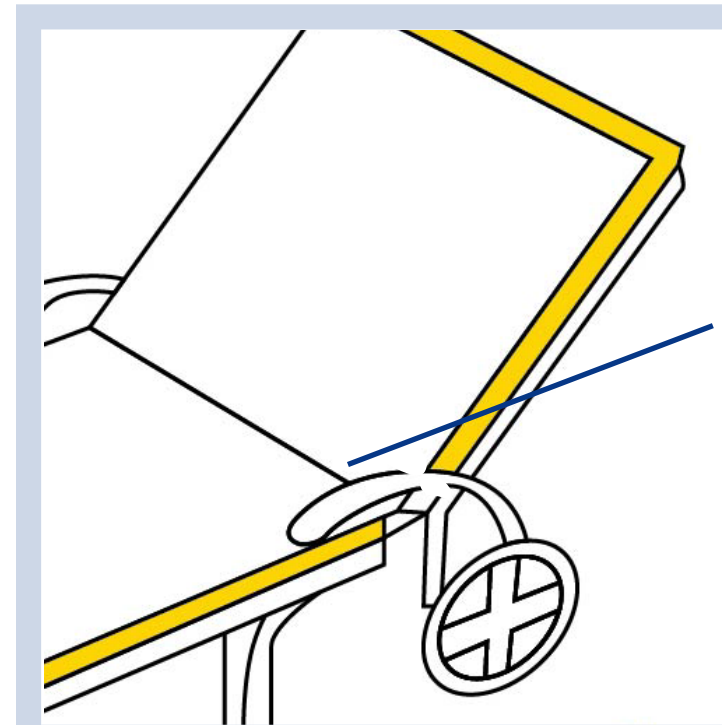
7. Arm Height
Arm Height of the Chaise



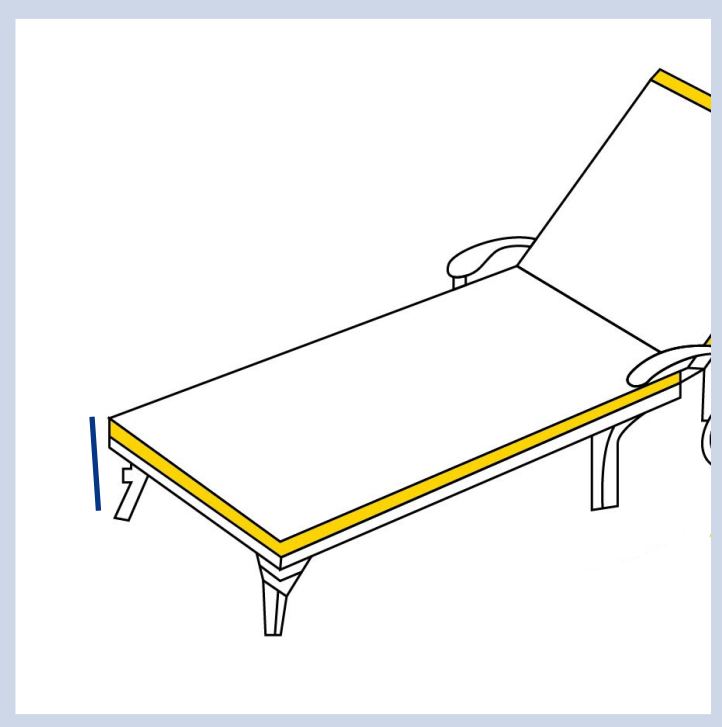
3. Front Width
Front Width of the Chaise



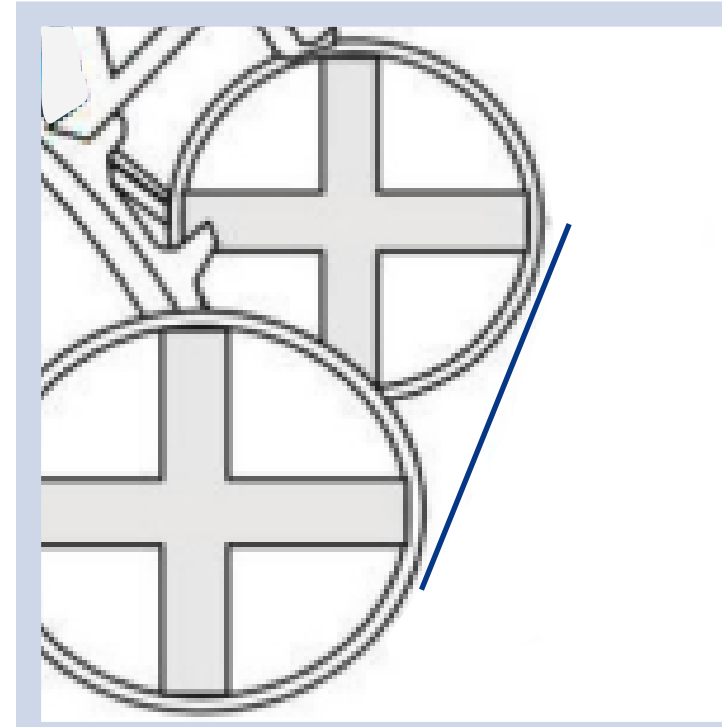
8. Arm Depth
Arm Depth of the Chaise



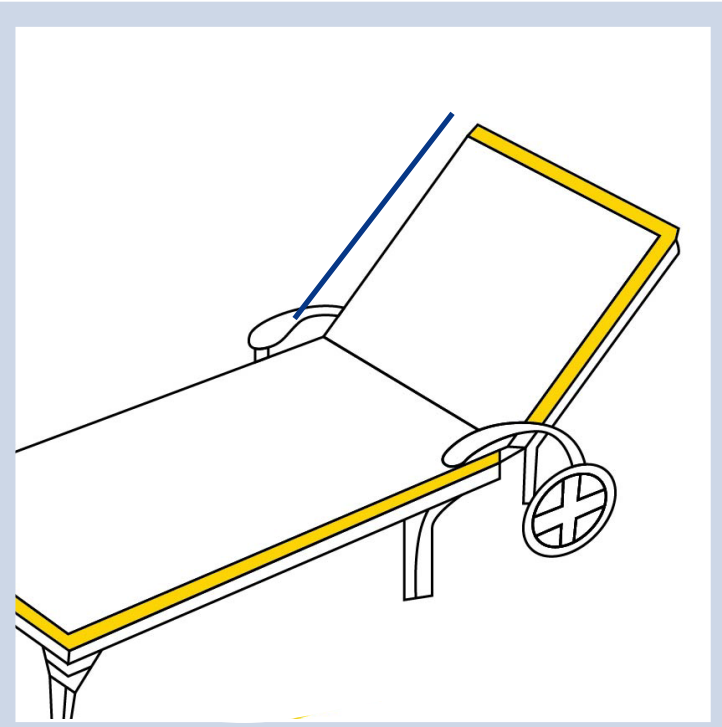
4. Front Height
Front Height of the Chaise



9. Wheel to Wheel width
Wheel to Wheel width of the Chaise



5. Slant Height
Slant Height of the Chaise



In order for you to get the most out of our extra cover features, we encourage you to upload the right image that you want the cover for, this ensures that our team design the cover that meets your needs!