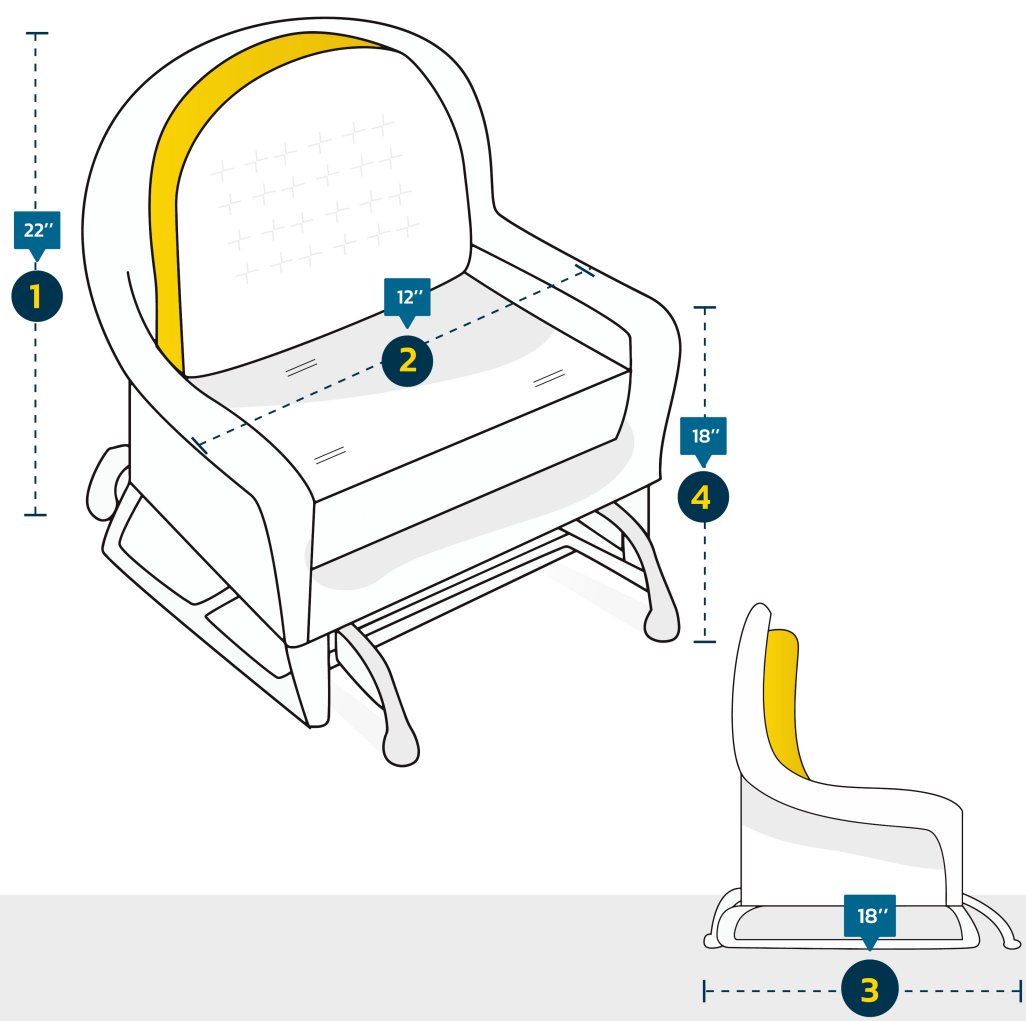


Custom Chair Cover - Model 10

Measurement Instructions

- ✓ Provide the right measurements from edge to edge of the furniture
- ✓ Height furniture dimensions provided by you will remain the same



Measurement

(inches)

1. Height

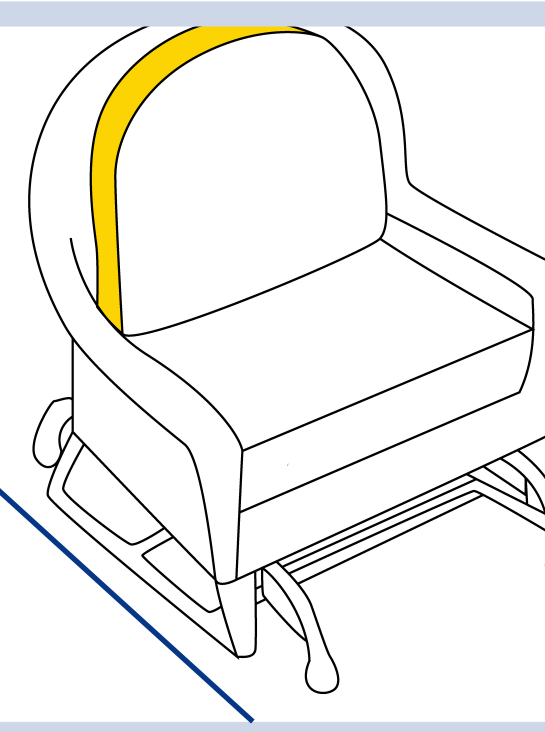
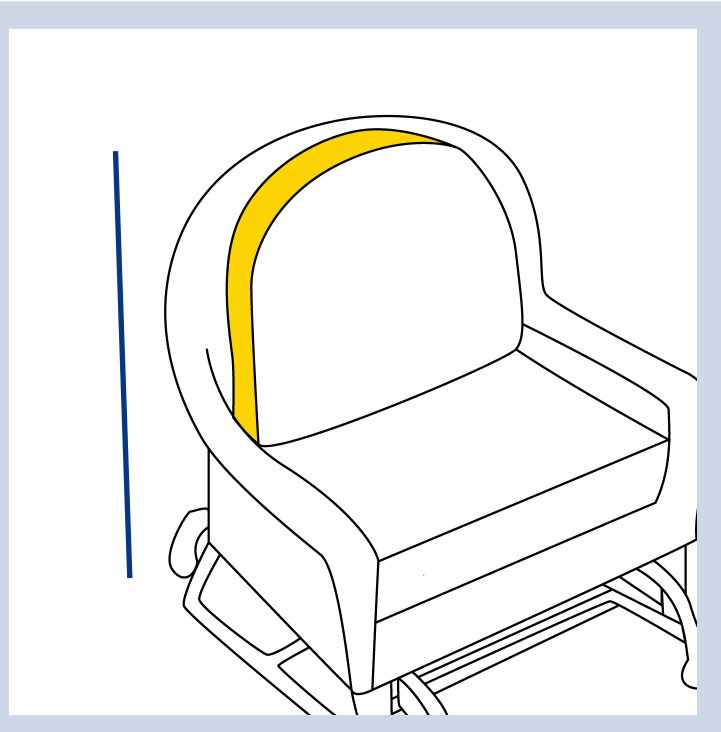
3. Depth

2. Width

4. Front Height

1. Height

Height of the Chair

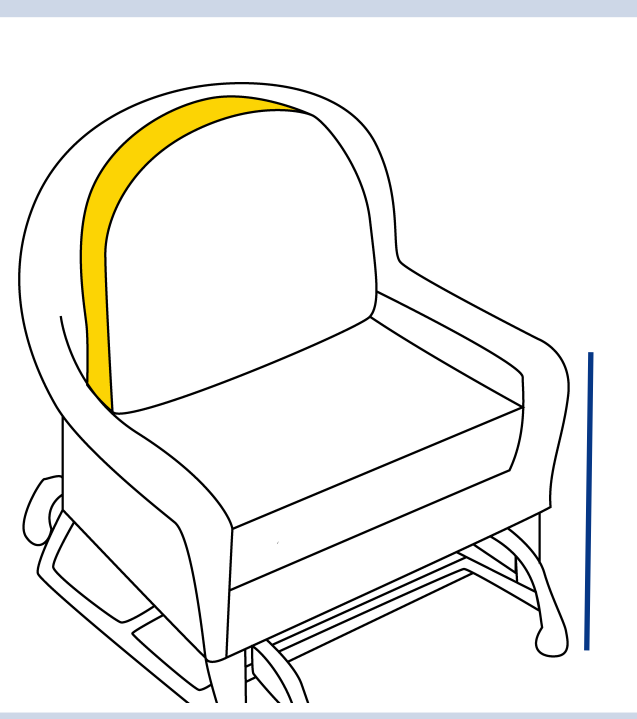
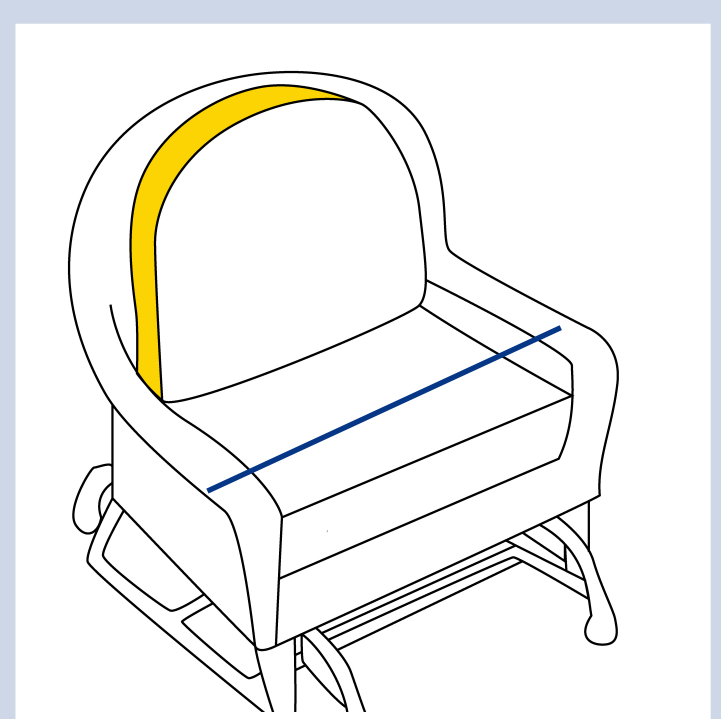


3. Depth

Depth of the Chair

2. Width

Width of the Chair



4. Front Height

Front Height - Ground to
Arm (Or ground
to seat if no arm)

In order for you to get the most out of our extra cover features, we encourage you to upload the right image that you want the cover for, this ensures that our team design the cover that meets your needs!