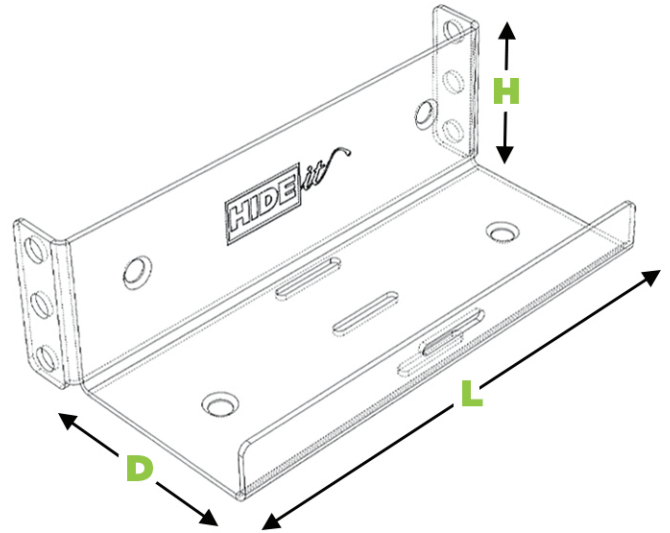


# HIDEit ProAVPB

## Universal Power Brick Server Rack Mount



### FEATURES

- Universal Design Aligns with Mounting Rail Slots. Shelf Holds Most Power Bricks.
- Multiple Cut-Outs for Zip Ties and Other Tie-Downs.
- Can Also Wall Mount or Attach Bolt-On Magnets.
- Made in USA from Recycled + Imported Cold-Rolled Steel for Strength + Durability.
- Quick and Easy to Install.

### SPECS

HEIGHT	2.00 in (51mm)
LENGTH	6.00 in (152mm)
DEPTH	2.75 in (70mm)
INCLUDED	(1) ProAVPB Mount
MATERIAL	16-Gauge Cold-Rolled Steel
COLOR	Black Powder-Coat