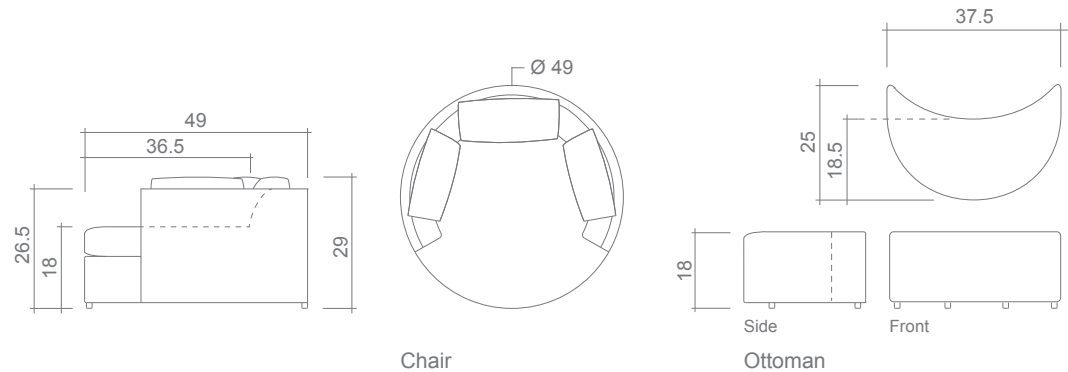


## Stewart Chair



**Arms Detachable:** No

**No other items available in this style**

**GENERAL INFORMATION:**

- \*dye-lot of the actual fabric and the swatch may not be exact match
- \*fabric yardage for plain, railroaded 54" bolt
- \*no zipper/inserts in fibre filled toss pillows
- \*overall dimensions may vary +/- 1"
- \*see fabric swatch for exact colour

**SPECIFICATIONS:**

- Back:** Loose
- Back Pillows:** Simple, 20" X 25", fibre fill
- Body:** Simple stitching
- Seat Cushions:** Box band, simple, 6.5" thick Foam w/ polyester fibre wrap
- Suspension:** Seat: Webbing | Back: Springs

**FABRIC**

- Chair: 10.50
- Ottoman: 4.00
- 3 Back Pillows: 2.25

**(YDS)**

**LEG:**

- 1 1/2" Plastic

