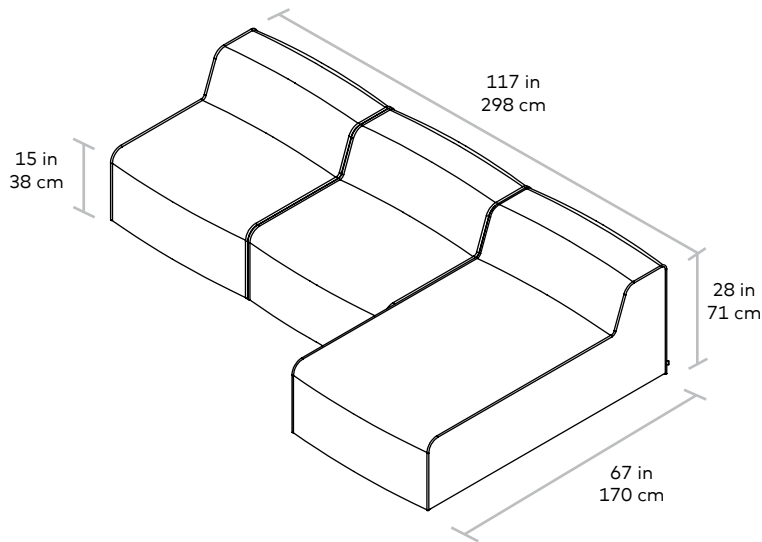


# Nexus Modular 3-PC Sectional **NEW**

**Gus\***

**New**



Seat Height 15 in | 38 cm  
Seat Depth 27 in | 70 cm

**UPHOLSTERY** > Fabric  
**BASE** > Inset Solid Wood Block Feet

The Nexus Modular Collection is based on a pair of seating components (Chair and Chaise) which can be combined in a myriad of ways to create a sofa or sectional that is custom-designed for your space. With a low-profile silhouette, and chunky, piped-edge details, the Nexus balances clean-lined Minimalism with a relaxed, bohemian vibe. The beauty of this simple, modular system is that components can be easily reconfigured or arranged separately, which allows the design to adapt to different interior layouts. Environmentally responsible PET fill offers premium comfort to match the relaxed aesthetic. The kiln-dried hardwood frame and block feet are constructed from FSC-Certified wood, in support of responsible forest management.

To see all finish options visit  
[GUSMODERN.COM](http://GUSMODERN.COM)



THIS PRODUCT IS MANUFACTURED WITH FSC-CERTIFIED WOOD