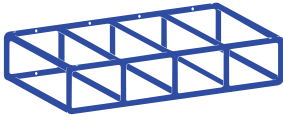


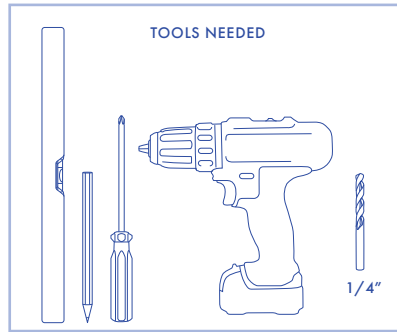
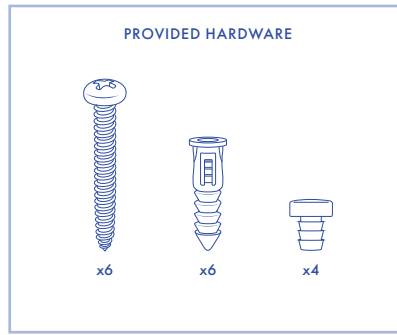
SILL SHELF



The included anchors and screws are intended solely for use with drywall. Before installing, determine your wall's material and opt for different fastening equipment if necessary. If you're uncertain, seek expert advice.



When correctly mounted:
Weight capacity: 50LBS



INSTALLATION INSTRUCTIONS

- 1 With a level resting on top, hold the shelf up against the wall. Using a pencil, mark the hole placements.
- 2 Drill holes where marked. If using the provided anchors use a 1/4" drill bit.
- 3 Insert the provided anchors.

WARNING: The provided anchors are for use on drywall only. Mounting to any other surface may require different types of fasteners.

- 4 Hold up the Sill shelf and insert the provided screws using a drill, but do not fully tighten them with the drill. Instead, hand-tighten the screws using a screwdriver, being careful not to overtighten.

WARNING: Overtightening the screws may cause the shelf to crack.

- 5 Insert rubber bumpers into holes on the top of shelf.
- 6 Finally, gently place glass on top of the shelf.

