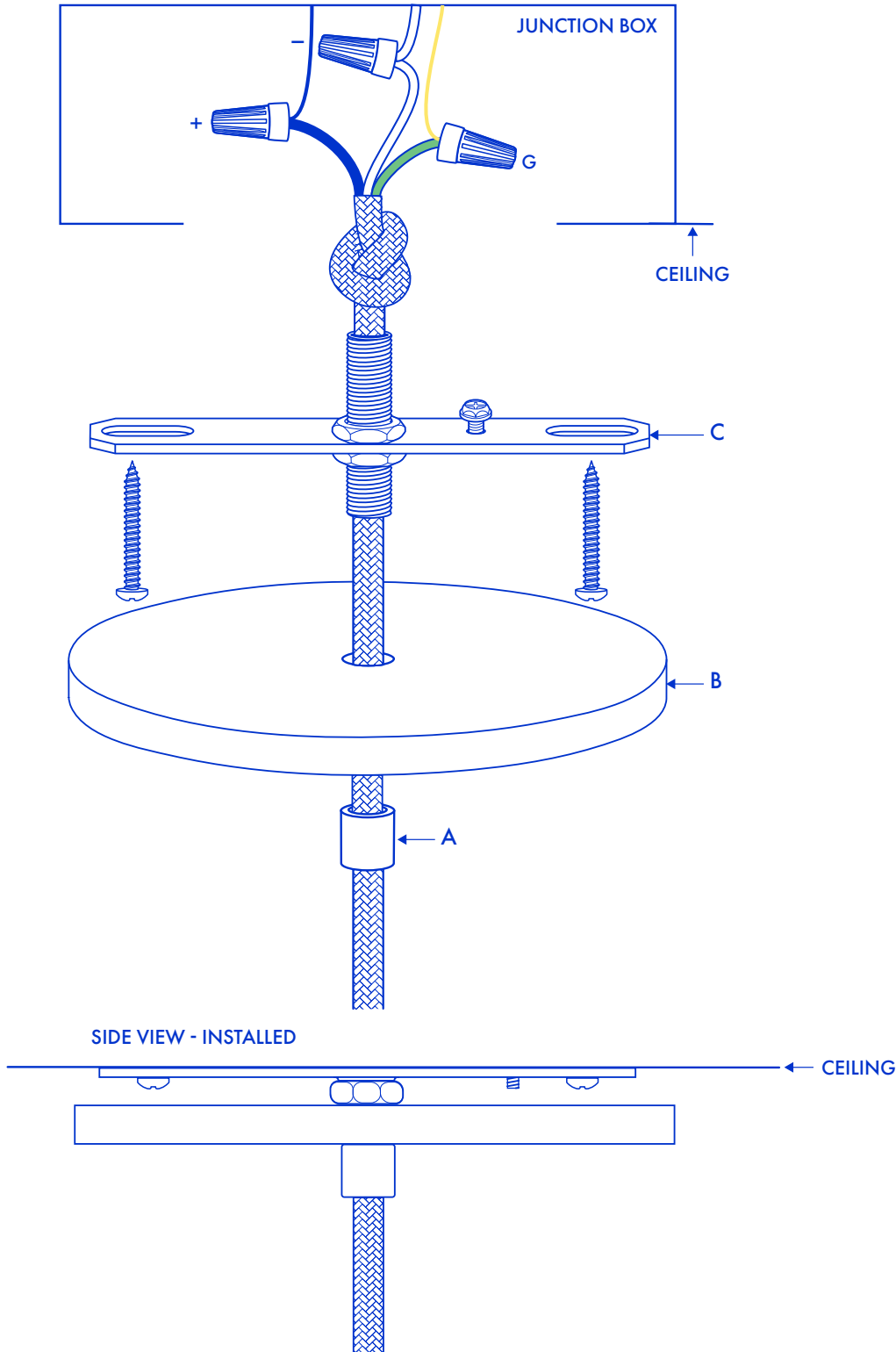


# STONEWARE CANOPY I PORT



## INSTALLATION INSTRUCTIONS

- 1 Turn off power circuit.
- 2 String through cloth covered wire in the following order:
  - A Brass bushing
  - B Stoneware canopy
  - C Pre-assembled cross bar
- 3 Tie an overhand knot with the cloth covered wire.
- 4 Locate the positive (black), negative (white) and ground (green or bare copper in the junction box) wires in the junction box and at the end of the cloth covered wire.
- 5 Strip the end of wires to expose the stranded copper wire.
- 6 Connect matching wires with wire connectors (not included) and wrap secure with electrical tape (not included).
- 7 Secure mounting cross bar to ceiling with fasteners. (not included)
- 8 String stoneware canopy through nipple and secure with brass bushing.



### WARNING:

Turn off power at circuit before wiring.  
Always consult a licensed electrician.