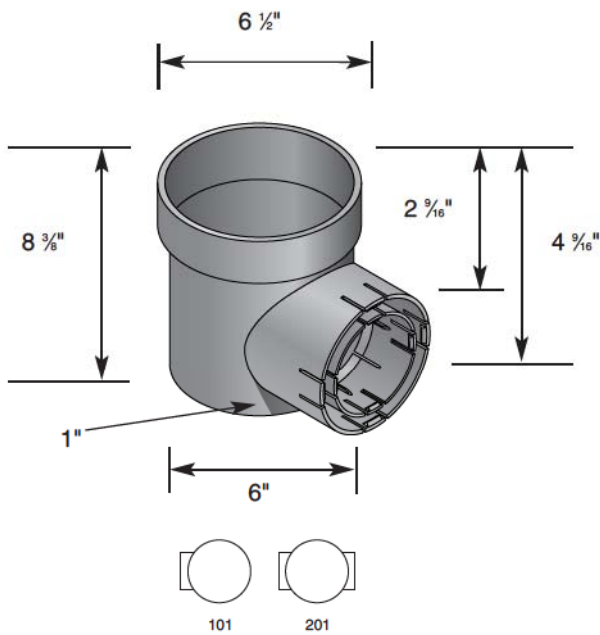


## SPEE-D BASIN

#101, #201 Outlets fit 3" or 4" Sewer & Drain Pipe, 3" or 4" Corrugated Pipe.  
 #101 Outlet also fits 4" SCH 40 and 3" & 4" Triple Wall Pipe.  
**\*New Locking Outlet snaps on to most 3" and 4" corrugated pipe.**  
 #250, #300, #350 Outlets fit 4" Sewer & Drain Pipe, 3" and 4" Corrugated Pipe and DWV Pipe, 4" SCH 40 Pipe, 4" Sewer and Drain Fittings.  
 Use NDS #66 as Riser for all 6" round catch basins .



Part Number	Outlets	Capacity (gallons)	Weight (lbs)
101	1	0.7	1.6
202	2 (180°)	0.7	1.9
250	2 (90°)	0.7	1.92
300	3	0.7	1.92
350	4	0.7	2.25

