

TENEDOS

STONE TILE MOSAICS

CARRARA MARBLE THRESHOLD (MARBLE SADDLE)

Natural stone for Floor, backsplash's vanities and Windowsills applications

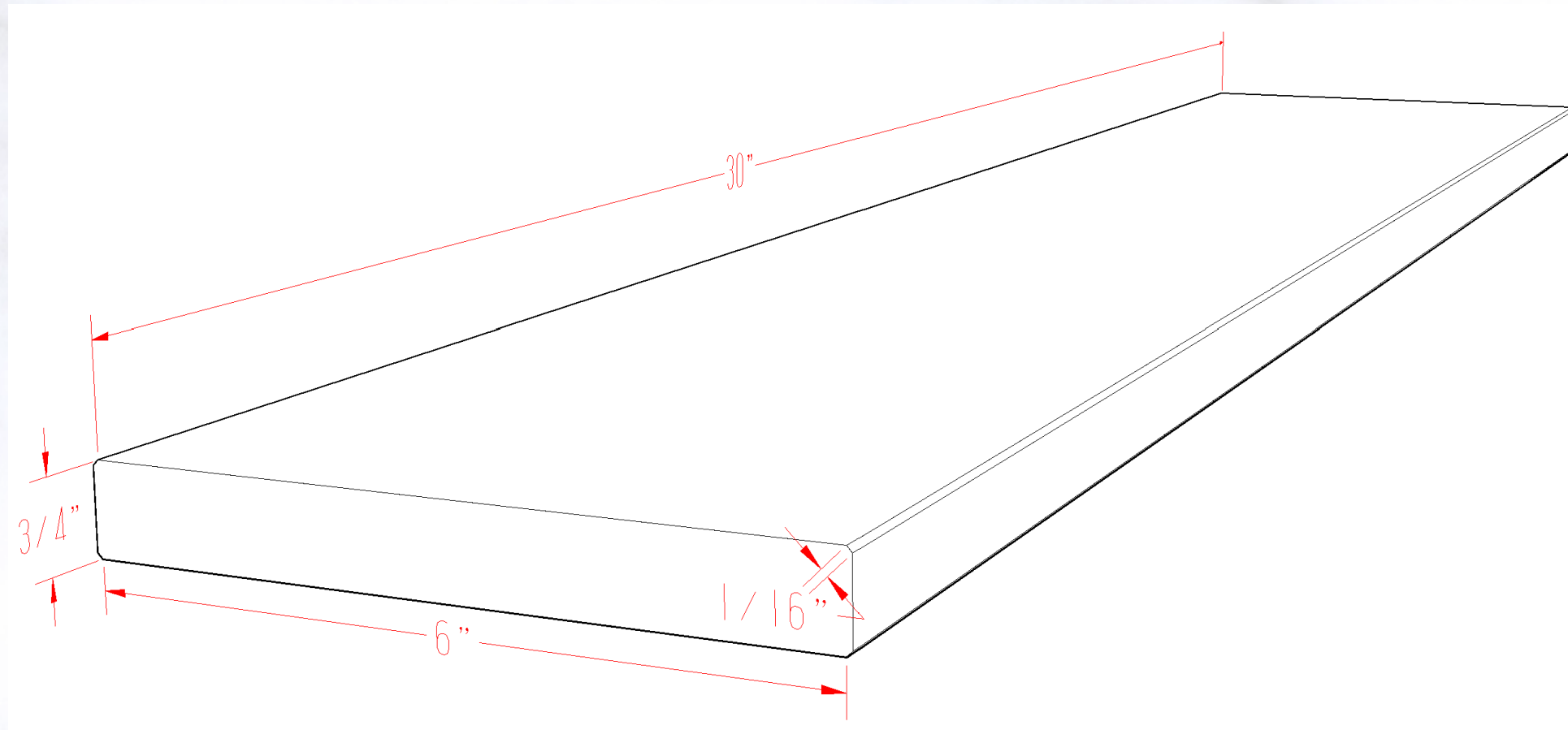


TENEDOS

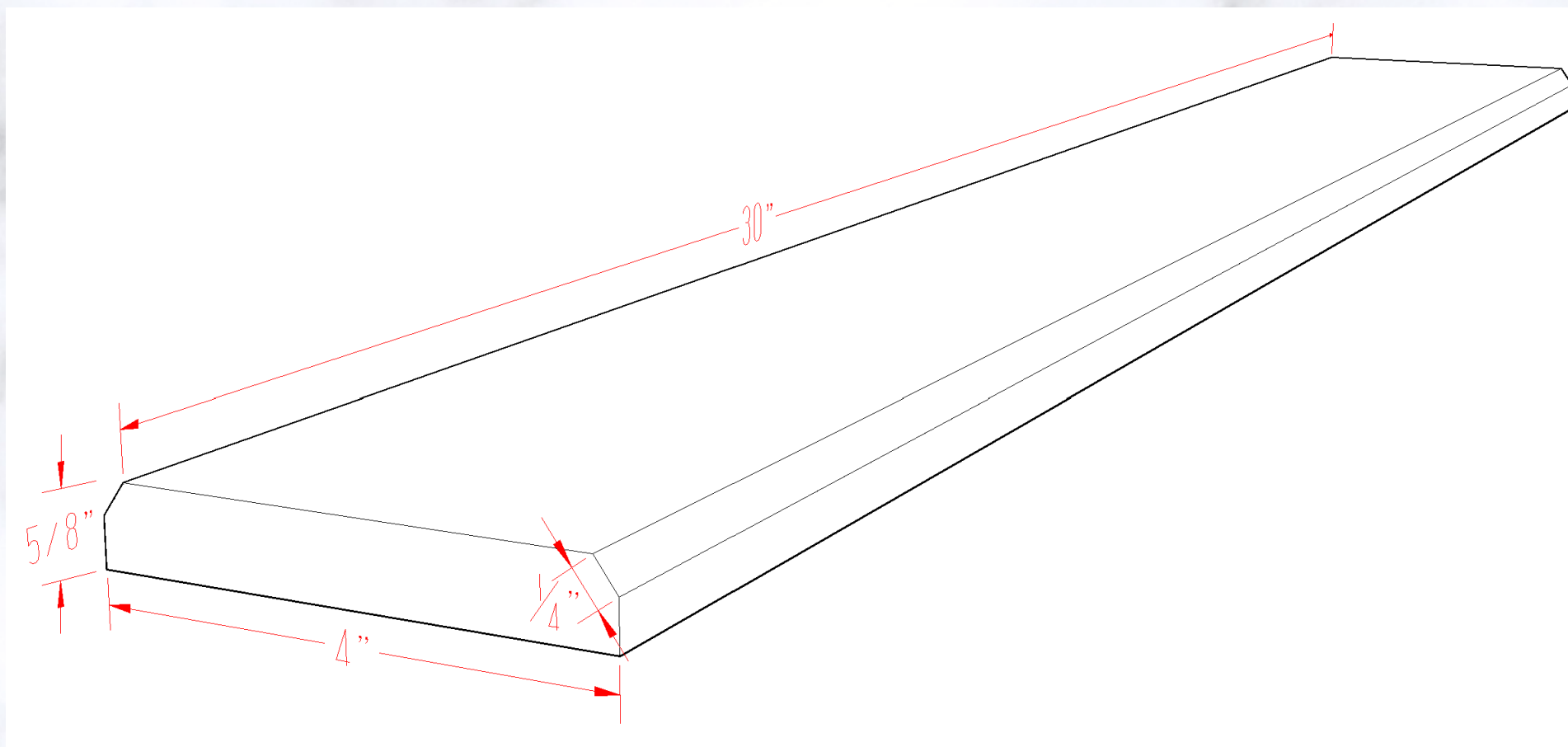
QUALITY MATTERS

© 2020

SADDLE



THRESHOLD



W	L	Saddles (μ beveled)	Threshold (beveled)	Thickness
4	24		1/4	5/8
4	24	1/16		3/4
4	30	1/16		3/4
4	30		1/4	5/8
4	36		1/4	5/8
4	36	1/16		3/4
4	60	1/16		3/4
5	30		1/4	5/8
5	30	1/16		3/4
5	36	1/16		3/4
5	36		1/4	5/8
5	48	1/16		3/4
5	60	1/16		3/4
6	24	1/16		3/4
6	36		1/4	5/8
6	48	1/8		5/8
6	48	1/16		3/4
6	60	1/16		3/4

VARIATION

Medium (Background color has slight variation)

INSTALLATION

*For Interior wet areas, if sealed and maintained properly.

* A sealer is recommended.

(Note: Some limestone and tumbled stone should be sealed prior to grouting)

* White thin-set or mortar is recommended.

NOTES

- Natural stone inherently lack uniformity and are subject to variation in aesthetics (color, shade, finish, etc.) and performance (hardness, strength, slip resistance, etc.).
- Natural stone don't meet minimum coefficient of friction thresholds recommended by safety standard setting organizations.
- No warranties, express or implied, relative to merchantability or fitness for a particular purpose are made regarding the natural stone products distributed by STONETILEMOSAIC with TENEDOS Brand.
- Water, oil, grease etc. create slippery conditions. Floor applications with exposure to these conditions require extra caution in product selection.
- Not for use on ramps.
- Polished Finish are not recommended for floor areas where slip resistance is a concern.