

# MHT-X 860/780

TECHNICAL DATA SHEET

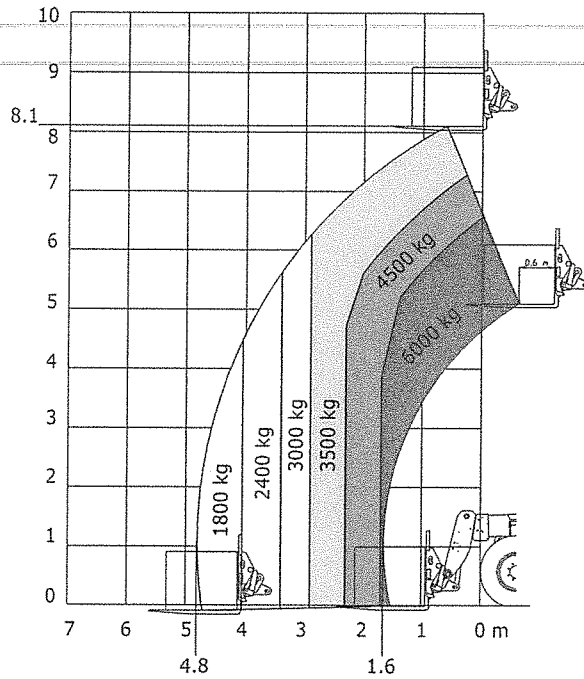


 **MANITOU**

[www.manitou.com](http://www.manitou.com)

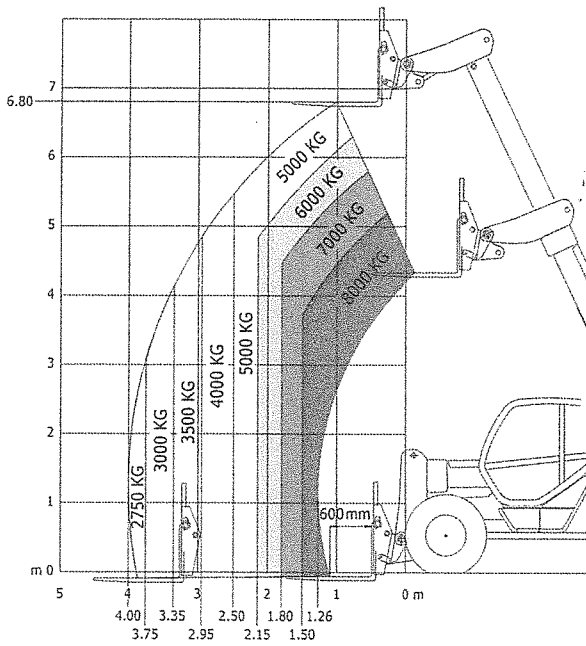
## MHT-X 860 Rough terrain load chart

Standard EN1459 B



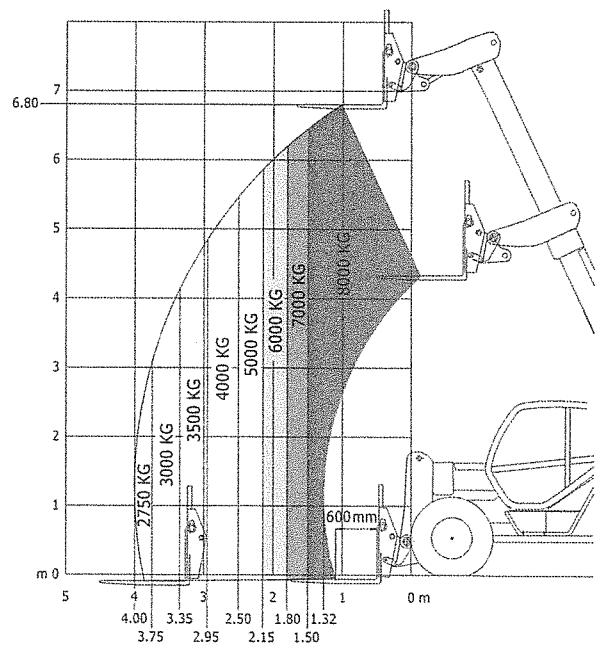
## MHT-X 780 Rough terrain load chart

Standard EN1459 B



## MHT-X 780 Industriel load chart

Standard EN1459 A




This brochure describes versions and configuration options for MANITOU products which may be fitted with different equipment. The equipment described in this brochure may be standard, optional or not available depending on version, MANITOU reserves the right to change the specifications shown and described at any time and without prior warning. The manufacturer is not liable for the specifications given. For more information, contact your MANITOU dealer. Non-contractual document. Product descriptions may differ from actual products. List of specifications is not comprehensive. The logos and visual identity of the company are the property of MANITOU and may not be used without authorisation. All rights reserved. The photos and diagrams contained in this brochure are provided for information only.

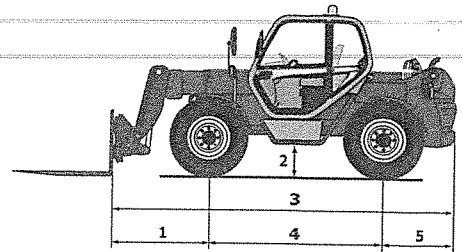
MANITOU BF SA - Limited company with board of directors - Share capital: 39,547,824 euros - 857 802 508 RCS Nantes



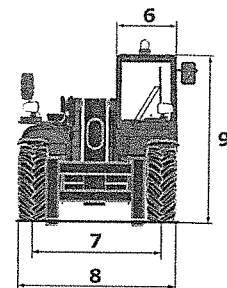
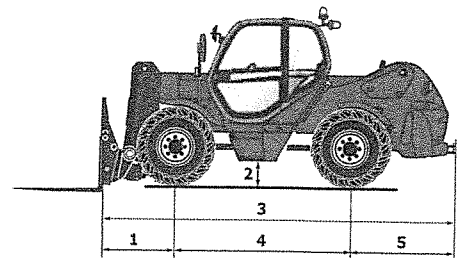
# MHT 860/780

	MHT-X 860	MHT-X 780
<b>Lifting</b>		
Max. capacity at 600 mm LC	6000 kg	8000 kg
Max. lifting height	8.10 m	6.80 m
<b>Unladen time</b>		
Lifting	11.5 s	12 s
Lowering	7.8 s	9.0 s
Extension	7.7 s	9.5 s
Retraction	5.1 s	5.5 s
Tyres	18-22.5 16 PR	18-22.5 16 PR
<b>Braking</b>		
Service brake	multiple-disk brake with oil bath on front and rear axles	
Parking brake	automatic negative handbrake	
<b>Engine</b>		
Type	PERKINS	
Cubic capacity	1104 D - E 44 TA	
Power	4400 cm <sup>3</sup>	
Max. torque	144 HP / 106 kW	
Injection	556 Nm - 1400 rpm	
Cooling	direct	
Laden drawbar pull	water	
Gradeability (unladen/laden)	75% / 49%	118% / 50%
<b>Transmission</b>		
Reversing shift	hydrostatic with automatic power regulation	
Number of gears (forward/reverse)	4 wheel drive	
Max. travel speed (may vary according to applicable regulations)	electro magnetic	
Axle	2/2	
Steering mode	28 kph	
	DANA	
	4 wheel steer	
	3 steering modes 	
<b>Controls</b>		
	JSM® Joystick multi-function	
	load limiter cut off system - EN15000 norm	
<b>Hydraulics</b>		
Load Sensing Pump	140 l/min - 275 bar	
<b>Capacities</b>		
Hydraulic oil	140 l	
Fuel	120 l	
Unladen weight (with forks)	11580 kg	12800 kg
<b>Dimensions</b>		
1. Front wheel centre to carriage	1.54 m	1.07 m
2. Ground clearance	0.41 m	0.38 m
3. Overall length to carriage	5.36 m	5.22 m
4. Wheelbase	2.73 m	2.67 m
5. Rear wheel centre to rear face	1.09 m	1.48 m
6. Overall width of cab	0.86 m	0.86 m
7. Inside tyre width	1.93 m	1.99 m
8. Overall width	2.40 m	2.44 m
9. Overall height	2.46 m	2.52 m
Standard forks (length x width x thickness)	1200 x 200 x 60 mm	
Turning radius (over tyres)	3.78 m	4.30 m
Frame levelling	+/- 10°	-
Carriage rotation (crowd/dump)	11°/123°	12°/124°
<b>Noise and vibration</b>		
Noise at driving position (LpA)	80.8 dB	
Environmental noise (LwA)	105 dB	
Vibration to whole hand/arm	<2.5 m/s <sup>2</sup>	
Vibration on driver's body	<0.5 m/s <sup>2</sup>	

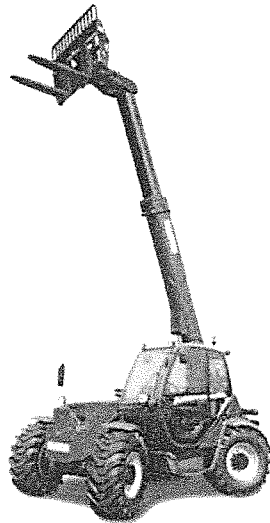
MHT-X 860



MHT-X 780



Your nearest dealer **MANITOU**:



 **MANITOU**

Head office:

B.P. 249 - 430 rue de l'Aubinière - 44158 Ancenis Cedex - France

Tel.: 00 33 (0)2 40 09 10 11 - Fax: 00 33 (0)2 40 09 10 97

[www.manitou.com](http://www.manitou.com)