

1350SJP

ULTRA SERIES BOOM LIFT



Performance

Platform Height	41.30 m
Working Height	43.30 m
Horizontal Reach	24.38 m
Swing	360° Continuous
Platform Capacity — Restricted	450 kg
Platform Capacity — Unrestricted	230 kg
Platform Rotator	180°
JibPLUS® Length	2.44 m
Horizontal Motion	180°
Vertical Motion	130° (+75/-55)
Weight	20,400 kg
Drive Speed - Lowered	5.2 km/h
Drive Speed - Elevated	0.5 km/h
Gradeability	45%
Turning Radius (Inside)	
Axles Retracted	4.39 m
Axles Extended	2.44 m
Turning Radius (Outside)	
Axles Retracted	6.86 m
Axles Extended	5.89 m

Standard Specifications

Power Source

Diesel Engine	
Deutz TD2011LO40 T4i	55 kW
Fuel Tank Capacity	117 L

Hydraulic System

- 208.2 L

Tyres

- Standard 445/50D710 24 Urethane-Filled

Standard Features

- Platform: 0.91 x 2.44 m Side Entry with Self-Closing Self-Locking Gate
- 2.44 m JibPLUS® Boom
- Selectable Capacity Envelope
- 180° Hydraulic Platform Rotator
- AC Receptacle in the Platform
- 5.5kVA Generator
- 1/2 in. Air Line to Platform
- 5 x 5 Degree Tilt Alarm/Indicator Light
- All Motion Alarm
- Swing-Out Engine Tray
- 12V DC Auxiliary Power
- Hourmeter
- Control ADE® System
- Full-time 4WD
- 3 Selectable Steering Modes
- Drive-out Extendible Axles
- Oscillating Axle
- Proportional Controls
- Gull-Wing Hoods
- 445/50D710 Urethane-Filled Rim Protector Lug Tread Tyres
- Platform Console Machine Status Light Panel*
- Lifting/Tie Down Lugs
- Engine Distress Warning/Shutdown—Selectable via JLG Analyzer

* Provides indicator lights at platform control console for system distress, fuel level, low fuel, 5 degree tilt light, and foot switch status.



Accessories & Options

- .91 x 1.83 m Platform Entry
- Mesh to Mid Rail
- Light Package¹
- Special Hydraulic Oils
- Console Cover
- Corner Storage Tray
- ClearSky®
- SkyGuard™
- Pipe Racks
- Cable Tray Carrier

1. Includes platform mounted worklights and drive/back-up lights.

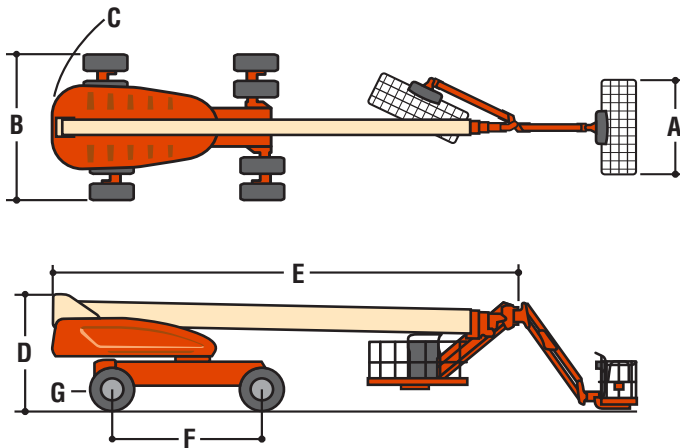
1350SJP

ULTRA SERIES BOOM LIFT



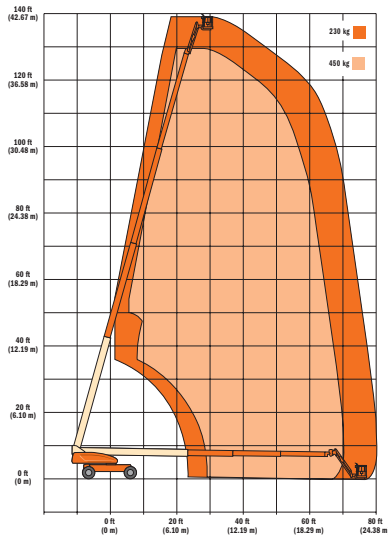
Dimensions

All dimensions are approximate.



A. Platform Size	0.91 x 2.44 m
B. Overall Width Axles Retracted	2.49 m
Overall Width Axles Extended	3.81 m
C. Tailswing	1.68 m
D. Stowed Height	3.05 m
E. Overall Length Jib Stowed	11.86 m
Overall Length Jib Deployed	14.89 m
F. Wheel Base	3.81 m
G. Ground Clearance	
Axle	30 cm
Chassis	65 cm

Range Chart



The JLG "1 & 5" Warranty

JLG Industries, Inc. backs its products with its exclusive "1 & 5" Warranty. We provide coverage on all products for one (1) full year and cover all specified major structural components for five (5) years. Due to continuous product improvements, we reserve the right to make specification and/or equipment changes without prior notification. This machine meets or exceeds AS/NZS 1418.10 2011 as originally manufactured for intended applications.



JLG Industries (Australia)

358 Park Road
 Regents Park, NSW 2143
 Telephone 02 8718 6300
 Fax 02 8718 6377
www.jlg.com.au

An Oshkosh Corporation Company