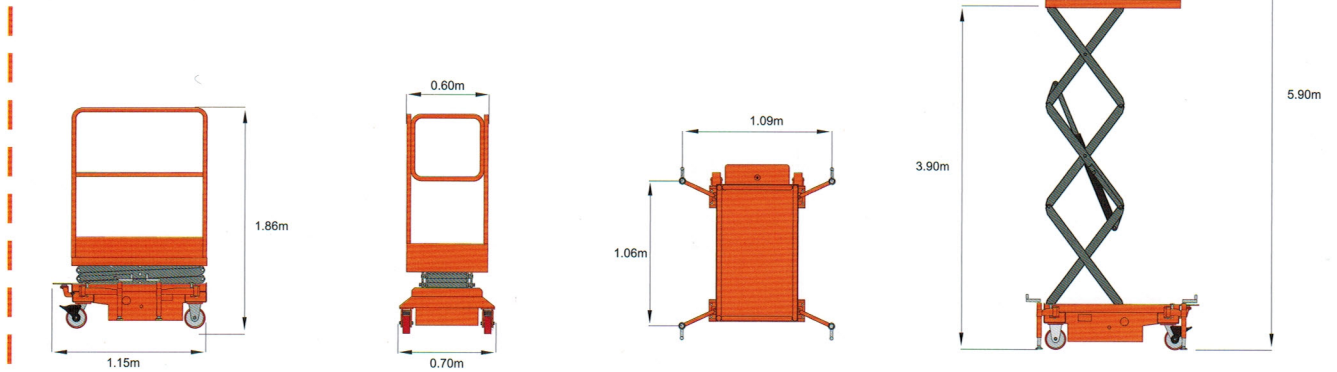


MOBILE SCISSOR LIFTS

Rizer

SP039-E



S.W.L	240 kg/529lib
--------------	---------------



Working height	5.90m/19ft4in
Platform floor height	3.90m/12ft9in



Overall length	1.15m/3ft9in
Overall width	0.70m/2ft5in
Overall height	1.86m/5ft10in
Platform size	1.15 X 0.60m/3ft9inx1ft11in
Ground clearance	0.06m/2in
Wheelbase	0.94m/2ft8in



Lifting motor	12VDC/0.8kw
----------------------	-------------



Up/Down speed	40/48sec
----------------------	----------



Batteries	12V/120Ah
Integrated charger	12V/12A



Tyres	0.15m/6in
--------------	-----------



Weight	420kg/925lb
---------------	-------------

Standard equipment

- Battery charge indicator
- Levelling indicator
- Safety brackets
- Emergency stop button
- Levelling outrigger device
- Dual locking castors
- Forklift pockets

