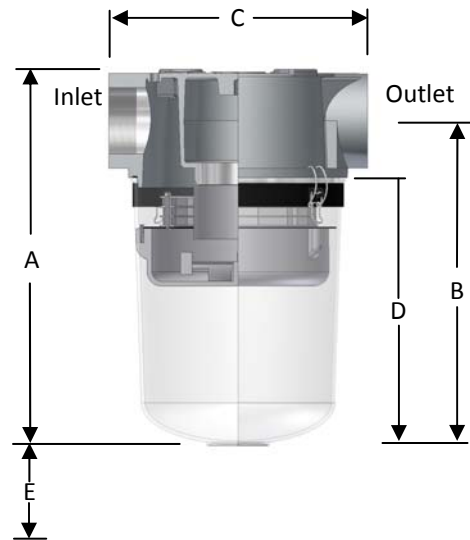
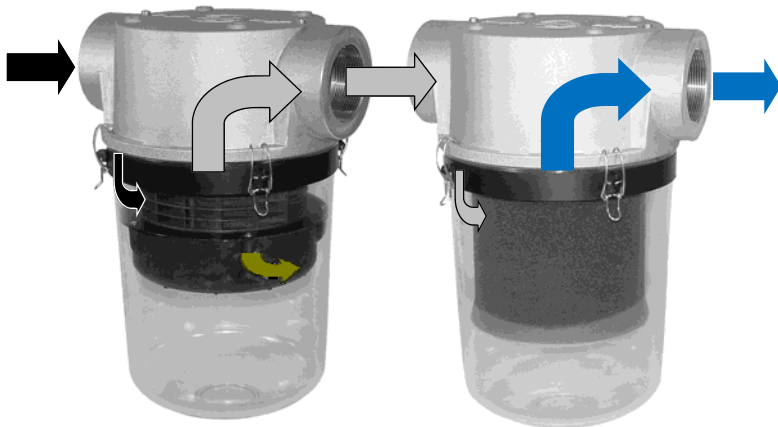


Extreme Duty Vacuum Filters SpinMeister™ ST Series



Operating Principle

- Centrifugal force from intake air causes particulate to separate from air stream, forcing it to the outer cover perimeter and out through the discharge port
- SpinMeister™ Precleaner eliminates large objects from entering air stream
- The air stream then enters the inlet filter and is filtered by a 99+% efficient pleated element

Features

- Extreme duty filtration for high dust environments
- Excellent removal for short fibers
- Significantly increases life of filter element
 - SpinMeister™ Precleaner
 - 85+% efficient up to 15 microns
 - Made of durable molded fiber filled composite material
 - Reduced pressure drop
- Low pressure drop and positive sealing assembly
- Large dirt holding capacity
- Clip release shell for easy maintenance
- 6" SpinMeister housing has an extended shell

Technical Specifications

- Vacuum Rating: Gas tight seal
- Temp (continuous): min -15°F (-26°C) max 220°F (104°C)
- Filter change out differential: 15-20" H₂O over initial Δ P
- Polyester: 99%+ removal efficiency standard to 5 micron
- Paper: 99%+ removal efficiency standard to 2 micron

Options

- Multiple configurations
 - Inlet "L" design filters
 - Inlet filter assemblies
- SpinMeisters™ available in polished Aluminum
- Larger systems available
- Various media
- Spool piece extender on select models
- Pressure drop gauge

FPT Connections

| FPT Inlet & Outlet | SCFM Rating | | Assembly Part Number | | | Dimensions - inches | | | | Suggested Service Area E | Replacement Element Part No. | | Element SCFM Rating |
|--------------------|----------------------|--------------|----------------------|-------------------|---------------|---------------------|--------|--------|--------|--------------------------|------------------------------|-------|---------------------|
| | Range w/ SpinMeister | with Element | SpinMeister | Polyester Element | Paper Element | A | B | C | D | | Polyester | Paper | |
| 2" | 40-110 | 175 | ST-SML235-200C | ST-851/1-200C | ST-850/1-200C | 16 1/4 | 14 1/4 | 9 | 12 1/2 | 9 | 851/1 | 850/1 | 290 |
| 2-1/2" | 40-110 | 210 | ST-SML235-250C | ST-851/1-250C | ST-850/1-250C | 16 1/4 | 14 1/4 | 9 | 12 1/2 | 9 | 851/1 | 850/1 | 290 |
| 3" | 100-200 | 300 | ST-SML345-300C | ST-235P-300C | ST-234P-300C | 19 | 17 | 13 1/2 | 14 | 9 | 235P | 234P | 570 |
| 3" | 200-450 | 300 | ST-SML445-300C | ST-235P-300C | ST-234P-300C | 19 | 17 | 13 1/2 | 14 | 9 | 235P | 234P | 570 |
| 4" | 100-200 | 520 | ST-SML345-400C | ST-235P-400C | ST-234P-400C | 19 | 17 | 13 1/2 | 14 | 9 | 235P | 234P | 570 |
| 4" | 200-450 | 520 | ST-SML445-400C | ST-235P-400C | ST-234P-400C | 19 | 17 | 13 1/2 | 14 | 9 | 235P | 234P | 570 |
| 6" | 450-900 | 1100 | CTD-SM6-600C** | CT-275P-600C* | CT-274P-600C* | 18 1/4 | 14 3/8 | 19 | 9 7/8 | 10 | 275P | 274P | 1100 |

* Denotes housings with carbon steel buckets

** Denotes housings with carbon steel extended buckets

Dimension tolerance ± 1/4"

See Vacuum Filter Technical Data section for sizing guidelines.

Note: Model offerings and design parameters may change without notice. See www.solbergmfg.com for most current offering.