



SOLBERG®

Snubber Intake/Discharge Silencer

*Designed for Vacuum Applications w/
BBF Series Silencer Base Frame*



Snubber Discharge Silencer



The Complete Solution for PD Blower Vacuum Packages

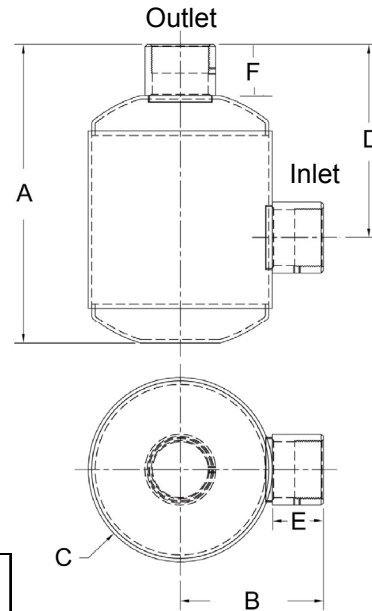
See BBF Series Brochure for complete information on the Ultra Compact Silencer Base Frame

Advantages

- ◆ **Compact Design**
- ◆ **Easy Retrofit**
- ◆ **Redirect and Reduce Discharge Noise**
- associated with vacuum applications
- ◆ **Quieter Work Environments**

Specifications

- ◆ Reduce noise up to 15 dBA depending on application and vacuum level
- ◆ Reactive design
- ◆ Fits 2" to 4" connections
- ◆ Carbon steel construction with black baked enamel finish
- ◆ Straight through designs available, contact factory
- ◆ Use in most environments where silencing is required
- ◆ Contact factory for alternate designs & configurations



Model Number	Inlet & Outlet	Connection Style	Reference Only Dimensions - inches					
			A	B	C	D	E	F
SNL209	2"	Pipe Stub	16 1/2	6 5/16	8 5/8	11	2	2 1/2
SNL200C	2"	FPT	17 1/2	7 5/16	8 5/8	12	3	3 1/2
SNL259	2 1/2"	Pipe Stub	16 1/2	6 5/16	8 5/8	11	2	2 1/2
SNL250C	2 1/2"	FPT	18	7 13/16	8 5/8	12 1/2	3 1/2	4
SNL309	3"	Pipe Stub	17 1/2	8 1/4	10 3/8	11 1/2	3	3 1/2
SNL300C	3"	FPT	19	9 3/4	10 3/8	13	4 1/2	5
SNL409	4"	Pipe Stub	17 1/2	8 1/4	10 3/8	11 1/2	3	3 1/2
SNL400C	4"	FPT	19	9 3/4	10 3/8	13	4 1/2	5

Solberg Manufacturing Inc
1151 Ardmore Ave. • Itasca, IL 60143 USA
Sales/Service: 630.773.1363 • Fax: 630.773.0727

SN-7504

Discover the Possibilities
www.solbergmfg.com
ISO 9001:2000 Certified