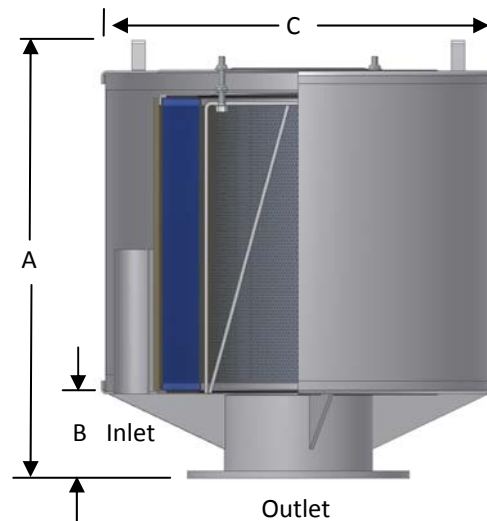


Big Boy Filter Silencers

FS Series 6" to 14" Flange



Filter Silencers

Features

- Tubular silencing design - tubes are positioned to maximize attenuation and air flow while minimizing pressure drop
- Durable carbon steel construction with baked enamel finish
- Low pressure drop center bracket & outlet pipe design

Options

- 1/8" tap holes available for 3" and larger connections
- Pressure drop indicator (See page 3-11)
- Various media for different environments
- Stainless steel construction

Technical Specifications

- Temp (continuous): min -15°F (-26°C) max 220°F (104°C)
- Filter change out differential: 15-20" H₂O over initial Δ P
- Pressure drop graphs available upon request
- Polyester: 99%+ removal efficiency standard to 5 micron
- Paper: 99%+ removal efficiency standard to 2 micron

- Epoxy coated finish
- Special connections
- Side Access Silencer Filters (LQB Series) for space restricted enclosures (select models)

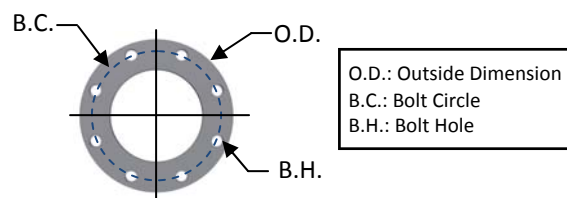
Flange Outlet Connections

Flange Outlet	Assembly SCFM Rating	Assembly Part Number		Dimensions - inches			No. of Silencing Tubes	Approx. Wt. lbs	Replacement Element Part No.		Element SCFM Rating
		Polyester	Paper	A	B	C			Polyester	Paper	
6"	1100	FS-377P-600F	FS-376P-600F	22	5	22 1/2	6	95	377P	376P	1825
8"	1800	FS-377P-800F	FS-376P-800F	23	6	22 1/2	12	105	377P	376P	1825
8"	1800	FS-385P-800F	FS-384P-800F	23	6	28 1/2	12	125	385P	384P	3295
10"	3300	FS-385P-1000F	FS-384P-1000F	23	6	28 1/2	16	130	385P	384P	3295
10"	3300	FS-485P-1000F	FS-484P-1000F	31	6	28 1/2	16	143	485P	484P	4705
12"	4700	FS-485P-1200F	FS-484P-1200F	31	6	28 1/2	24	155	485P	484P	4705
12"	4700	FS-685P-1200F	FS-384P(2)-1200F	38	6	28 1/2	24	175	685P	384P (2)	6600
14"	6000	FS-485P(2)-1400F	FS-484P(2)-1400F	53	6	28 1/2	18	245	485P (2)	484P (2)	9410

See Filter Silencer Technical Data section for sizing guidelines.

Dimension tolerance ± 1/4"

125/150# Pattern Flg	Dimensions - inches			No. of Holes	Flange Thickness
	O.D.	B.C.	B.H.		
6"	11	9 1/2	0.88	8	0.38
8"	13 1/2	11 3/4	0.88	8	0.38
10"	16	14 1/4	1	12	0.38
12"	19	17	1	12	0.5
14"	21	18 3/4	1 1/8	12	0.5



Note: Model offerings and design parameters may change without notice. See www.solbergmfg.com for most current offering.