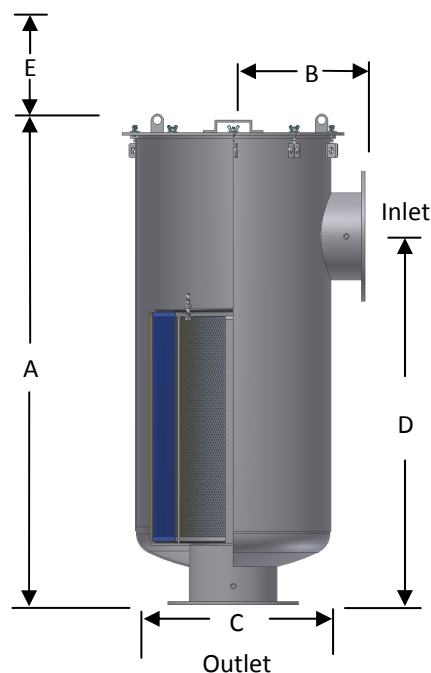


# "L" Style Vacuum Filters CSL Series 3" - 12" MPT, Flange



## Features

- Heavy duty T bolts for easy maintenance
- Rugged all steel construction w/powder coat finish
- Positive engagement O-ring seal system
- Inlet & outlet 1/4" gauge taps

## Technical Specifications

- Vacuum Rating: Medium vacuum service\*\*
- Hydrostatically tested to 0.5 bar pressure for vacuum seal
- Temp (continuous): min -15°F (-26°C) max 220°F (104°C)
- Filter change out differential: 15-20" H<sub>2</sub>O over initial Δ P
- Polyester: 99%+ removal efficiency standard to 5 micron
- Paper: 99%+ removal efficiency standard to 2 micron

\*\* See Vacuum Filter Technical Data for vacuum service data.

## Benefits

- Large dirty holding capacity and easy field cleaning, especially when mounted horizontally or inverted
- Low pressure drop construction

## Options



- Straight-through configurations
- Various filter media
- Material/Finishes: Stainless steel, Epoxy coating
- Custom connections
- Flange faces free of paint
- Internal surfaces free of paint
- Lifting lugs
- Brackets for optional support legs
- Nameplate bracket

### Flange Outlet Connections

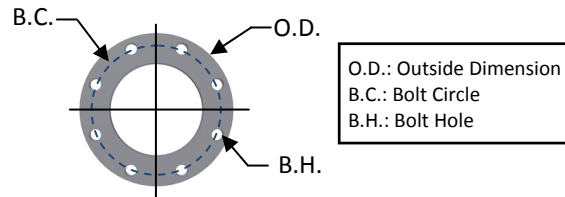
Flange Inlet & Outlet	Assembly SCFM Rating	Assembly Part Number		Dimensions - inches				Suggested Service HT. E	Approx. Wt. lbs.	Replacement Element Part No.		Element SCFM Rating
		Polyester	Paper	A	B	C	D			Polyester	Paper	
4"	520	CSL-235P-400F	CSL-234P-400F	27 1/2	9	14	18 1/2	15	62	235P	234P	570
4"	520	CSL-335P-400F	CSL-334P-400F	27 1/2	9	14	18 1/2	20	64	335P	334P	800
5"	800	CSL-245P-500F	CSL-244P-500F	27 7/8	11	18 1/2	19 1/2	15	88	245P	244P	880
5"	800	CSL-345P-500F	CSL-344P-500F	27 7/8	11	18 1/2	19 1/2	20	90	345P	344P	1100
6"	1100	CSL-275P-600F	CSL-274P-600F	29 1/8	12	18 1/2	20 1/2	15	110	275P	274P	1100
6"	1100	CSL-375P-600F	CSL-374P-600F	29 1/8	12	18 1/2	20 1/2	20	113	375P	374P	1500
8"	1800	CSL-377P-800F	CSL-376P-800F	40	14	20 1/4	25 1/2	20	185	377P	376P	1825
10"	2900	CSL-685P-1000F	CSL-384P(2)-1000F*	59 13/16	16	24 1/4	45	33	380	685P	384P (2)	6600
12"	4950	CSL-485P(2)-1200F*	CSL-484P(2)-1200F*	70	16	24 1/4	57	25	465	485P (2)	484P (2)	9410

See Vacuum Filter Technical Data section for sizing guidelines.

Dimension tolerance  $\pm 1/4"$

\* Denotes 2 elements stacked in housing.

125/150# Pattern Flg	Dimensions - inches			No. of Holes	Flange Thickness
	O.D.	B.C.	B.H.		
4"	9	7 1/2	0.75	8	0.38
5"	10	8 1/2	0.88	8	0.38
6"	11	9 1/2	0.88	8	0.38
8"	13 1/2	11 3/4	0.88	8	0.38
10"	16	14 1/4	1	12	0.5
12"	19	17	1	12	0.5



All flanges are orientated "split center".

### MPT Connections

MPT Inlet & Outlet	Assembly SCFM Rating	Assembly Part Number		Dimensions - inches				Suggested Service HT. E	Approx. Wt. lbs.	Replacement Element Part No.		Element SCFM Rating
		Polyester	Paper	A	B	C	D			Polyester	Paper	
3"	300	CSL-235P-300	CSL-234P-300	27 1/4	9	14	18 1/2	10	47	235P	234P	570
3"	300	CSL-335P-300	CSL-334P-300	27 1/4	9	14	18 1/2	15	50	335P	334P	800
4"	520	CSL-235P-400	CSL-234P-400	27 1/4	9	14	18 1/2	10	52	235P	234P	570
4"	520	CSL-335P-400	CSL-334P-400	27 1/4	9	14	18 1/2	15	55	335P	334P	800
5"	800	CSL-245P-500	CSL-244P-500	27 7/8	11	19	19 1/2	10	82	245P	244P	880
5"	800	CSL-345P-500	CSL-344P-500	27 7/8	11	19	19 1/2	15	88	345P	344P	1100
6"	1100	CSL-275P-600	CSL-274P-600	29 1/8	12	19	20 1/2	10	95	275P	274P	1100
6"	1100	CSL-375P-600	CSL-374P-600	29 1/8	12	19	20 1/2	15	97	375P	374P	1500

See Vacuum Filter Technical Data section for sizing guidelines.

Dimension tolerance  $\pm 1/4"$