



Premium Grade Silencer Filters

Reduce Costs, Size & Labor

"Big Boy" 2G Series 8" - 12" 125/150# Pattern Flange

APPLICATIONS & EQUIPMENT

- ♦ Blowers - Side Channel & P.D.
- ♦ Engines
- ♦ Waste Water Aeration
- ♦ Industrial & Severe Duty
- ♦ Fans
- ♦ Sparging
- ♦ Piston Compressors
- ♦ Construction Industry
- ♦ Cement
- ♦ Screw Compressors
- ♦ Medical
- ♦ Power Plants
- ♦ Hydraulic Breathers – fine filtration
- ♦ Pneumatic Conveying

FEATURES & SPECIFICATIONS

- ♦ Overall **Cost** of the Blower Package is **Dramatically** Lowered
- ♦ Multiple silencing features, **Reduce** and **Deaden** sound
- ♦ **Differentiate** your blower package from "traditional"
- ♦ Tubular Silencing - Tubes placed to maximize attenuation
- ♦ The Number of costly components in a system are reduced,
- ♦ Quiet Band Weatherhood -Quiet band utilizes sound suppression in weatherhood make up
- ♦ **Shrinking the Footprint.**
- ♦ Internal Silencer - Center tubular silencer with layered absorptive media
- ♦ Power consumption (amp draw) is **Reduced** allowing for increased performance and lower pressure drop is achieved with the removal unnecessary components.
- ♦ 1/8" tap hole standard
- ♦ Material, handling, labor & freight costs are minimized.
- ♦ Temp (continuous): min -15°F (-26°C) max 220°F (104°C)
- ♦ Durable carbon steel construction with baked enamel finish
- ♦ Filter change out differential: 10"-15" H₂O over initial delta P

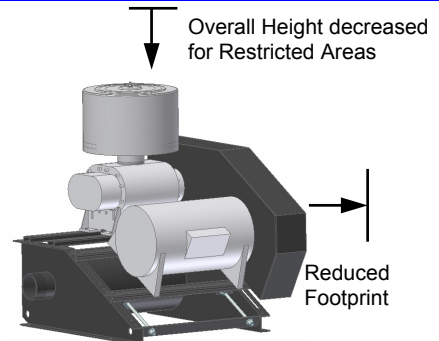
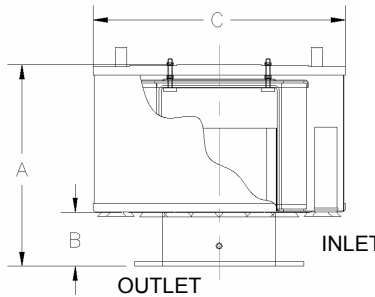
OPTIONS (Inquiries Encouraged)

- ♦ Pressure Drop Indicator
- ♦ Available in **Stainless Steel**
- ♦ Special connections, BSPT
- ♦ Various media available
- ♦ Epoxy coated housings

CONFIGURATION



DRAWING



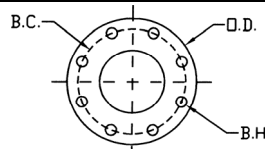
I = Industrial Duty S = Severe Duty E = Extreme Duty

Dimension tolerance $\pm 1/4"$

Blower Package Setup w/ 2G silencer filter and BBF blower base frame.

	with Polyester Element	with Paper Element	Flange Outlet	DIMENSIONS - inches			Rated Flow SCFM			No. of Silencing Tubes	Approx. Wt. lbs
				A	B	C	Piston	Screw, Blower, Fan	Element Rating		
I	2G-377P-800F	2G-376P-800F	8"	23	6	22 1/2	1260	1600	1825	12	125
S	2G-385P-800F	2G-384P-800F	8"	23	6	28 1/2	1440	1800	3295	12	130
E	2G-485P-800F	2G-484P-800F	8"	31	6	28 1/2	1800	1800	4705	12	142
I	2G-385P-1000F	2G-384P-1000F	10"	23	6	28 1/2	1800	3300	3300	16	135
S	2G-485P-1000F	2G-484P-1000F	10"	31	6	28 1/2	2600	3300	4705	16	148
E	2G-685P-1000F	2G-384P(2)-1000F	10"	38	6	28 1/2	2880	3300	6600	16	170
I	2G-385P-1200F	2G-384P-1200F	12"	23	6	28 1/2	2600	3300	3300	24	140
S	2G-485P-1200F	2G-484P-1200F	12"	31	6	28 1/2	2600	4700	4705	24	160
E	2G-685P-1200F	2G-384P(2)-1200F	12"	38	6	28 1/2	3500	4700	6600	24	180
E	2G-485P(2)-1200F	2G-484P(2)-1200F	12"	53	6	28 1/2	4320	4700	9410	24	200

125/150# Pattern Flg	DIMENSIONS - inches			No. of Holes	Flange Thickness
	O.D.	B.C.	B.H.		
8"	13 1/2	11 3/4	0.88	8	0.38
10"	16	14 1/4	1	12	0.38
12"	19	17	1	12	0.5



Note: Model offerings and design parameters may change without notice.

Solberg – Discover the Possibilities

2GL-309

1151 Ardmore Ave. • Itasca, IL 60143 USA

Sales/Service: 630.773.1363 • Fax: 630.773.0727

E-mail: sales@solbergmfg.com • Web Site: www.solbergmfg.com