



Compact splicing connector; 5-conductor terminal block; with operating levers; max. continuous service temperature 85°C

Item No.: 222-415



Compact splicing connector; 5-conductor terminal block; with operating levers; max. continuous service temperature 85°C

Marking

RoHS ✓
Compliant

Business data

Supplier	WAGO
Item no.	222-415
GTIN / EAN	4044918464956
Content	1
Order amount	40
Customer item number	

Notes

Technical data

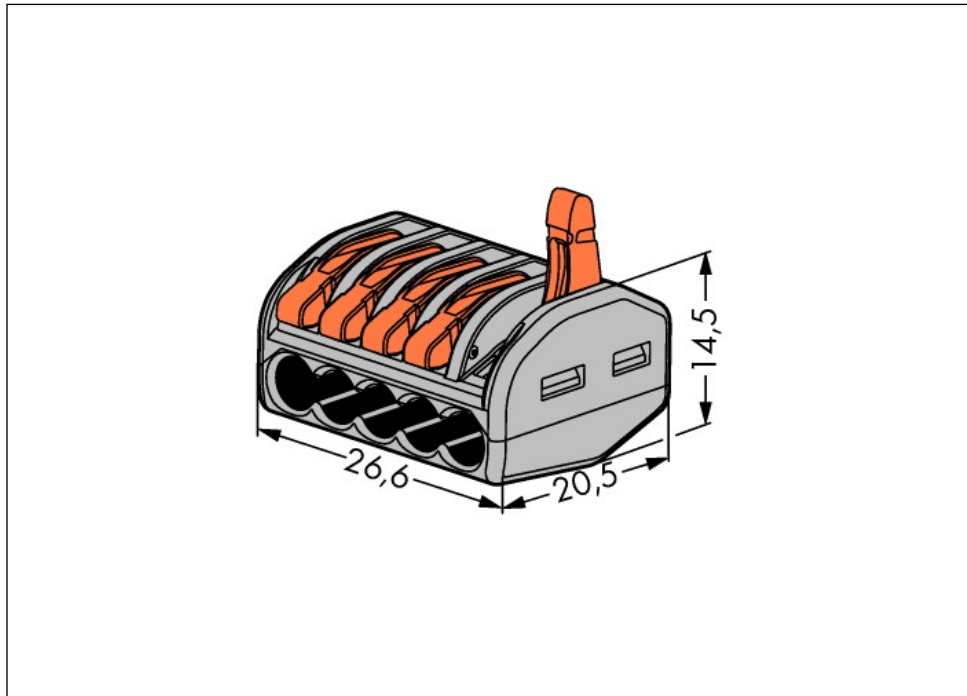
Miscellaneous

Safety information 1	In grounded power lines
Packaging type	BOX
Rated voltage (II / 2) [V]	400 [V]
Rated impulse voltage (II / 2) [kV]	4 [kV]
Rated current [A]	32 [A]

Technical data	
<i>Total number of potentials</i>	1
<i>Type of wiring</i>	Side-entry wiring
<i>Connection technology</i>	CAGE CLAMP®
<i>Number of connection points (connection type)</i>	5
<i>Actuation type</i>	Operating lever
<i>Connectable conductor materials</i>	Copper
<i>Solid conductor</i>	0.08 ... 2.5 mm ² / 28 ... 12 AWG
<i>Stranded conductor</i>	0.08 ... 2.5 mm ² / 28 ... 12 AWG
<i>Fine-stranded conductor</i>	0.08 ... 4 mm ² / 28 ... 12 AWG
<i>Strip length</i>	9 ... 10 mm / 0.35 ... 0.39 Inch
<i>Width</i>	26.6 mm / 1.047 Inch
<i>Height</i>	14.5 mm / 0.571 Inch
<i>Depth</i>	20.5 mm / 0.807 Inch
<i>Total number of connection points</i>	5
<i>Color</i>	gray
<i>Fire load [MJ]</i>	0.13 [MJ]
<i>RoHS Conformity</i>	1
<i>Weight [g]</i>	6.58 [g]
<i>Continuous operating temperature up to [°C]</i>	85 [°C]

Images & drawings





Address

WAGO Kontakttechnik GmbH & Co. KG

Hansastr. 27

32423 Minden

Telefon: 0571/887-0

Fax: 0571/887-169

<http://www.wago.com>

© WAGO Kontakttechnik GmbH & Co. KG

Technische Änderungen und Irrtümer vorbehalten.