

Printview: COMPACT splicing connectors for all wire types; 2-conductor terminal block; with operating levers; Max. operating temperature 85°C - Item No.: 221-412

**WAGO**® online catalog / eShop

**COMPACT splicing connectors for all wire types; 2-conductor terminal block; with operating levers; Max. operating temperature 85°C**

Item No.: 221-412



COMPACT splicing connectors for all wire types; 2-conductor terminal block; with operating levers; Max. operating temperature 85°C

### Marking

RoHS ✓  
Compliant

### Business data

Supplier	WAGO
Item no.	221-412
GTIN / EAN	4050821808435
Content	1
Order amount	100
Customer item number	

### Notes

### Technical data

#### Miscellaneous

Total number of connection points	2
Total number of potentials	1
Color	transparent
Ratings according to 1	EN 60664
Pollution degree (1)	2
Rated voltage EN (1) [V]	450 [V]
Rated surge voltage (1) [kV]	4 [kV]
Nominal current [A]	32 [A]

<b>Technical data</b>	
<i>Connection technology (1)</i>	<i>CAGE CLAMP®</i>
<i>Nominal cross section 1</i>	<i>4 mm<sup>2</sup></i>
<i>Solid sizes 1</i>	<i>0.2 ... 4 mm<sup>2</sup> / 24 ... 12 AWG</i>
<i>stranded, connectable 1</i>	<i>0.2 ... 4 mm<sup>2</sup> / 24 ... 12 AWG</i>
<i>Fine-stranded wires 1</i>	<i>0.14 ... 4 mm<sup>2</sup> / 24 ... 12 AWG</i>
<i>Strip length 1</i>	<i>11 mm / 0.43 in</i>
<i>Type of wiring</i>	<i>Side-entry wiring</i>
<i>Flammability rating per UL 94</i>	<i>V2</i>
<i>Weight [g]</i>	<i>1.6 [g]</i>
<i>Width</i>	<i>13.1 mm / 0.516 in</i>
<i>Height</i>	<i>8.3 mm / 0.327 in</i>
<i>Length</i>	<i>18.6 mm / 0.732 in</i>
<i>Safety information 1</i>	<i>In grounded power lines</i>

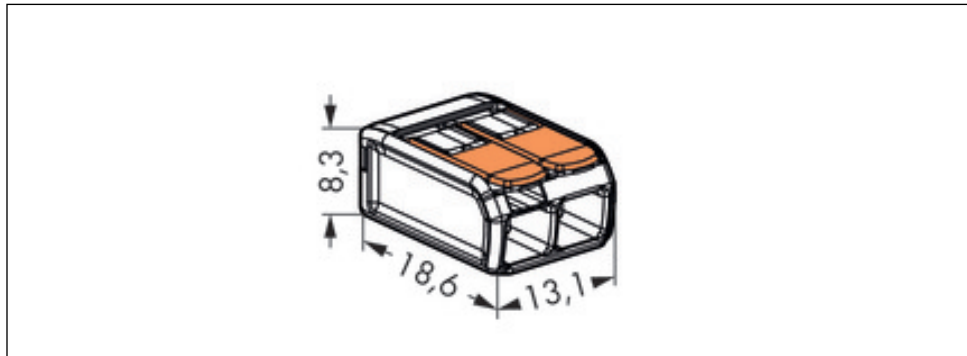
Printview: COMPACT splicing connectors for all wire types; 2-conductor terminal block; with operating levers; Max. operating temperature 85°C - Item No.: 221-412

---

## Images & drawings







### Address

WAGO Kontakttechnik GmbH & Co. KG

Hansastr. 27

32423 Minden

Telefon: 0571/887-0

Fax: 0571/887-169

<http://www.wago.com>

© WAGO Kontakttechnik GmbH & Co. KG

Technische Änderungen und Irrtümer vorbehalten.