

5305, 5310 SERIES

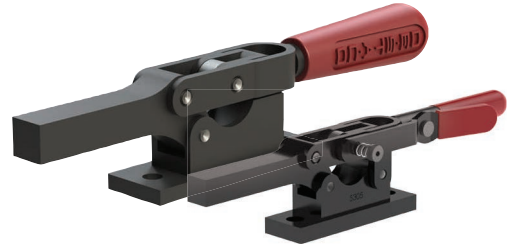
Heavy Duty Horizontal Hold Down Clamps | Product Overview

Features:

- Solid clamping arm may be modified to suit requirements
- Hardened steel pivot pins and bushings provide long life
- Black oxide finish
- DESTACO® Toggle Lock Plus versions available†

Applications:

- Welding fixtures
- Assembly fixtures
- Light machining

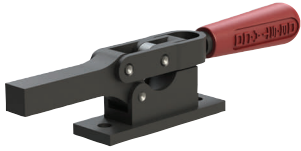


5305/5310
Flanged Base

5305-**B**/5310-**B**
Solid
Base

5305-**R**/5310-**R**
Flanged Base
with
DESTACO®
Toggle Lock
Plus

5305-**BR** ⓘ/5310-**BR** ⓘ
Solid Base
with
DESTACO®
Toggle Lock
Plus



Technical Information

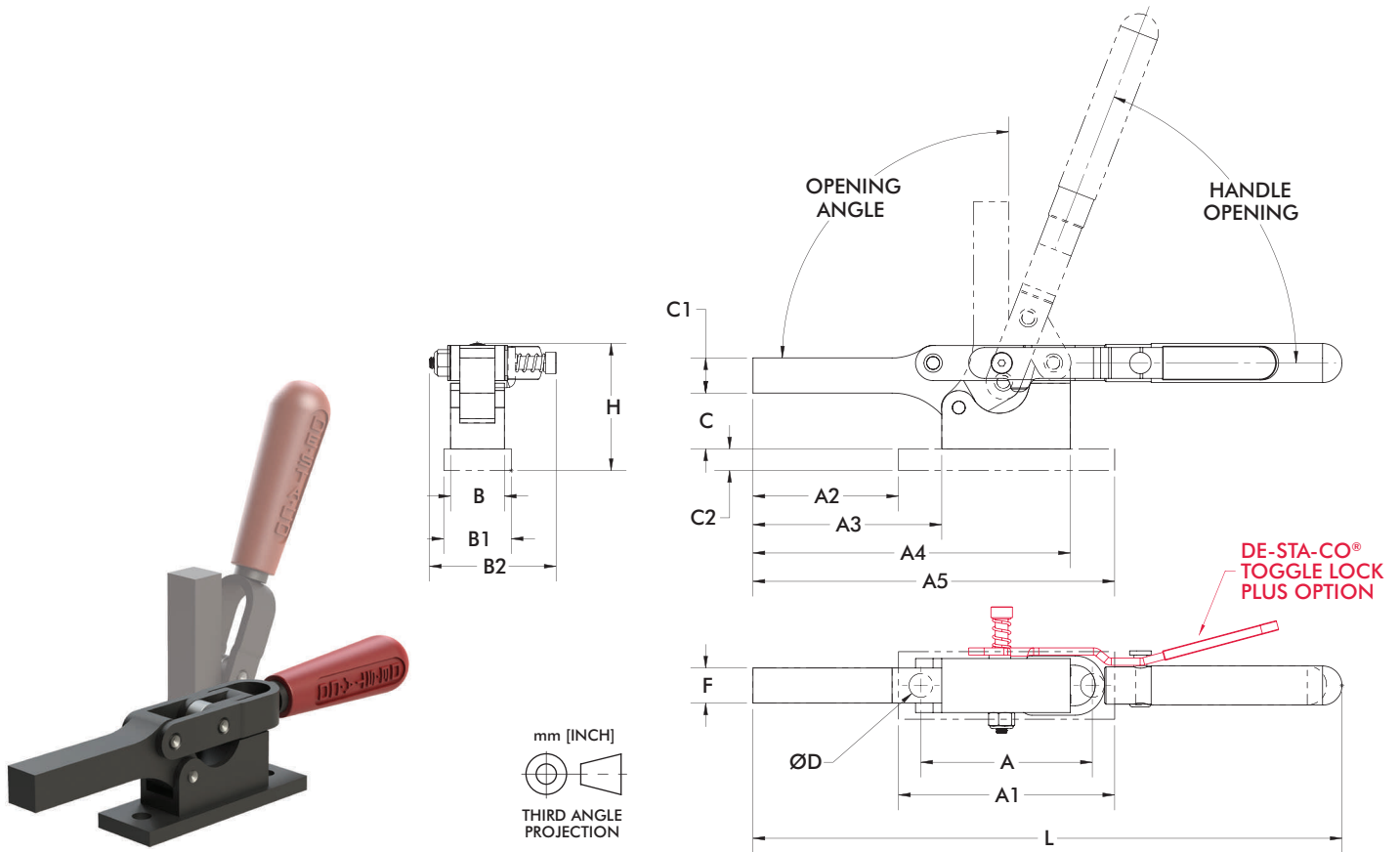
Model	Max. Holding Capacity	Clamp Bar Opening (+10°)	Handle Opening (+10°)	Weight
5305				[1.08lbs] 0,49kg
5305-B	[600lbf.] 2670N	90°	69°	[0.82lbs] 0,37kg
5305-R				[1.09lbs] 0,49kg
5305- BR ⓘ				[0.83lbs] 0,37kg
5310				[2.84lbs] 1,29kg
5310-B	[1300lbf.] 5780N	90°	69°	[2.24lbs] 1,02kg
5310-R				[2.87lbs] 1,30kg
5310- BR ⓘ				[2.27lbs] 1,03kg

ⓘ This item is available upon request.

† Toggle Lock Plus locks the handle in the closed position only.

5305, 5310 SERIES

Heavy Duty Horizontal Hold Down Clamps | Dimensions



Model	A	A1	A2	A3	A4	A5	B	B1	B2	C	C1	C2	D	F	H	L
5305	[2.50] 63,5	[3.15] 80,0	[2.12] 53,8	[2.75] 69,9	[4.63] 117,6	[5.27] 133,9	[0.79] 20,1	[0.98] 24,9	--	[0.81] 20,6	[0.51] 13,0	[0.31] 7,9	[0.35] 8,9	[0.51] 13,0	[1.51] 38,4	[8.36] 212,4
5305-R									[1.84] 46,7							
5310	[3.63] 92,2	[4.63] 117,6	[2.63] 66,8	[3.63] 92,2	[6.25] 158,8	[7.25] 184,2	[1.13] 28,7	[1.50] 38,1	--	[1.00] 25,4	[0.75] 19,1	[0.31] 7,9	[0.41] 10,4	[0.79] 20,1	[2.00] 50,8	[11.13] 282,6
5310-R									[2.31] 58,7							[11.02] 279,8

Model	A3	A4	B2	C	C1	F	H	L
5305-B	[2.75] 69,9	[4.63] 117,6	--	[0.81] 20,6	[0.51] 13,0	[0.51] 13,0	[1.51] 38,4	[8.36] 212,4
5305-BR ⓘ			[1.84] 46,7					
5310-B	[3.63] 92,2	[6.25] 158,8	--	[1.00] 25,4	[0.75] 19,1	[0.79] 20,1	[2.00] 50,8	[11.13] 282,6
5310-BR ⓘ			[2.31] 58,7					[11.02] 279,8

ⓘ This item is available upon request