

324, 334, 344, 374 SERIES

Pull Action Latch Clamps | Product Overview

Features:

- U-hook style latch clamps supplied with threaded U-hooks for easy adjustment
- Supplied with latch plate (except 374) and patented thumb control lever for one handed operation.
- DESTACO® Toggle Lock Plus versions available
- Stainless steel available as **-SS** models.

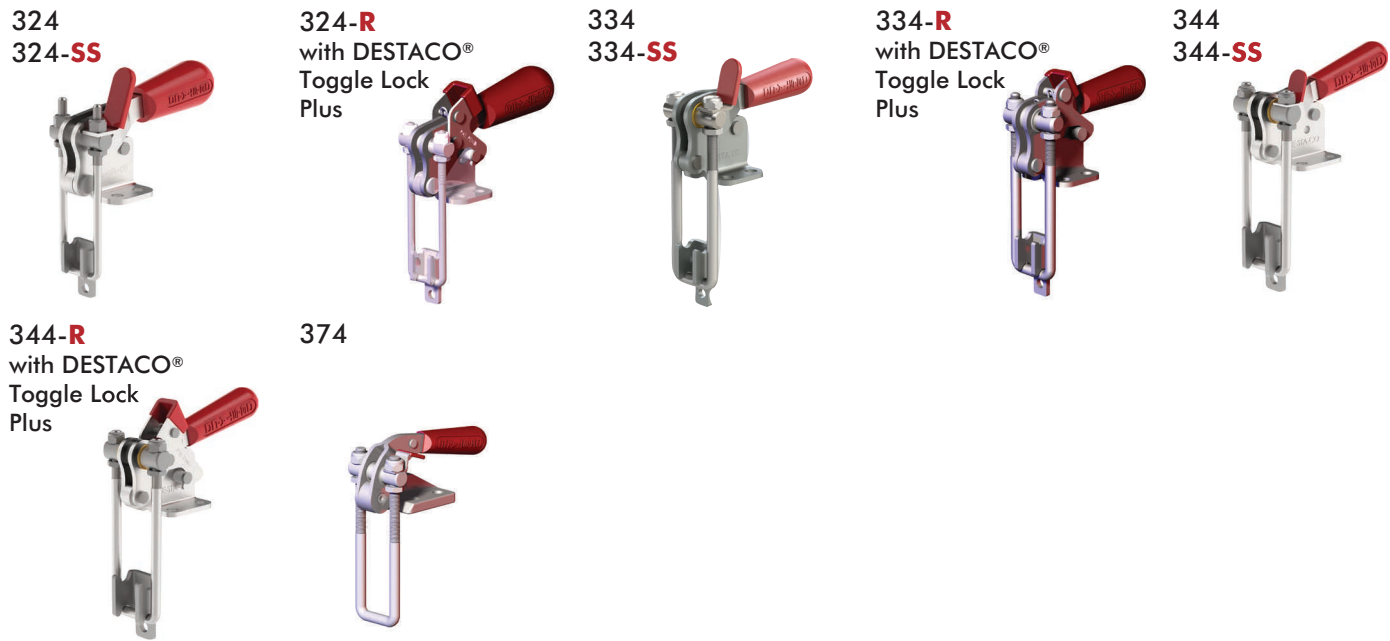
Applications:

- Molding
- Closures for doors, lids, covers
- Assembly

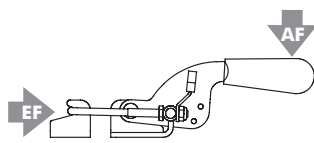
Also Available:

- Clamps with longer hooks available Upon Request that are 25mm, 50mm, 100mm longer than standard length
- To order clamp with longer hook, add **-M-25**, **-M-50**, or **-M-100** to the end of the model. Example: 324-**M-50**

Covered under one or more U.S./International Patents



Technical Information, Holding Capacities



Model	Max. Holding Capacity	Weight	EF:AF	(S) Drawing Movement	Latch Plate (Supplied)	Replacement Hook Assembly	Hook Adj. Range
324	[500 lbf] 2200 N	[0.25lb] 0,11kg	31:1	38,7 [1.53]	324101	324215	11.9 [0.47]
324-SS					324901	324915	
324-R					324101	324215	
334	[1000 lbf] 4450 N	[0.60lb] 0,27kg	45:1	51,7 [2.04]	334101	334915	19.3 [0.76]
334-SS					334901	334915	
334-R					334101	334215	
344	[2000 lbf] 8900 N	[1.50lb] 0,68kg	36:1	44,5 [1.75]	344101	344215	31 [1.22]
344-SS					344901	344915	
344-R					344101	344215	
374	[4000 lbf] 17800 N	[2.10lb] 0,95kg			None*	374215	53.8 [2.12]

EF = Exerting Force, AF = Applied Force *375509 Latch Plate may be used as an alternate.

324, 334, 344, 374 SERIES

Pull Action Latch Clamps | Dimensions | 324/334/374/-SS

324
324-SS



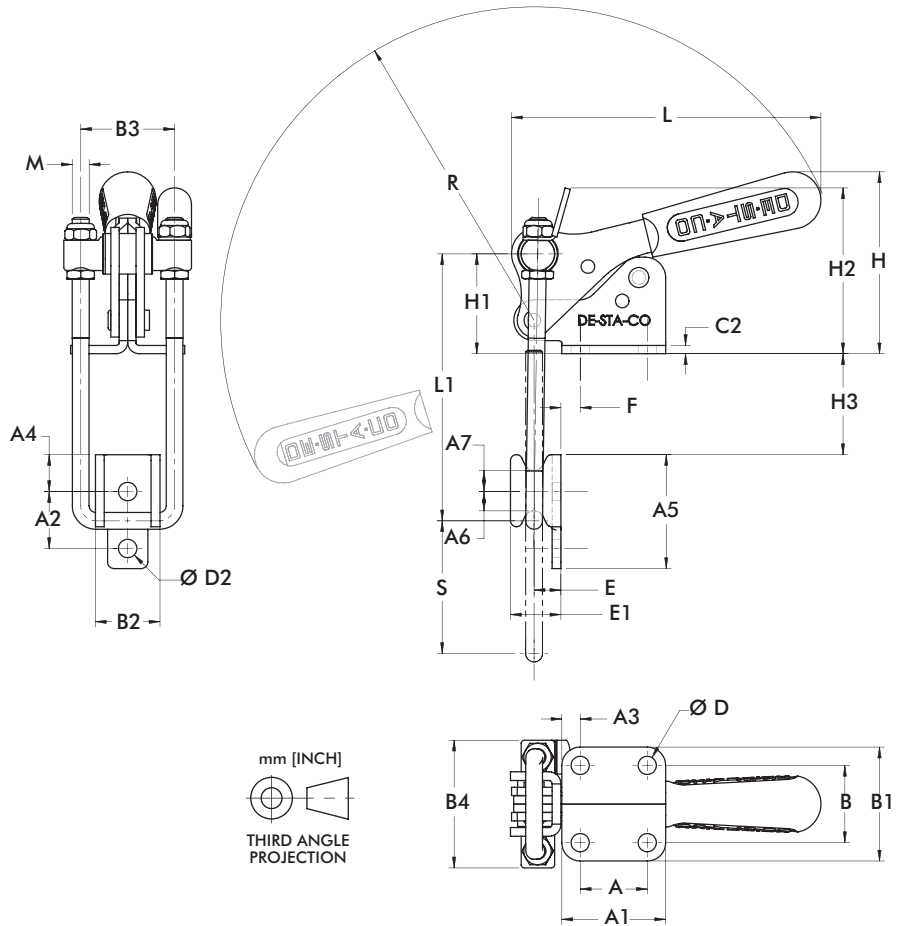
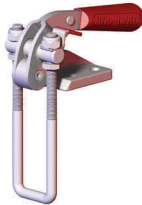
334
334-SS



344
344-SS



374



Model	A	A1	A2	A3	A4	A5	A6	A7	B	B1	B2	B3	B4	C2
324	[0.50]	[1.00]	[0.56]	[0.25]	[0.28]	[1.00]	[0.19]	[0.19]	[0.88]	[1.38]	[0.53]	[0.81]	[1.19]	[0.09]
324-SS	12,7	25,4	14,2	6,4	7,1	25,4	4,8	4,8	22,4	35,1	13,5	20,7	30,2	2,4
334	[0.75]	[1.31]	[0.81]	[0.28]	[0.41]	[1.50]	[0.28]	[0.28]	[1.00]	[1.56]	[0.68]	[1.13]	[1.63]	[0.12]
334-SS	19,1	33,3	20,6	7,1	10,4	38,1	7,1	7,1	25,4	39,6	17,4	28,7	41,4	3,1
344		[1.94]	[1.06]	[0.35]	[0.69]	[2.13]	[0.36]	[0.39]	[1.44]	[2.12]	[1.20]		[2.38]	[0.16]
344-SS	[1.25]	49,3	27	8,0	17,5	54	9,1	9,9	36,6	53,8	30,6	[1.75]	60,5	4
374	31,8	[2.43]	--	[0.68]	--	--	--	--	[1.50]	[2.50]	--	44,5	[2.36]	[0.37]
		61,7		17,3					38,1	63,5			60	9,4

Model	ØD	ØD2	F	H	H1	H2	H3	E	E1	L	L1 MAX	R	M	S
324	[0.20]	[0.17]	[0.25]	[1.91]	[1.10]	[1.97]	[0.92]	[0.19]	[0.38]	[3.49]	[2.56]	[3.49]	M4	[1.53]
324-SS	5,1	4,3	6,4	48,5	28	50,1	[23,4]	4,4	9,7	88,7	65,1	88,8 _a		38,7
334	[0.28]	[0.22]	[0.28]	[2,37]	[1.55]	[2.68]	[1.34]	[0.35]	[0.63]	[4.10]	[3.70]	[4.12]	M6	[2.04]
334-SS	7,1	5,6	7,1	60,1	39,3	68	34	8,8	16	104,2	94	104,5		51,8
344	[0.34]	[0.34]	[0.35]	[3.39]	[1.86]	[7.09]	[1.73]	[0.50]	[0.94]	[5.77]	[5.00]	[5.84]	M8	[2.46]
344-SS	8,6	8,6	8,9	86,1	47,3	78,6	49,1	12,7	23,8	146,6	126,9	148,4		62,4
374	[0.41]	--	[0.68]	[2.38]	[1.36]	--	[2.40]	--	--	[6.60]	[6.04]	[6.04]	M10	[1,75]
	10,3		17,3	60,5	34,5		61			167,8	153,5	153,5		44,5

324-R, 334-R, 344-R SERIES

Pull Action Latch Clamps | Dimensions | -R/-SS

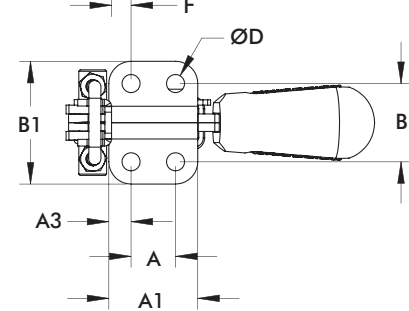
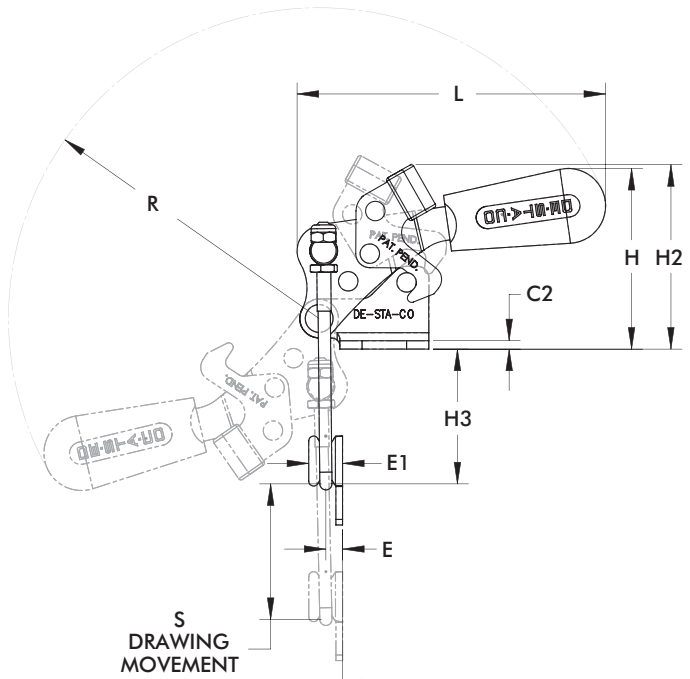
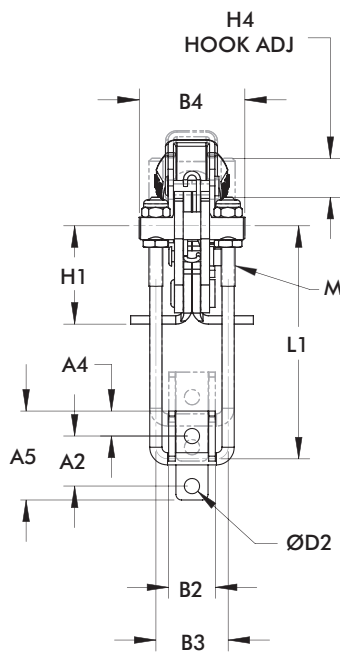
324-R
with DESTACO®
Toggle Lock
Plus



334-R
with DESTACO®
Toggle Lock
Plus



344-R
with DESTACO®
Toggle Lock
Plus



mm [INCH]
THIRD ANGLE PROJECTION

Model	A	A1	A2	A3	A4	A5	B	B1	B2	B3	B4	C2	D
324-R	[.50] 12.7	[1.00] 25.4	[.56] 14.3	[.25] 6.4	[.28] 7.1	[1.00] 25.4	[0.88] 22.4	[1.38] 35.1	[.52] 13.3	[0.81] 20.6	[0.44] 11.1	[0.09] 2.4	[0.20] 5.2
334-R	[.75] 19.1	[1.38] 34.9	[.81] 20.6	[.27] 7.0	[.41] 10.3	[2.13] 54.0	[1.00] 25.4	[1.56] 39.6	[0.68] 17.3	[1.13] 28.6	[1.63] 41.3	[0.12] 3.1	[0.28] 7.1
344-R	[1.25] 31,8	[1.94] 49.1	[1.06] 27.0	[.34] 8.7	[0.69] 17,5	[2.13] 54	[1.44] 36,6	[2.13] 54	[1.21] 30,6	[1.75] 44,5	[2.38] 60,5	[0.16] 4	[0.34] 8.6

Model	D2	E	E1	F	H	H1	H2	H3	H4	L	L1	M	S	R
324-R	[0.17] 4.4	[0.20] 5.2	[0.17] 4.4	[0.22] 5.6	[2.03] 51.6	[1.11] 28.1	[2.07] 52.7	[1.52] 38.5	[.44] 11.1	[3.47] 88.1	[2.62] 66.6	M4	[1.53] 38.7	[3.49] 88.8
334-R	[0.22] 5.6	[0.35] 8.8	[0.63] 15.9	[0.18] 4.5	[2.37] 60.2	[1.55] 39.3	[2.55] 64.7	[2.22] 56.3	[0.86] 21.8	[4.12] 104.6	[3.76] 95.6	M6	[2.04] 51.7	[4.10] 104.2
344-R	[0.34] 8,7	[0.50] 12,7	[0.94] 23,9	[0.36] 9,1	[3.40] 86,5	[1.86] 47,3	[3.39] 86.0	[3.17] 80.8	[1.22] 31	[5.77] 146.5	[5.04] 128.0	M8	[2.46] 62.4	[5.90] 150

324, 334, 344, 374 SERIES

Pull Action Latch Clamps | Replacement Hook Assembly Dimensions

Replacement Hook Assembly	Used on Clamp Model	A	B	C	M	Material
324215	324 324-R	[3.00] 76	[1.00] 25,4	[0.81] 20,6	M4X0.7	Steel
324215-M-25 ⓘ	324-M-25* 324-R-M-25*	[4.00] 101,6				
324215-M-50 ⓘ	324-M-50* 324-R-M-50*	[5.00] 127				
324215-M-100 ⓘ	324-M-100* 324-R-M-100*	[7.00] 178				
324915	334-SS	[3.00] 76	[1.50] 38,1	[1.13] 28,7	M6X1.0	Stainless Steel
324915-M-25 ⓘ	334-SS-M-25*	[4.00] 101,6				
324915-M-50 ⓘ	334-SS-M-50*	[5.00] 127				
324915-M-100 ⓘ	334-SS-M-100*	[7.00] 178				
334215	334 334-R	[4.31] 109,5	[2.25] 57,2	[1.75] 44,5	M8X1.25	Steel
334215-M-25 ⓘ	334-M-25* 334-R-M-25*	[5.31] 135				
334215-M-50 ⓘ	334-M-50* 334-R-M-50*	[6.31] 160,3				
334215-M-100 ⓘ	334-M-100* 334-R-M-100*	[8.31] 211				
334915	334-SS	[4.31] 109,5	[3.25] 82,6	M10X1.50	M10X1.50	Stainless Steel
334915-M-25 ⓘ	334-SS-M-25*	[5.31] 135				
334915-M-50 ⓘ	334-SS-M-50*	[6.31] 160,3				
334915-M-100 ⓘ	334-SS-M-100*	[8.31] 211				
344215	344 344-R	[5.81] 147,5	[3.25] 82,6	M10X1.50	M10X1.50	Steel
344215-M-25 ⓘ	344-M-25* 344-R-M-25*	[6.81] 173				
344215-M-50 ⓘ	344-M-50* 344-R-M-50*	[7.81] 198,5				
344215-M-100 ⓘ	344-M-100* 344-R-M-100*	[9.81] 249,2				
344915	344-SS	[5.81] 147,5	[10.50] 266,5	M10X1.50	M10X1.50	Stainless Steel
344915-M-25 ⓘ	344-SS-M-25*	[6.81] 173				
344915-M-50 ⓘ	344-SS-M-50*	[7.81] 198,5				
344915-M-100 ⓘ	344-SS-M-100*	[9.81] 249,2				
374215	374	[6.50] 165	[10.50] 266,5	M10X1.50	M10X1.50	Steel
374215-M-25 ⓘ	374-M-25*	[7.50] 190,5				
374215-M-50 ⓘ	374-M-50*	[8.50] 216				
374215-M-100 ⓘ	374-M-100*	[10.50] 266,5				

Hook assemblies are supplied with (2) jam nuts and (2) locknuts.

ⓘ This item is available upon request.

Replacement Thumb Control Lever	Used on Clamp Model
324-ZB1	324, 324-SS
334-ZB1	334, 334-SS
344-ZB1	344, 344-SS
375-ZB1	374

