

225 SERIES

Horizontal Hold Down Clamps | Product Overview

Features:

- Low profile
- Stainless steel model furnished without plastic grip
- Available with DESTACO® Toggle Lock Plus

Applications:

- Assembly
- Checking fixtures
- Closures
- Woodworking

Also Available:

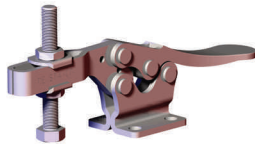
See page MC-ACC-1 for accessories
Accommodates M8 or 5/16" spindle accessory

Covered under one or more U.S./International Patents

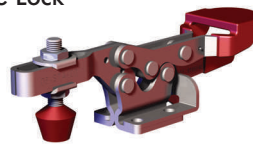
225-U
Flanged Base
U-Bar



225-USS
Flanged Base, U-Bar,
Stainless Steel



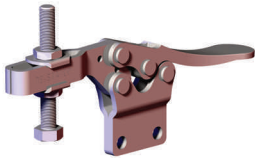
225-UR
Flanged Base, U-Bar
with DESTACO®
Toggle Lock
Plus



225-UB ⓘ
Straight Base
U Bar



225-UBSS ⓘ
Straight Base, U Bar,
Stainless Steel

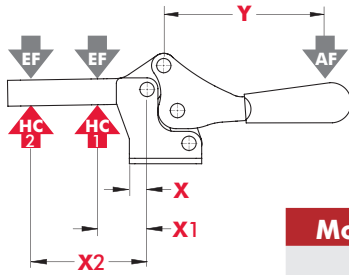


Note:
Clamps shown with included accessories.

Technical Information

Model	Max. Holding Capacity	Clamp Bar Opening (+10°)	Handle Opening (+10°)	Weight	Accessories (Supplied)	
					Spindle Assembly	Flanged Washers
225-U	2220 N [500 lbf]	92°	70°	0,25kg [0.55lb]	225208-M	507107
225-USS	2670 N [600 lbf]				207943-M	507907
225-UR	2220 N [500 lbf]			0,31kg [0.69lb]	225208-M	507107
225-UB ⓘ					0,25kg [0.55lb]	207943-M
225-UBSS ⓘ	2670 N [600 lbf]					

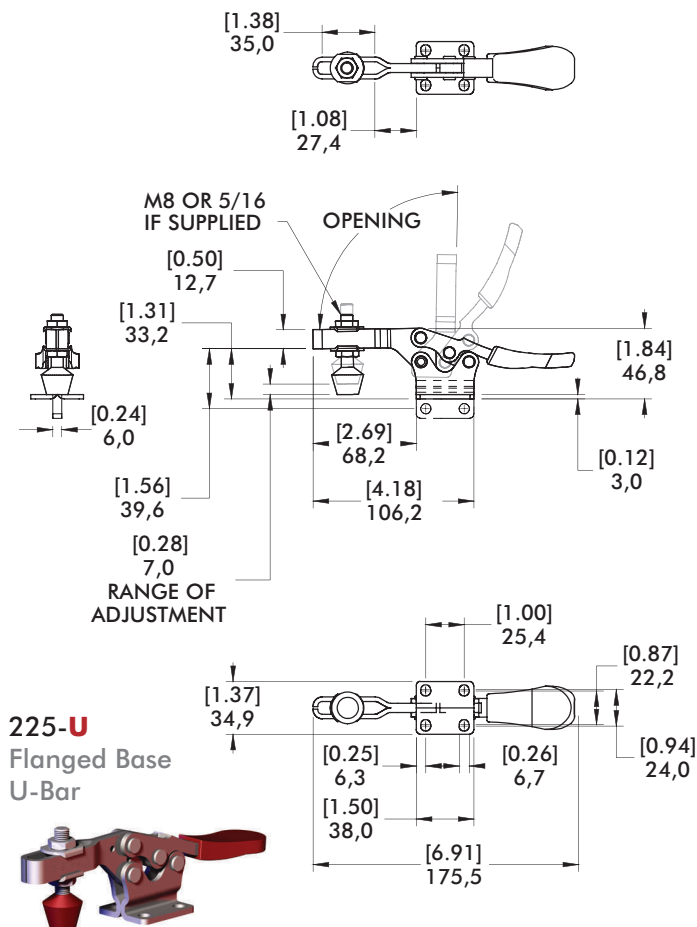
ⓘ This item is available upon request



Model	X	X1	X2	Y	±HC1	±HC2	±EF(X1):AF	±EF(X2):AF
U					[500lbf.] 2220N	[250lbf.] 1110N		
USS	[0.12] 3,0	[1.25] 31,8	[2.50] 63,5	[3.56] 90,4	[600lbf.] 2760N	[300lbf.] 1340N	12:1	5:1
UR/UB					[500lbf.] 2220N	[250lbf.] 1110N		
UBSS					[600lbf.] 2760N	[300lbf.] 1340N		

Dimensions shown "mm [inch]" ± HC = Holding Capacity, EF = Exerting Force, AF = Applied Force
Refer to See page MC-TEC-4 for additional information.

Dimensions | -U/-USS-/UB-/UBSS



Dimensions | -UR

