

207 SERIES

Vertical Hold Down Clamps | Product Overview

Features:

- Largest selection of arm and mounting options
- Low profile T-Handle version available
- Available in stainless steel
- BLK models feature a black, non-reflective finish

Applications:

- Checking fixtures
- Assembly & test
- Light machining
- Woodworking

Also Available:

See page MC-ACC-1 for accessories

807-U Pneumatic toggle clamp
(See page MC-PTC-8)

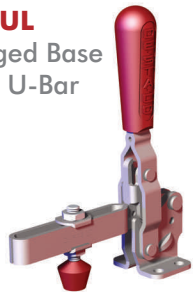
807-S Pneumatic toggle clamp
(See page MC-PTC-8)

Accepts M8 or 5/16 spindle accessories

207-U
Flanged Base
U-Bar



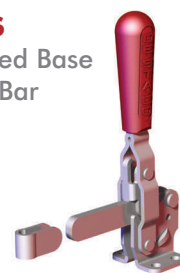
207-UL
Flanged Base
Long U-Bar



207-USS
Stainless
Flanged Base
U-Bar



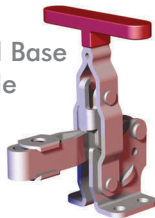
207-S
Flanged Base
Solid Bar



207-L
Flanged Base
Long Solid Bar



207-TU
Flanged Base
T-Handle
U-Bar



207-TUL
Flanged Base
T-Handle
Long U-Bar



207-UR
Flanged Base
U-Bar
with
DESTACO®
Toggle Lock
Plus



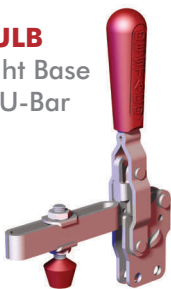
207-LR
Flanged Base
Long Solid Bar
with
DESTACO®
Toggle Lock
Plus



207-UB
Straight Base
U-Bar



207-ULB
Straight Base
Long U-Bar



207-SB
Straight Base
Solid Bar



207-LB
Straight Base
Long Solid
Bar



207-LBR ⓘ
Straight Base
Long Solid
Bar with
DESTACO®
Toggle Lock
Plus



207-UF ⓘ
U-Bar
Dual Mount



207-SF ⓘ
Solid Bar
Dual Mount



207-U-L ⓘ
Flange Base
Open Bar



207-U-L-BLK
Blackout Series
Flanged Base
Open U-Bar



207-UB-L ⓘ
Straight Base
Open Bar



207-UB-L-BLK
Blackout Series
Straight Base
Open U-Bar



207305

Flanged Grip. Provides added safety and protection. Fits all 207 Series (except T-Handle) clamps. Order separately.



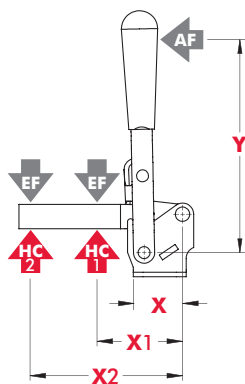
Note: Clamps shown with included accessories.

ⓘ This item is available upon request

Model	Max. Holding Capacity	Clamp Bar Opening (+10°)	Handle Opening (+10°)	Weight	Accessories (Supplied)				
					Bolt Retainer	Spindle Assembly	Flanged Washers		
207-U 207-UR 207-UL	1670 N [375 lbf]	99°	57°	0,30kg [0.67lb] 0,45kg [1.00lb] 0,30kg [.67lb]	---	225208-M	507107		
207-USS	2000 N [450 lbf]			---	207943-M	507907			
207-S 207-L 207-LR	2220 N [500 lbf]			207105	---	---			
207-UB 207-ULB	1670 N [375 lbf]			---	225208-M	507107			
207-SB 207-LB 207-LBR ⓘ	2220 N [500 lbf]			207105	---	---			
207-TU 207-TUL	1670 N [375 lbf]			---	---	507107			
207-UF ⓘ	1670 N [375 lbf]			96°	56°	0,43kg [0.94lb]	---	225208-M	507107
207-SF ⓘ	2220 N [500 lbf]			90°		0,38kg [0.84lb]	207105	---	---
207-U-L ⓘ 207-U-L-BLK ⓘ 207-UB-L ⓘ 207-UB-L-BLK ⓘ	1670 N [375 lbf]			99°	57°	0,38kg [0.84lb]	---	---	---

ⓘ This item is available upon request

Holding Capacities



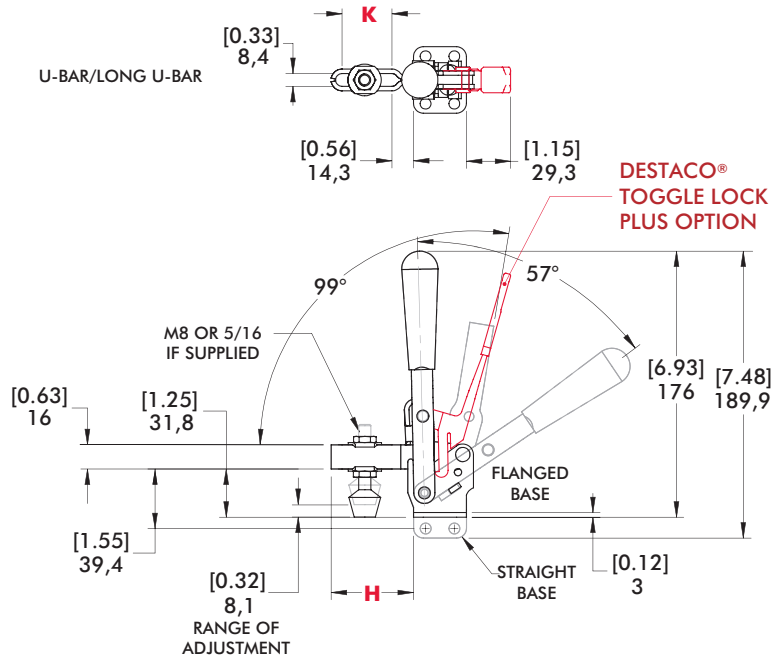
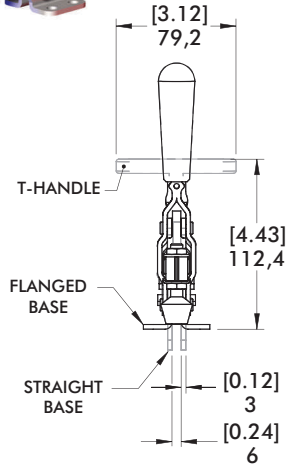
Model	X	X1	X2	Y	±HC1	±HC2	±EF(X1):AF	±EF(X2):AF
U/UB/UR		[2.00] 50,8	[3.75] 95,3		[375 lbf] 1670N	[225 lbf] 1000N	12:1	6:1
UL/ULB		[3.88] 98,5	[5.00] 127			[150 lbf] 670N	7:1	4:1
USS		[2.00] 50,8	[3.75] 95,3	[4.90] 124,5	[450 lbf] 2000N	[240 lbf] 1070N		5:1
S/SB		[2.88] 73,0			[500 lbf] 2220N	[350 lbf] 1560N	10:1	7:1
L/LR LB/LBR	[1.28] 32,6	[2.88] 73,0	[5.00] 127					5:1
TU		[2.00] 50,8	[3.75] 95,3	[3.66] 9	[375 lbf] 1670N	[225 lbf] 1000N	6:1	4:1
TUL		[3.88] 98,5	[5.00] 127			[150 lbf] 670N	4:1	3:1
U-L		[2.00] 50,8	[3.75] 95,3	[4.90] 124,5	[375 lbf] 1670N	[2225 lbf] 1000N	12:1	6:1
UB-L								

Dimensions shown "mm [inch]" ± HC = Holding Capacity, EF = Exerting Force, AF = Applied Force

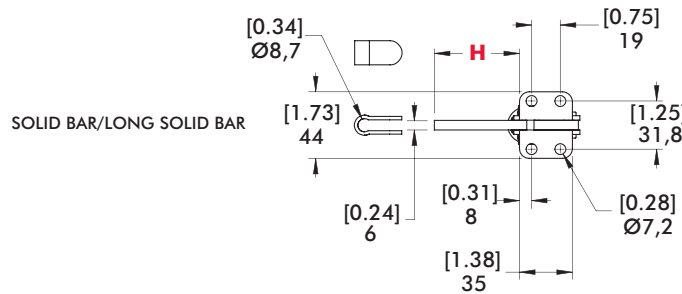
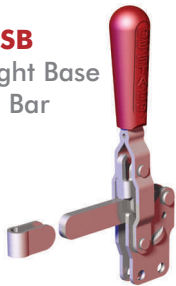
207 SERIES

Vertical Hold Down Clamps | Dimensions | -U/-UL/-S/-L/-TU/-TUL/-UR/-LR/-UB/-ULB/-SB/-LB/-LBR

207-U
Flanged Base
U-Bar



207-SB
Straight Base
Solid Bar



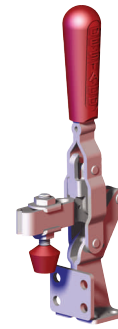
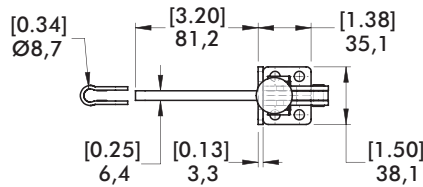
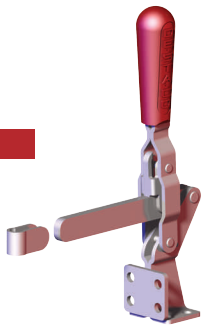
mm [INCH]
THIRD ANGLE PROJECTION

Bar Style	Clamp Models	H	K
	207-U/207-UR/207-TU/207-UB	[2.14] 54,4	[1.30] 33
	207-UL/207-ULB/207-TUL	[3.84] 97,6	[2.94] 74,6
	207-S/207-SB	[2.21] 56,2	---
	207-L/207-LR/207-LB/207-LBR ⓘ	[3.48] 88,4	---

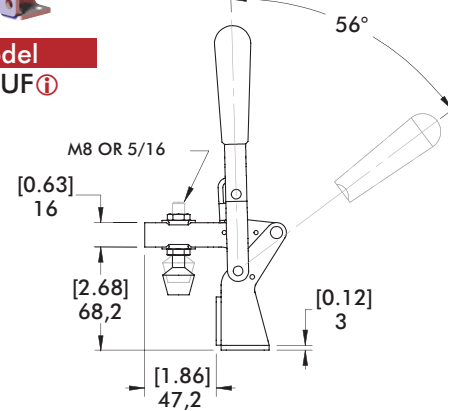
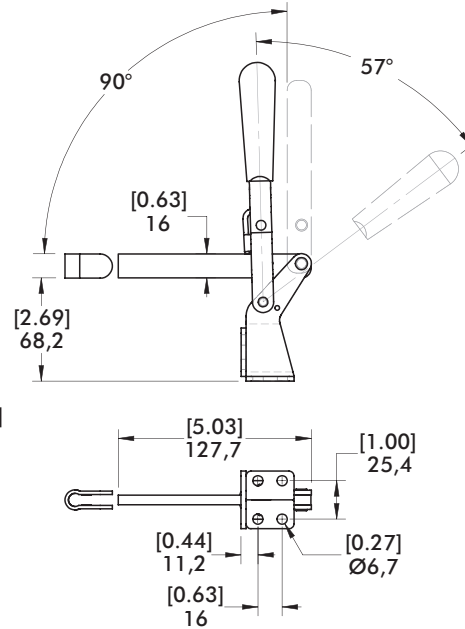
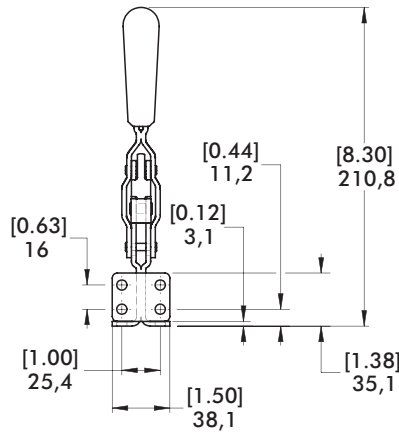
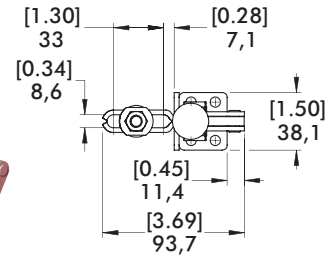
ⓘ This item is available upon request

Vertical Hold Down Clamps | Dimensions | Dual Mount

Model
207-SF ⓘ



Model
207-UF ⓘ



ⓘ This item is available upon request

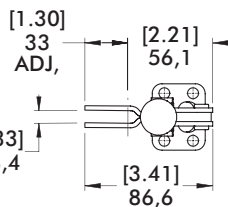
Open Bar Option

See page MC-ACC-7 for Complete offering of Open bar accessories



Flanged Base
Model

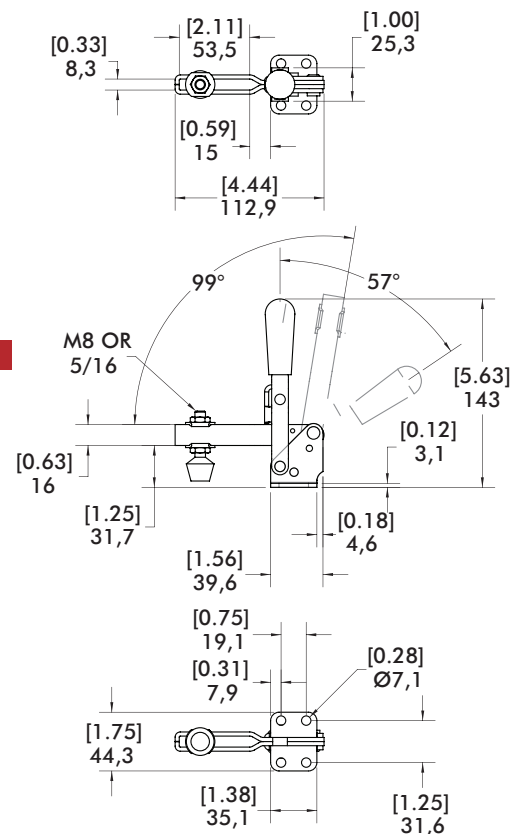
207-U-L ⓘ
207-U-L-BLK ⓘ



Stainless Steel



Model
207-USS



Straight Base
Model

207-UB-L ⓘ
207-UB-L-BLK ⓘ

