

# 2013 SERIES

## Horizontal Hold Down Clamps | Product Overview

### Features:

- Increased handle clearance reduces pinch points
- Common mounting hole pattern to Model 213
- Fixed handle pivot provides smooth action
- Nearly 2 times the holding capacity Model 213
- BLK models feature a black, non-reflective finish

### Applications:

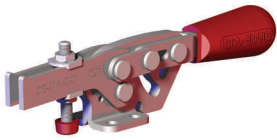
- Checking fixtures
- Assembly & test
- Light machining
- Woodworking
- Closures

### Also Available:

See page MC-ACC-1 for accessories  
Accommodates M5 or #10 spindle accessory

Covered under one or more U.S./International Patents

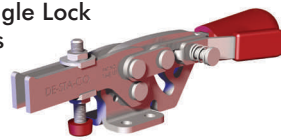
**2013-U**  
Flanged Base  
U-Bar



**2013-U-LS-BLK** ⓘ  
Blackout Series  
Flanged Base, U-Bar



**2013-UR**  
Flanged Base, U-Bar  
with DESTACO®  
Toggle Lock  
Plus



Note: Clamps shown with included accessories.

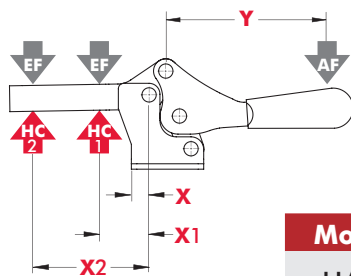
ⓘ This item is available upon request

## Technical Information

Model	Max. Holding Capacity	Clamp Bar Opening (+10°)	Handle Opening (+10°)	Weight	Accessories (Supplied)	
					Spindle Assembly	Flanged Washers
2013-U	1310 N [295 lbf]	71°	58°	0,17kg [0.37lb]	2013208-M	102111
2013-U-LS-BLK ⓘ					--	102111-BLK
2013-UR					2013208-M	102111

ⓘ This item is available upon request

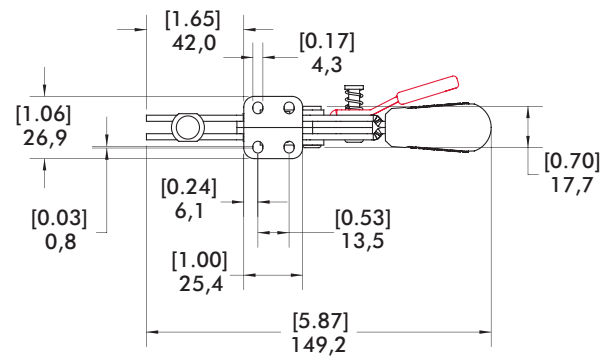
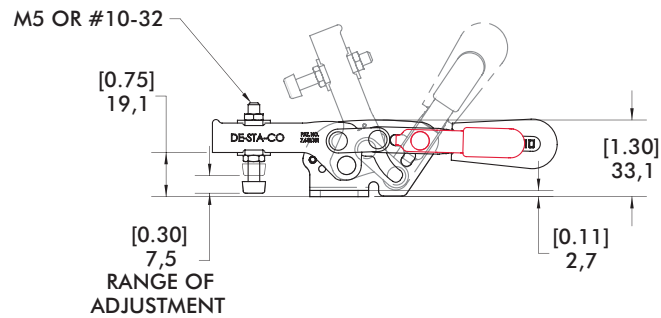
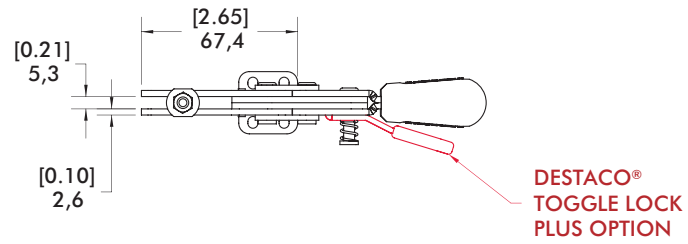
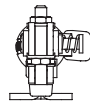
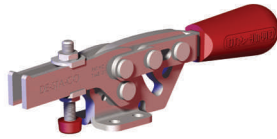
## Holding Capacities



Model	X	X1	X2	Y	‡HC1	‡HC2	‡EF(X1):AF	‡EF(X2):AF
U/UR	[0.63] 16	[0.95] 24	[1.95] 49,5	[2.34] 59,5	[295lbf.] 1310N	[175lbf.] 780N	6:1	4:1

Dimensions shown "mm [inch]" ‡ HC = Holding Capacity, EF = Exerting Force, AF = Applied Force  
Refer to See page MC-TEC-4 for additional information.

**2013-U**  
Flanged Base  
U-Bar



mm [INCH]  
THIRD ANGLE  
PROJECTION