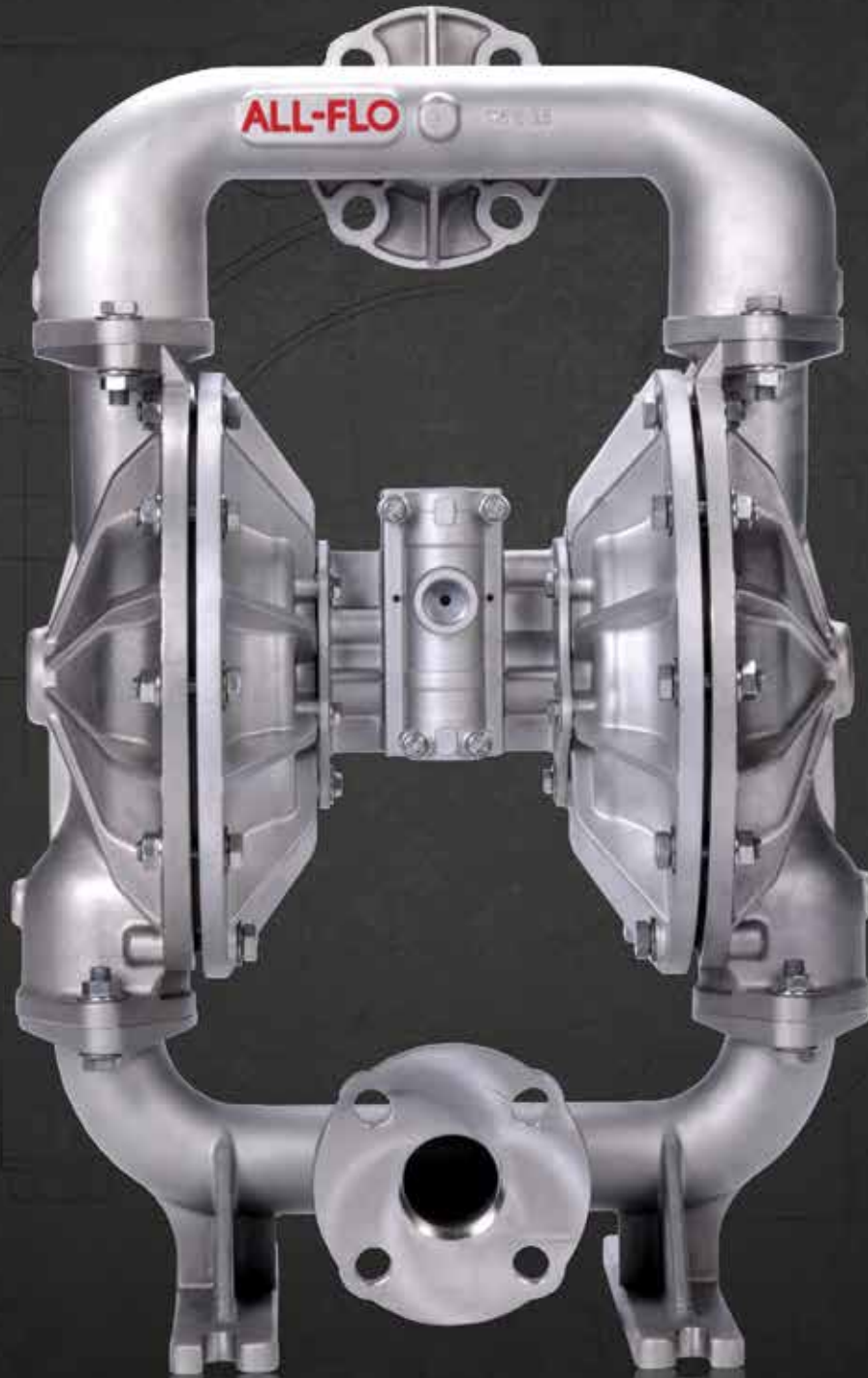




ALL-FLO
PUMP CO.



A200 - 2 INCH AIR OPERATED DOUBLE DIAPHRAGM PUMP

A200 2" PUMP



2" ALUMINUM

- NPT or BSP Connections
- Zinc Plated Hardware
- Non-Metallic Muffler
- Suction Center Front / Discharge Center Rear Standard Porting

2" STAINLESS STEEL

- ANSI/DIN Flange, Combination ANSI DIN Flange & NPT or Combination ANSI/DIN Flange & BSP
- Stainless Steel Hardware
- Non-Metallic Muffler
- Suction Center Front / Discharge Center Rear Standard Porting

SPECIFICATIONS

Dimension

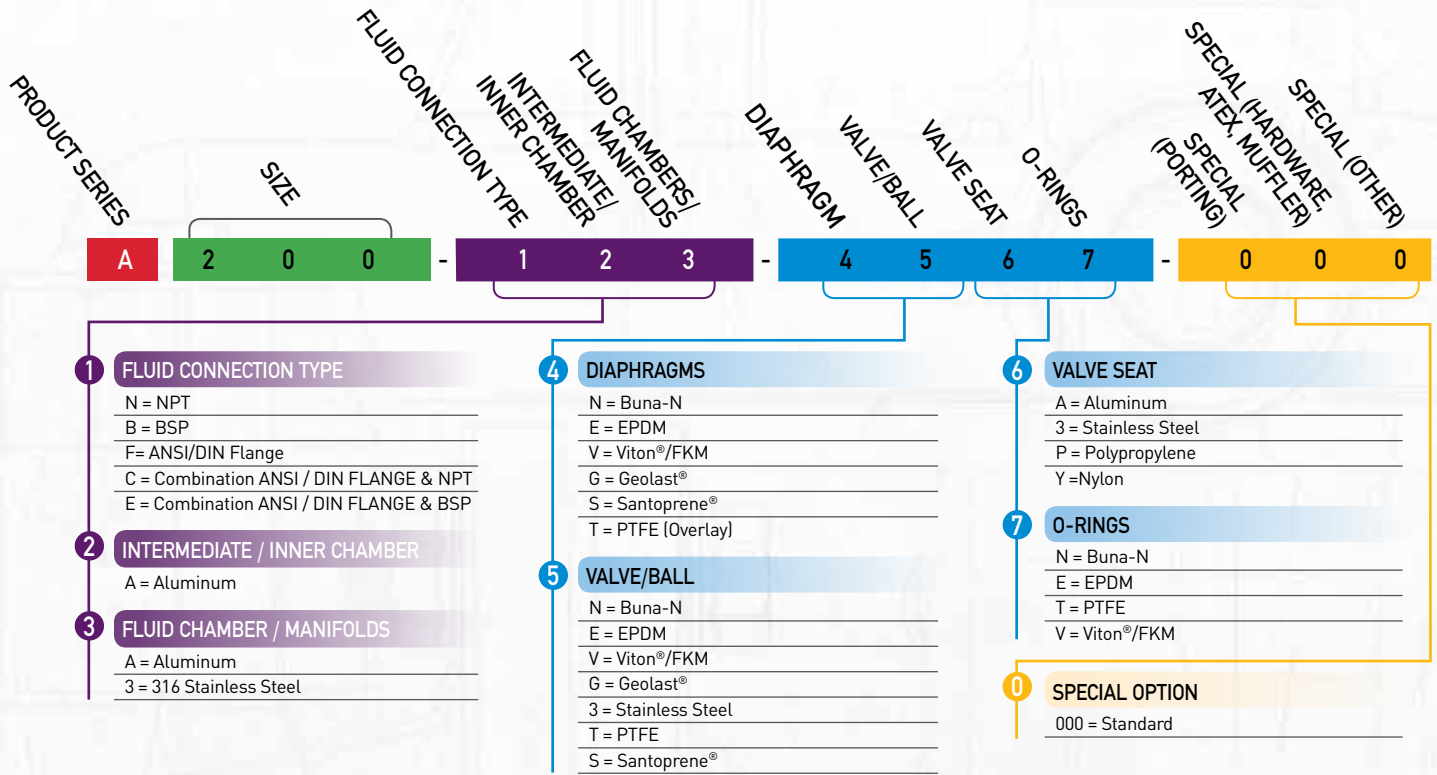
Air Inlet	3/4" (19mm)
Liquid Inlet	2" (51mm)
Liquid Outlet	2" (51mm)
Pump Weight Aluminum	62 lbs (28kg)
Pump Weight Stainless Steel	130 lbs (59 kg)

Performance

Max. Flow:	190 GPM (719 lpm)
Max. Air Pressure:	120 PSI (8.3 bar)
Max. Solids:	1/4" (6.4 mm)
Max. Suction Lift Dry:	24 ft-H ₂ O (7.3 m-H ₂ O)
Max. Suction Lift Dry with PTFE:	19 ft-H ₂ O (5.8 m-H ₂ O)
Max. Suction Lift Wet:	32 ft-H ₂ O (9.8 m-H ₂ O)
Noise Level (with muffler):	76 dB (103 none)

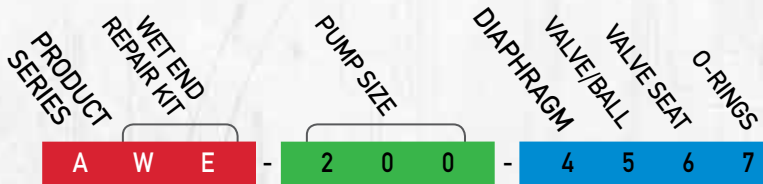


A200 2" MODEL DESIGNATION MATRIX



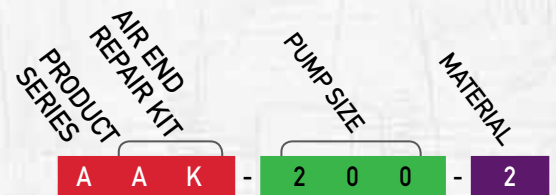
WET END REPAIR KIT

Wet end kit contains 2 diaphragms, (2 back-up diaphragms if required), 4 balls, 4 seats, and 4 seat o-rings.



AIR END REPAIR KIT

Air end repair kit contains pilot sleeve assembly and main air valve.



INTERMEDIATE / INNER CHAMBER
 A = Aluminum

QUICK SHIP CONFIGURATIONS

Ships in All-Flo Standard Lead Time

STOCK PUMP MODELS

ALUMINUM

NPT Connection

- A200-NAA-GGPN-000
- A200-NAA-SSPE-000
- A200-NAA-TTYT-000

BSP Connection

- A200-BAA-GGPN-000
- A200-BAA-SSPE-000
- A200-BAA-TTYT-000

STAINLESS STEEL

ANSI/DIN Flange Connection

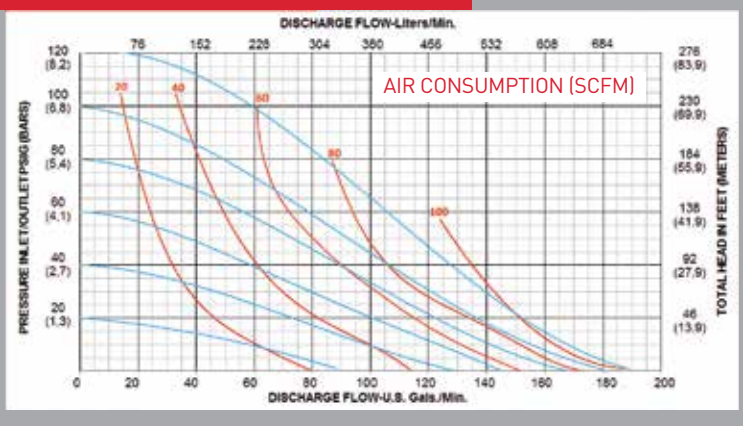
- A200-CA3-GG3N-000
- A200-CA3-SS3E-000
- A200-CA3-TT3T-000

Many additional pump configurations are available upon request. Lead time may vary depending on configuration. Please contact factory for more information.



A200 2" PERFORMANCE CURVES

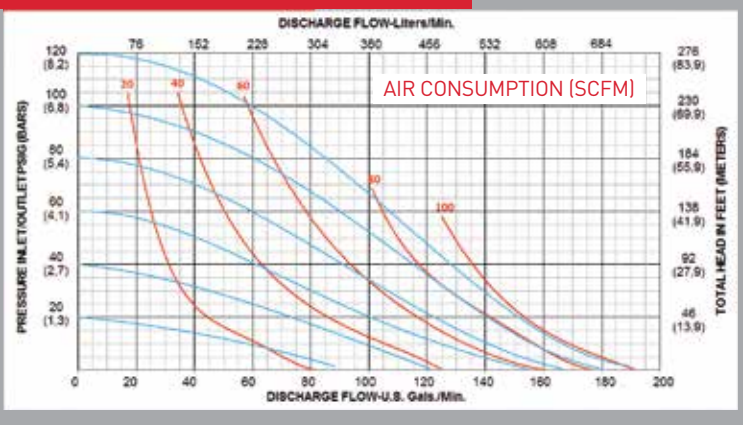
PERFORMANCE CURVE (2" RUBBER)*



Performance Specifications

Max. Flow:	190 gpm (719 lpm)
Max. Air Pressure:	120 psi (8.3 bar)
Max. Solids:	1/4" (6.4 mm)
Max. Suction Lift Dry:	24.4 ft-H ₂ O (7.4 m-H ₂ O)
Max. Suction Lift Wet:	31.7 ft-H ₂ O (9.7 m-H ₂ O)
Weight:	AL-62 lbs (28 kg) / SS-130 lbs (59 kg)
Air Inlet	3/4" FNPT
Liquid Inlet	2" FNPT, 2" FBSP, or ANSI/DIN Flanged
Liquid Outlet	2" FNPT, 2" FBSP, or ANSI/DIN Flanged
Height	26.3" (668 mm) AL / 29.5" (749 mm) SS
Width	19.5" (495 mm) AL / 19.1" (483 mm) SS
Depth	13.5" (343 mm) AL / 14.9" (378 mm) SS

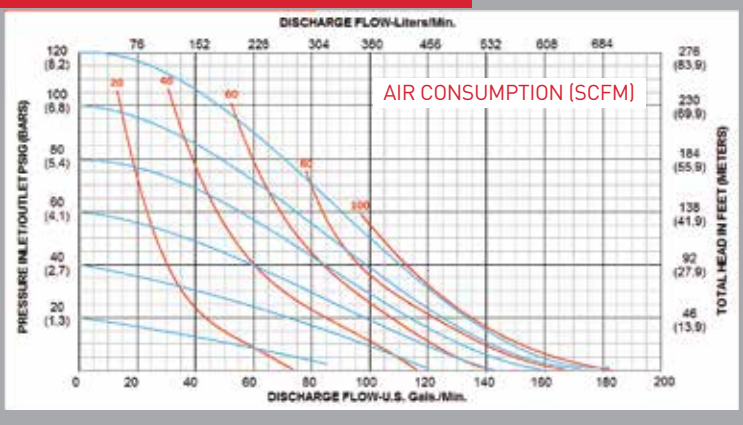
PERFORMANCE CURVE (2" TPE)*



Performance Specifications

Max. Flow:	190 gpm (719 lpm)
Max. Air Pressure:	120 psi (8.3 bar)
Max. Solids:	1/4" (6.4 mm)
Max. Suction Lift Dry:	24.4 ft-H ₂ O (7.4 m-H ₂ O)
Max. Suction Lift Wet:	31.7 ft-H ₂ O (9.7 m-H ₂ O)
Weight:	AL-62 lbs (28 kg) / SS-130 lbs (59 kg)
Air Inlet	3/4" FNPT
Liquid Inlet	2" FNPT, 2" FBSP, or ANSI/DIN Flanged
Liquid Outlet	2" FNPT, 2" FBSP, or ANSI/DIN Flanged
Height	26.3" (668 mm) AL / 29.5" (749 mm) SS
Width	19.5" (495 mm) AL / 19.1" (483 mm) SS
Depth	13.5" (343 mm) AL / 14.9" (378 mm) SS

PERFORMANCE CURVE (2" PTFE)*



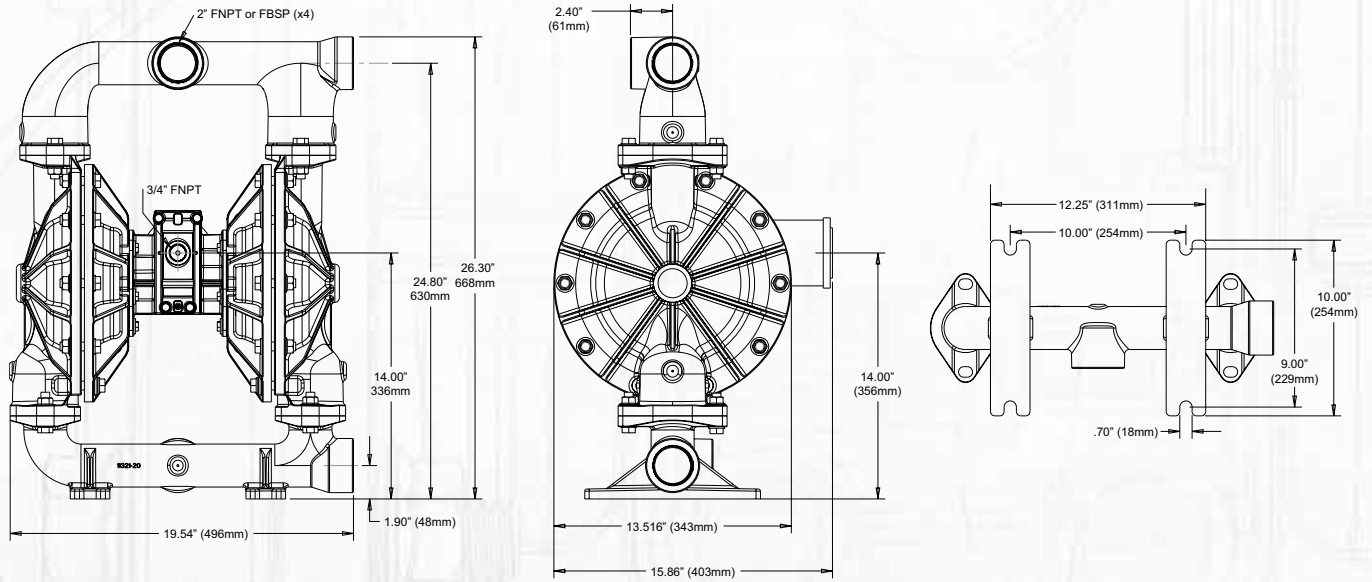
Performance Specifications

Max. Flow:	180 gpm (681 lpm)
Max. Air Pressure:	120 psi (8.3 bar)
Max. Solids:	1/4" (6.4 mm)
Max. Suction Lift Dry:	19.3 ft-H ₂ O (5.8 m-H ₂ O)
Max. Suction Lift Wet:	31.7 ft-H ₂ O (9.7 m-H ₂ O)
Weight:	AL-62 lbs (28 kg) / SS-130 lbs (59 kg)
Air Inlet	3/4" FNPT
Liquid Inlet	2" FNPT, 2" FBSP, or ANSI/DIN Flanged
Liquid Outlet	2" FNPT, 2" FBSP, or ANSI/DIN Flanged
Height	26.3" (668 mm) AL / 29.5" (749 mm) SS
Width	19.5" (495 mm) AL / 19.1" (483 mm) SS
Depth	13.5" (343 mm) AL / 14.9" (378 mm) SS

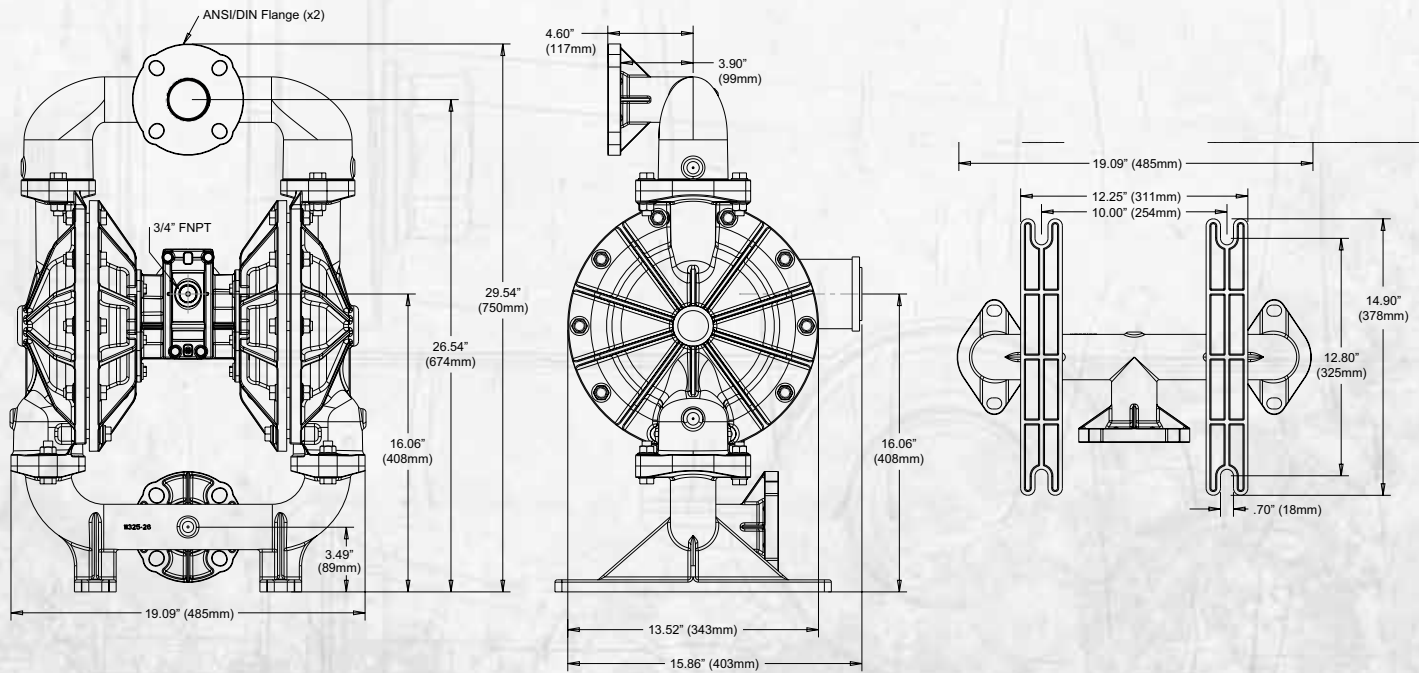
*Flow rates indicated on all three charts shown were determined by pumping water at flooded suction, using an aluminum intermediate fitted pump. For optimum life and performance, pumps should be specified so that daily operation parameters will fall in the center of the pump performance curve.

A200 2" PUMP DIMENSIONS

2" PUMP DIMENSIONS - ALUMINUM



2" PUMP DIMENSIONS - STAINLESS STEEL





AUTO/PLATING & FINISHING



CERAMIC SLIP / GLAZE



CHEMICAL / PETROCHEMICAL



FOOD & BEVERAGE



MINING



OEMS



OIL & GAS / REFINERY



PAINT & COATING

ALL-FLO is committed to the pursuit of designing and manufacturing the highest quality product available to industry. Since the beginning in 1986, All-Flo engineers have used their extensive knowledge of today's engineered materials, advanced air system logic and manufacturing techniques to develop the superior group of lube-free, air-operated diaphragm pumps found in this catalog. Every pump is performance engineered and quality built to provide trouble-free service under the toughest conditions.



7750 Tyler Blvd.
Mentor, Ohio 44060
phone: 440.354.1700
fax: 440.354.9466
all-flo.com

13965-A200_Rev_A1

YOUR AUTHORIZED ALL-FLO DISTRIBUTOR