

# 1" (25mm) HEAVY DUTY CLAMPED STYLE PUMP



## 1" (25mm) HEAVY DUTY CLAMPED STYLE PUMP

Reliable polypropylene air center section combined with non-metallic clamped casing materials ensure maximum chemical compatibility. Available in a variety of materials and options.

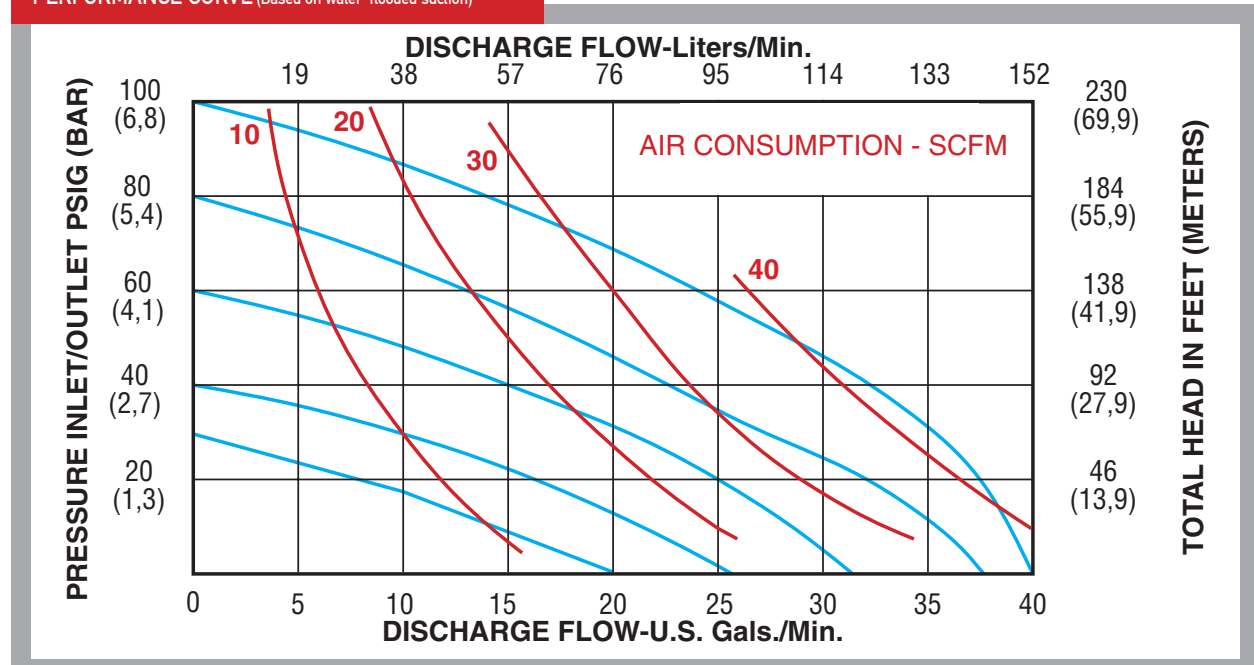
- Suitable for Clean Fluids, Slurries or up to 1/4" Solids
- Heavy Duty Air Valve
- Non-Metallic Wetted Components
- Muffler Included

## SPECIFICATIONS

Dimension	
Physical Dimensions	See Drawing Page 76
Air Inlet	1/4"
Liquid Inlet	1" (25 mm)
Liquid Outlet	1" (25 mm)
Weight	See Product Tables
Performance	
Maximum Flow	40 gpm (152 lpm)
Maximum Air Pressure	100 psi (6.8 bar)
Maximum Solids	1/4" (6.4 mm)
Max Suction Lift Dry	15 ft (4.5 m)
Max Suction Lift Wet	26 ft (7.9 m)
Max Suction Lift Dry with PTFE	10 ft (3 m)
Max Temperature	See Product Tables
Noise Level (with muffler)	80 dBA



PERFORMANCE CURVE (Based on water-flooded suction)



**1" (25mm) - POLYPROPYLENE** - A non-metallic material, suitable for water, caustics, soap solutions, mild acids and general purpose applications. Please consult chemical compatibility tables or [www.all-flo.com](http://www.all-flo.com) for your particular application.

PART NUMBER	DIAPHRAGM MATERIAL	VALVE/BALL MATERIAL	VALVE SEAT MATERIAL	O-RING MATERIAL	FASTENER MATERIAL	WEIGHT LBS (KG)	MAX TEMPERATURE °F (°C)	DIMENSIONAL DIAGRAM	CONNECT TYPE
NN-10	Geolast®	Nitrile	Polypropylene	Nitrile	SS & PS	26 (11.8)	150 (66)	Pg. 76	NPT
NC-10	Geolast®	Geolast®	Polypropylene	Nitrile	SS & PS	26 (11.8)	150 (66)	Pg. 76	NPT
BK-10	PTFE	PTFE	Polypropylene	PTFE	SS	26 (11.8)	150 (66)	Pg. 76	NPT
BK-10E	Santoprene®	Santoprene®	Polypropylene	EPDM	SS	26 (11.8)	150 (66)	Pg. 76	NPT
BK-10V	VITON®	Viton®	Polypropylene	Viton®	SS	26 (11.8)	150 (66)	Pg. 76	NPT
NN-10-P15	Geolast®	Nitrile	Polypropylene	Nitrile	SS & PS	26 (11.8)	150 (66)	Pg. 76	BSP
NC-10-P15	Geolast®	Geolast®	Polypropylene	Nitrile	SS & PS	26 (11.8)	150 (66)	Pg. 76	BSP
BK-10-P15	PTFE	PTFE	Polypropylene	PTFE	SS	26 (11.8)	150 (66)	Pg. 76	BSP
BK-10E-P15	Santoprene®	Santoprene®	Polypropylene	EPDM	SS	26 (11.8)	150 (66)	Pg. 76	BSP
BK-10V-P15	VITON®	Viton®	Polypropylene	Viton®	SS	26 (11.8)	150 (66)	Pg. 76	BSP

**1" (25mm) - PVDF** - Polyvinylidene fluoride suitable in applications requiring the highest purity, strength, and resistance to solvents, acids, and bases. Please consult chemical compatibility tables or [www.all-flo.com](http://www.all-flo.com) for your particular application.

PART NUMBER	DIAPHRAGM MATERIAL	VALVE/BALL MATERIAL	VALVE SEAT MATERIAL	O-RING MATERIAL	FASTENER MATERIAL	WEIGHT LBS (KG)	MAX TEMPERATURE °F (°C)	DIMENSIONAL DIAGRAM	CONNECT TYPE
KN-10	PTFE	PTFE	PVDF	PTFE	SS	27 (12.2)	200 (93)	Pg. 75	NPT
KN-10E	Santoprene®	Santoprene®	PVDF	EPDM	SS	27 (12.2)	200 (93)	Pg. 75	NPT
KN-10V	Viton®	Viton®	PVDF	Viton®	SS	27 (12.2)	200 (93)	Pg. 75	NPT
KN-10-P15	PTFE	PTFE	PVDF	PTFE	SS	27 (12.2)	200 (93)	Pg. 75	BSP
KN-10E-P15	Santoprene®	Santoprene®	PVDF	EPDM	SS	27 (12.2)	200 (93)	Pg. 75	BSP
KN-10V-P15	Viton®	Viton®	PVDF	Viton®	SS	27 (12.2)	200 (93)	Pg. 75	BSP

**AVAILABLE OPTIONS** - Each pump can be configured to suit a particular application. Please see the options section for detailed product information on the following available options.

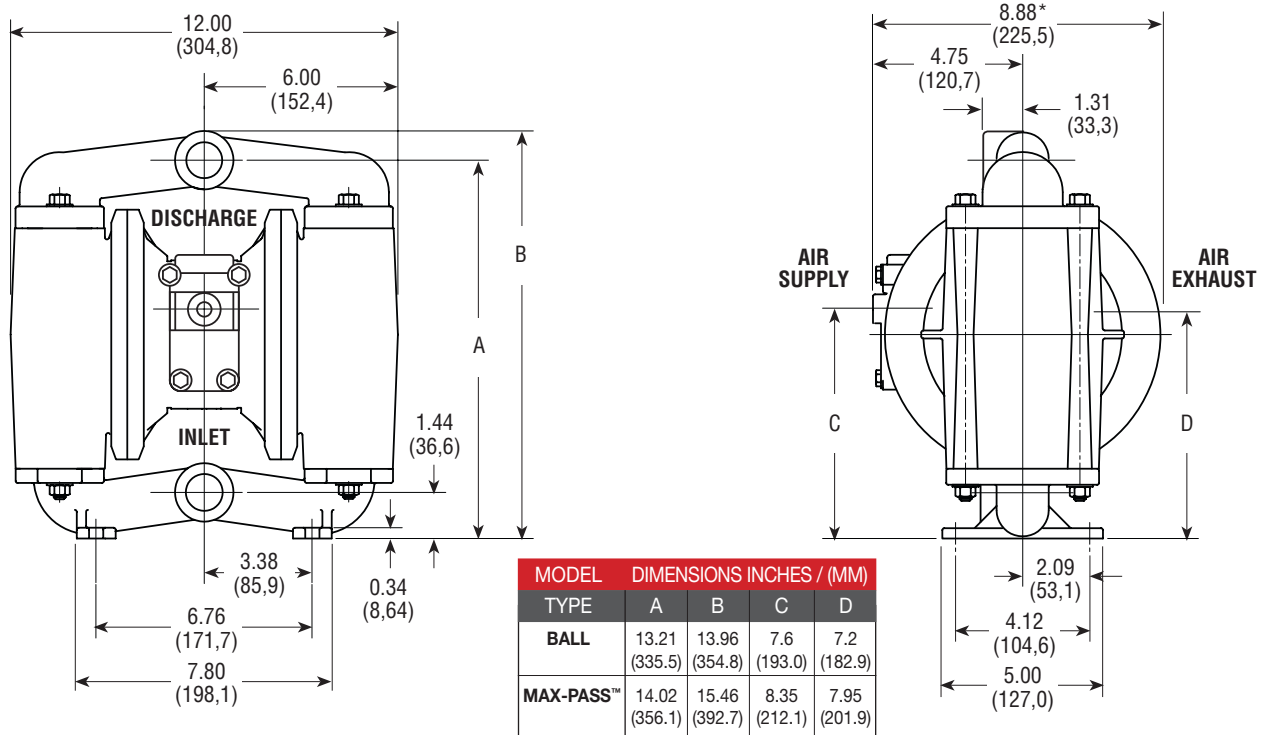
AIR VALVE OPTIONS	SEE PAGE 67
CYCLE COUNT VALVE	
BALL VALVE OPTIONS	SEE PAGE 67
GEOLAST®	PTFE
SANTOPRENE®	HEAVY NITRILE
FDA NITRILE	STAINLESS STEEL
HARDWARE OPTIONS	SEE PAGE 67
PTFE COATED HARDWARE	
O-RINGS	SEE PAGE 67
PTFE O-RINGS	NITRILE O-RINGS
EPDM O-RINGS	VITON® O-RINGS
PORTING OPTIONS	SEE PAGE 68
DUAL SUCTION / DISCHARGE	BSP THREADS
DISCHARGE UP, AIR INLET	
SUCTION / DOWN, AIR INLET	
VALVE SEAT OPTIONS	SEE PAGE 68
POLYPROPYLENE	NYLON
PVDF	STAINLESS STEEL

**AVAILABLE ACCESSORIES** - Please see the accessories section for detailed product information on the following available accessories.

AIR	SEE PAGE
FILTER/REGULATOR/GAUGE	60
SOLENOID VALVES	60
AIR FLOW CONTROL VALVES	60
NEEDLE VALVE	60
LIQUID	
COMPANION FLANGE KIT	61
SUCTION STRAINER	61
PUMP	
GROUNDING LUG	64

### 1" BOLTED STYLE HEAVY DUTY PUMP (METALLIC)

Dimensions in inches and (mm). For detailed dimensional drawings, please visit [www.all-flo.com](http://www.all-flo.com)



### 1" CLAMPED STYLE HEAVY DUTY PUMP (PLASTIC)

Dimensions in inches and (mm). For detailed dimensional drawings, please visit [www.all-flo.com](http://www.all-flo.com)

