

# 1" (25mm) HEAVY DUTY CLAMPED STYLE DRUM PUMP



## 1" (25 mm) HEAVY DUTY CLAMPED STYLE DRUM PUMP

Engineered for maximum fluid and chemical compatibility. Heavy duty, non-metallic air section ensures stall free and freeze free operation. Rugged valve system allows operation under a variety of conditions, ranging from clean fluids to slurries, to solids applications. Bolted design provides ease of maintenance and leak free operation. Available in a variety of materials and options.

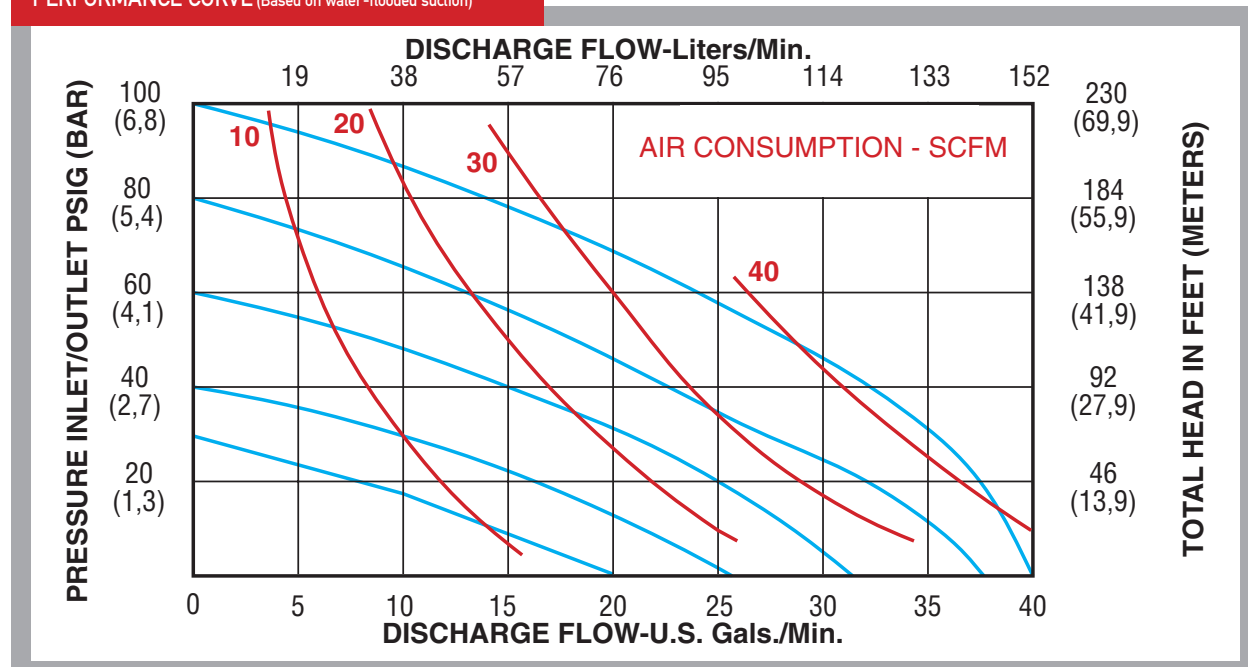
- Suitable for Clean Fluids, Slurries or up to 1/4" Solids
- Includes 40" Suction Tube and Bung Adaptor
- All-Pür FDA Elastomers and Electropassivated Stainless Available
- Heavy Duty Air Valve
- Non-Metallic Wetted Components
- Muffler Included

## SPECIFICATIONS

Dimension	
Physical Dimensions	See Drawing Page 76
Air Inlet	1/4"
Liquid Inlet	1" (25 mm)
Liquid Outlet	1" (25 mm)
Weight	See Product Tables
Performance	
Maximum Flow	40 gpm (152 lpm)
Maximum Air Pressure	100 psi (6.8 bar)
Maximum Solids	1/8" (3.2 mm)
Max Suction Lift Dry	15 ft (4.5 m)
Max Suction Lift Wet	26 ft (7.9 m)
Max Suction Lift Dry with PTFE	10 ft (3 m)
Max Temperature	See Product Tables
Noise Level (with muffler)	80 dBA



PERFORMANCE CURVE (Based on water-flooded suction)



**1" (25mm) - POLYPROPYLENE** - A non-metallic material, suitable for water, caustics, soap solutions, mild acids and general purpose applications. Please consult chemical compatibility tables or [www.all-flo.com](http://www.all-flo.com) for your particular application.

PART NUMBER	DIAPHRAGM MATERIAL	VALVE/BALL MATERIAL	VALVE SEAT MATERIAL	O-RING MATERIAL	FASTENER MATERIAL	WEIGHT LBS (KG)	MAX TEMPERATURE °F (°C)	DIMENSIONAL DIAGRAM	CONNECT TYPE
NND-10	Geolast®	Nitrile	Polypropylene	Nitrile	SS	26 (11.8)	150 (66)	Pg. 76	NPT
NCD-10	Geolast®	Geolast®	Polypropylene	Nitrile	SS	26 (11.8)	150 (66)	Pg. 76	NPT
BKD-10	PTFE	PTFE	Polypropylene	PTFE	SS	26 (11.8)	150 (66)	Pg. 76	NPT
BKD-10E	Santoprene®	Santoprene®	Polypropylene	EPDM	SS	26 (11.8)	150 (66)	Pg. 76	NPT
BKD-10V	Viton®	Viton®	Polypropylene	Viton®	SS	26 (11.8)	150 (66)	Pg. 76	NPT

**1" (25mm) - PVDF** - Polyvinylidene fluoride suitable in applications requiring the highest purity, strength, and resistance to solvents, acids, and bases. Please consult chemical compatibility tables or [www.all-flo.com](http://www.all-flo.com) for your particular application.

PART NUMBER	DIAPHRAGM MATERIAL	VALVE/BALL MATERIAL	VALVE SEAT MATERIAL	O-RING MATERIAL	FASTENER MATERIAL	WEIGHT LBS (KG)	MAX TEMPERATURE °F (°C)	DIMENSIONAL DIAGRAM	CONNECT TYPE
KND-10	PTFE	PTFE	PVDF	PTFE	SS	29 (13.2)	200 (93)	Pg. 75	NPT
KND-10E	Santoprene®	Santoprene®	PVDF	EPDM	SS	29 (13.2)	200 (93)	Pg. 75	NPT
KND-10V	Viton®	Viton®	PVDF	Viton®	SS	29 (13.2)	200 (93)	Pg. 75	NPT

**AVAILABLE OPTIONS** - Each pump can be configured to suit a particular application. Please see the options section for detailed product information on the following available options.

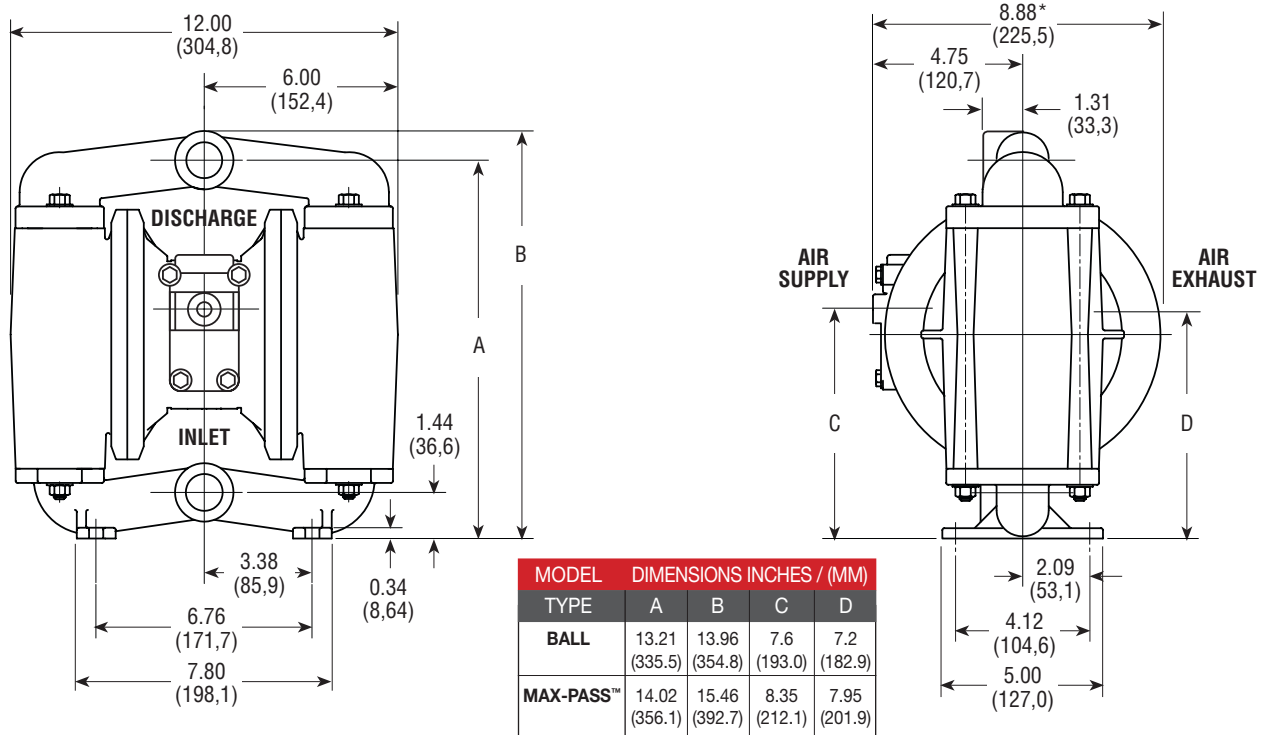
AIR VALVE OPTIONS	SEE PAGE 67
CYCLE COUNT VALVE	SOLENOID ADAPTOR VALVE
BALL VALVE OPTIONS	SEE PAGE 67
GEOLAST®	PTFE
SANTOPRENE®	HEAVY NITRILE
FDA NITRILE	STAINLESS STEEL
HARDWARE OPTIONS	SEE PAGE 67
PTFE COATED HARDWARE	
O-RINGS	SEE PAGE 67
PTFE O-RINGS	NITRILE O-RINGS
EPDM O-RINGS	VITON® O-RINGS
PORTING OPTIONS	SEE PAGE 68
BSP THREADS	ALL PORTS OPEN
DISCHARGE AIR INLET / EXHAUST	
SUCTION / AIR INLET / EXHAUST	
SUCTION / DISCHARGE LEFT	
SUCTION RIGHT & DISCHARGE LEFT	
SUCTION LEFT & DISCHARGE RIGHT	
VALVE SEAT OPTIONS	SEE PAGE 68
POLYPROPYLENE	NYLON
PVDF	STAINLESS STEEL

**AVAILABLE ACCESSORIES** - Please see the accessories section for detailed product information on the following available accessories.

AIR	SEE PAGE
FILTER / REGULATOR / GAUGE	60
SOLENOID VALVES	60
AIR FLOW CONTROL VALVES	60
NEEDLE VALVE	60
LIQUID	
COMPANION FLANGE KIT	61
SUCTION STRAINER	61
PUMP	
GROUNDING LUG	64

### 1" BOLTED STYLE HEAVY DUTY PUMP (METALLIC)

Dimensions in inches and (mm). For detailed dimensional drawings, please visit [www.all-flo.com](http://www.all-flo.com)



### 1" CLAMPED STYLE HEAVY DUTY PUMP (PLASTIC)

Dimensions in inches and (mm). For detailed dimensional drawings, please visit [www.all-flo.com](http://www.all-flo.com)

