

1-1/2" (38mm) HEAVY DUTY BOLTED STYLE PUMP



1 1/2" (38mm) HEAVY DUTY BOLTED STYLE PUMP

Engineered for maximum fluid and chemical compatibility. Heavy duty, non-metallic air section ensures stall free and freeze free operation. Rugged valve system allows operation under a variety of conditions, ranging from clean fluids to slurries, to solids applications. Bolted design provides ease of maintenance and leak free operation. Available in a variety of materials and options.

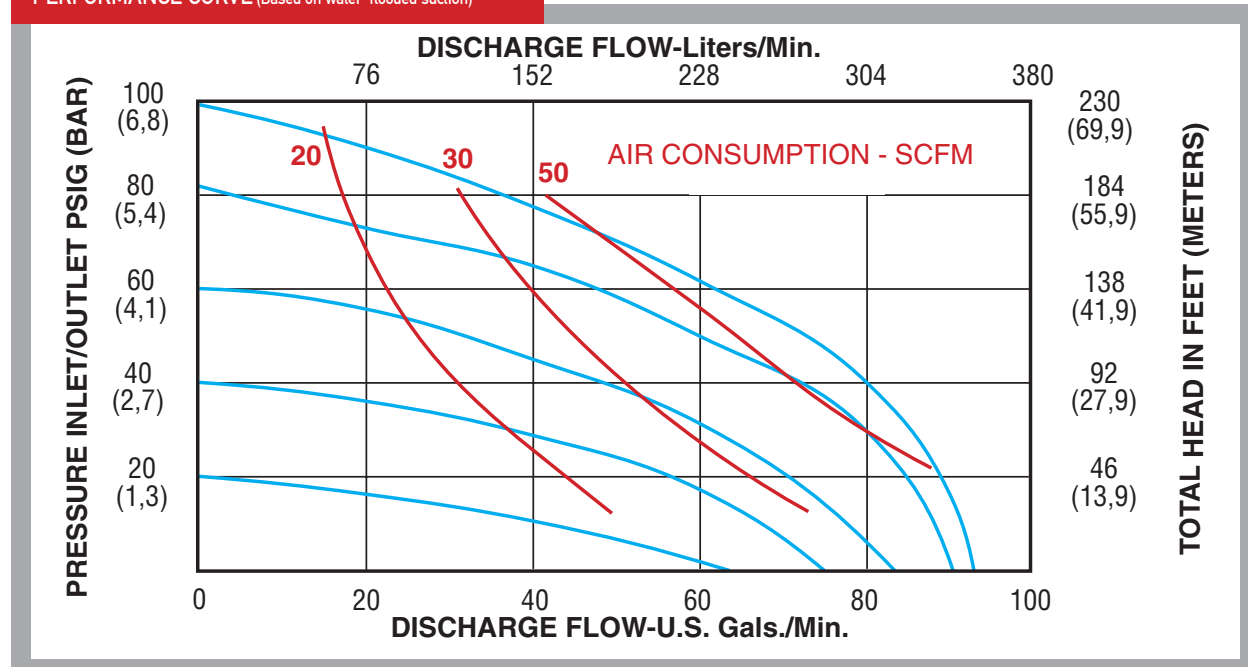
- Suitable for Clean Fluids, Slurries or up to 1/4" Solids
- All-Pur FDA Elastomers and Electropassivated Stainless Available
- Heavy Duty Air Valve
- Available in Metallic and Non-Metallic Wetted Components
- Muffler Included

SPECIFICATIONS

Dimension	
Physical Dimensions	See Drawing Page 77
Air Inlet	3/4"
Liquid Inlet	1 1/2" (38 mm)
Liquid Outlet	1 1/2" (38 mm)
Weight	See Product Tables
Performance	
Maximum Flow	130 gpm (492 lpm)
Maximum Air Pressure	120 psi (8.2 bar)
Maximum Solids	1/4" (6.4 mm)
Max Suction Lift Dry	13 ft (3.9 m)
Max Suction Lift Wet	26 ft (7.9 m)
Max Suction Lift Dry with PTFE	10 ft (3 m)
Max Temperature	See Product Tables
Noise Level (with muffler)	78 dBA



PERFORMANCE CURVE (Based on water-flooded suction)



1-1/2" (38mm) - ALUMINUM - General purpose pump, suitable for water, oils, most solvents, and most paints. Please consult chemical compatibility tables or www.all-flo.com for your particular application.

PART NUMBER	DIAPHRAGM MATERIAL	VALVE/BALL MATERIAL	VALVE SEAT MATERIAL	O-RING MATERIAL	FASTENER MATERIAL	WEIGHT LBS (KG)	MAX TEMP °F (°C)	DIMENSIONAL DIAGRAM	CONNECT TYPE
AN-15	Geolast®	Nitrile	Polypropylene	Nitrile	SS	73 (33.1)	180 (82)	Pg. 77	ANSI / DIN Flange
AB-15	Geolast®	Geolast®	Polypropylene	Nitrile	SS	73 (33.1)	180 (82)	Pg. 77	ANSI / DIN Flange
AB-15-B2	Geolast®	PTFE	Polypropylene	Nitrile	SS	73 (33.1)	180 (82)	Pg. 77	ANSI / DIN Flange
AN-15-P28	Geolast®	Nitrile	Polypropylene	Nitrile	SS	73 (33.1)	180 (82)	Pg. 77	NPT & ANSI / DIN Flange
AB-15-P28	Geolast®	Geolast®	Polypropylene	Nitrile	SS	73 (33.1)	180 (82)	Pg. 77	NPT & ANSI / DIN Flange
AB-15-B2-P28	Geolast®	PTFE	Polypropylene	Nitrile	SS	73 (33.1)	180 (82)	Pg. 77	NPT & ANSI / DIN Flange
AT-15	PTFE	PTFE	Nylon	PTFE	SS	73 (33.1)	212 (100)	Pg. 77	ANSI / DIN Flange
AT-15-P28	PTFE	PTFE	Nylon	PTFE	SS	73 (33.1)	180 (82)	Pg. 77	NPT & ANSI / DIN Flange
AE-15	Santoprene®	Santoprene®	Polypropylene	EPDM	SS	73 (33.1)	212 (100)	Pg. 77	ANSI / DIN Flange
AE-15-P28	Santoprene®	Santoprene®	Polypropylene	EPDM	SS	73 (33.1)	180 (82)	Pg. 77	NPT & ANSI / DIN Flange

1-1/2" (38mm) - 316 SS - Corrosion resistant steel, suitable for nitric acid, chlorinated solvents, caustics and marine applications. Please consult chemical compatibility tables or www.all-flo.com for your particular application.

PART NUMBER	DIAPHRAGM MATERIAL	VALVE/BALL MATERIAL	VALVE SEAT MATERIAL	O-RING MATERIAL	FASTENER MATERIAL	WEIGHT LBS (KG)	MAX TEMP °F (°C)	DIMENSIONAL DIAGRAM	CONNECT TYPE
SN-15	Geolast®	Nitrile	SS	Nitrile	SS	146 (66.2)	180 (82)	Pg. 77	ANSI / DIN Flange
SB-15	Geolast®	Geolast®	SS	Nitrile	SS	146 (66.2)	180 (82)	Pg. 77	ANSI / DIN Flange
SP-15	PTFE	PTFE	SS	PTFE	SS	146 (66.2)	212 (100)	Pg. 77	ANSI / DIN Flange
SE-15	Santoprene®	Santoprene®	SS	EPDM	SS	146 (66.2)	212 (100)	Pg. 77	ANSI / DIN Flange

ALL-PÜR 1-1/2" (38mm) - ELECTROPOLISHED & PASSIVATED 316 SS - FDA elastomers and corrosion resistant Steel. Suitable for food and sanitary applications. Please consult chemical compatibility tables or www.all-flo.com for your particular application.

PART NUMBER	DIAPHRAGM MATERIAL	VALVE/BALL MATERIAL	VALVE SEAT MATERIAL	O-RING MATERIAL	FASTENER MATERIAL	WEIGHT LBS (KG)	MAX TEMP °F (°C)	DIMENSIONAL DIAGRAM	CONNECT TYPE
SB-15-X44	FDA Hytrel®	FDA Nitrile	SS	FDA Nitrile	SS	146 (66.2)	180 (82)	Pg. 77	2" Tri-Clamp
SP-15-X44	FDA PTFE	FDA PTFE	SS	FDA PTFE	SS	146 (66.2)	212 (100)	Pg. 77	2" Tri-Clamp
SE-15-X44	FDA Santoprene®	FDA Santoprene®	SS	FDA EPDM	SS	146 (66.2)	212 (100)	Pg. 77	2" Tri-Clamp

1-1/2" (38mm) - POLYPROPYLENE - A non-metallic material, suitable for water, caustics, soap solutions, mild acids and general purpose applications. Please consult chemical compatibility tables or www.all-flo.com for your particular application.

PART NUMBER	DIAPHRAGM MATERIAL	VALVE/BALL MATERIAL	VALVE SEAT MATERIAL	O-RING MATERIAL	FASTENER MATERIAL	WEIGHT LBS (KG)	MAX TEMP °F (°C)	DIMENSIONAL DIAGRAM	CONNECT TYPE
PN-15	Geolast®	Nitrile	Polypropylene	Nitrile	SS	59 (26.8)	150 (66)	Pg. 77	ANSI / DIN Flange
PB-15	Geolast®	Geolast®	Polypropylene	Nitrile	SS	59 (26.8)	150 (66)	Pg. 77	ANSI / DIN Flange
PT-15	PTFE	PTFE	Polypropylene	PTFE	SS	59 (26.8)	150 (66)	Pg. 77	ANSI / DIN Flange
PE-15	Santoprene®	Santoprene®	Polypropylene	EPDM	SS	59 (26.8)	150 (66)	Pg. 77	ANSI / DIN Flange

1-1/2" (38mm) - PVDF - Polyvinylidene fluoride suitable in applications requiring the highest purity, strength, and resistance to solvents, acids, and bases. Please consult chemical compatibility tables or www.all-flo.com for your particular application.

PART NUMBER	DIAPHRAGM MATERIAL	VALVE/BALL MATERIAL	VALVE SEAT MATERIAL	O-RING MATERIAL	FASTENER MATERIAL	WEIGHT LBS (KG)	MAX TEMP °F (°C)	DIMENSIONAL DIAGRAM	CONNECT TYPE
KT-15	PTFE	PTFE	PVDF	PTFE	SS	78 (35.4)	200 (93)	Pg. 77	ANSI / DIN Flange
KE-15	Santoprene®	Santoprene®	PVDF	EPDM	SS	59 (26.8)	200 (93)	Pg. 77	ANSI / DIN Flange

AVAILABLE OPTIONS - Each pump can be configured to suit a particular application. Please see the Options section for detailed product information on the following available options.

AIR VALVE OPTIONS		SEE PAGE 67
CYCLE COUNT VALVE		
BALL VALVE OPTIONS		SEE PAGE 67
GEOLAST®	PTFE	
SANTOPRENE®	HEAVY NITRILE	
FDA NITRILE	STAINLESS STEEL	
HARDWARE OPTIONS		SEE PAGE 67
PTFE COATED HARDWARE	HANDLES	
O-RINGS		SEE PAGE 67
PTFE O-RINGS	NITRILE O-RINGS	
EPDM O-RINGS	VITON® O-RINGS	
PORTING OPTIONS		SEE PAGE 68
DISCHARGE / UP, AIR INLET		
SUCTION / AIR EXHAUST		
VALVE SEAT OPTIONS		SEE PAGE 68
POLYPROPYLENE	NYLON	
PVDF	STAINLESS STEEL	
MISC. AND SPECIAL OPTIONS		SEE PAGE 68
HIGH SUCTION LEFT		

AVAILABLE ACCESSORIES - Please see the accessories section for detailed product information on the following available accessories.

AIR	SEE PAGE
FILTER / REGULATOR / GAUGE	60
SOLENOID VALVES	60
AIR FLOW CONTROL VALVES	60
NEEDLE VALVE	60
LIQUID	
COMPANION FLANGE KIT	61
PUMP	
GROUNDING LUG	64
BASE	63



NON-METALLIC
Wetted chambers available in polypropylene or PVDF. Diaphragms available in PTFE or Santoprene®. Modular liquid manifolds for plumbing flexibility.



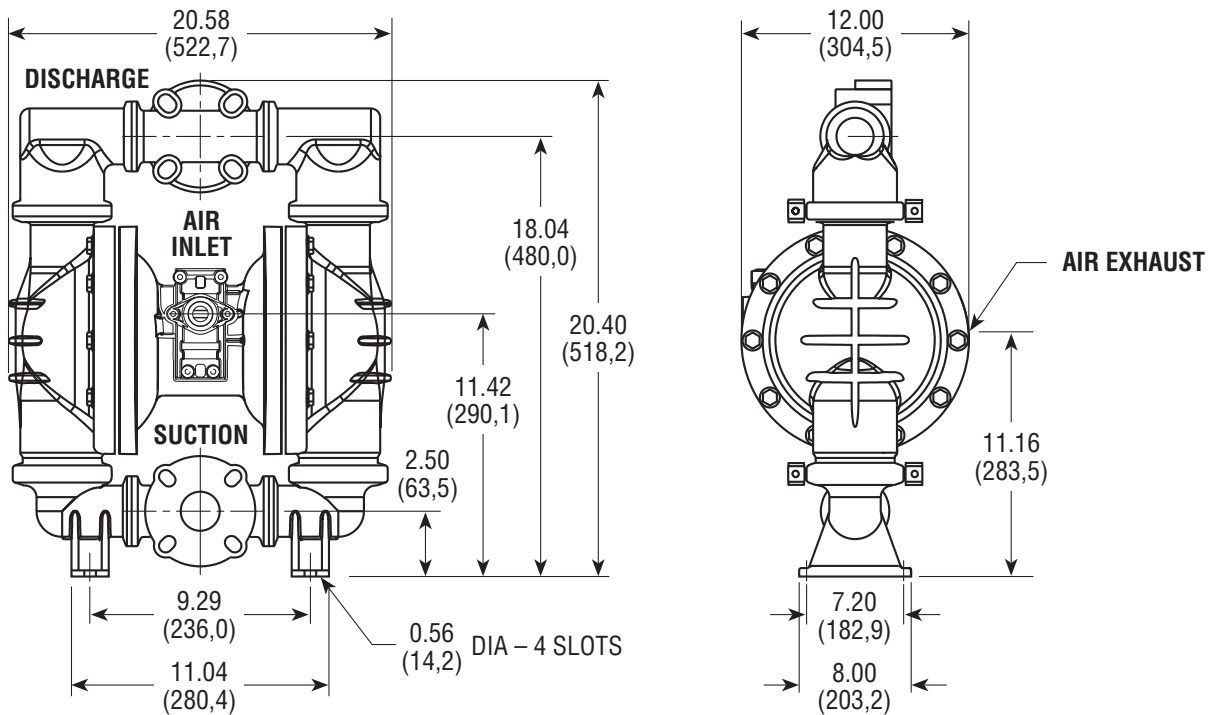
METALLIC
Our 1-1/2" metallic pumps, available in both stainless steel and aluminum, can be fitted with a wide variety of elastomers to suit your application. Combination flange/threaded connection provide for a variety of connections.



ALL-PÜR FDA PUMPS
Electropolished and passivated 316 SS with FDA approved elastomers and tri-clamps for sanitary applications.

1 1/2" BOLTED STYLE HEAVY DUTY PUMP (PLASTIC)

Dimensions in inches and (mm). For detailed dimensional drawings, please visit www.all-flo.com



1 1/2" BOLTED STYLE HEAVY DUTY PUMP (METALLIC)

Dimensions in inches and (mm). For detailed dimensional drawings, please visit www.all-flo.com

