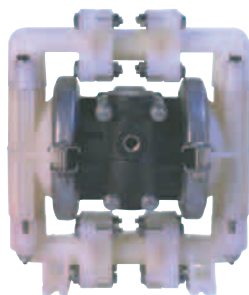


1/2" HEAVY DUTY CLAMPED STYLE PUMP



1/2" HEAVY DUTY CLAMPED STYLE PUMP

Reliable polypropylene air center section combined with non-metallic clamped casing materials ensure maximum chemical compatibility. Available in a variety of materials and options.

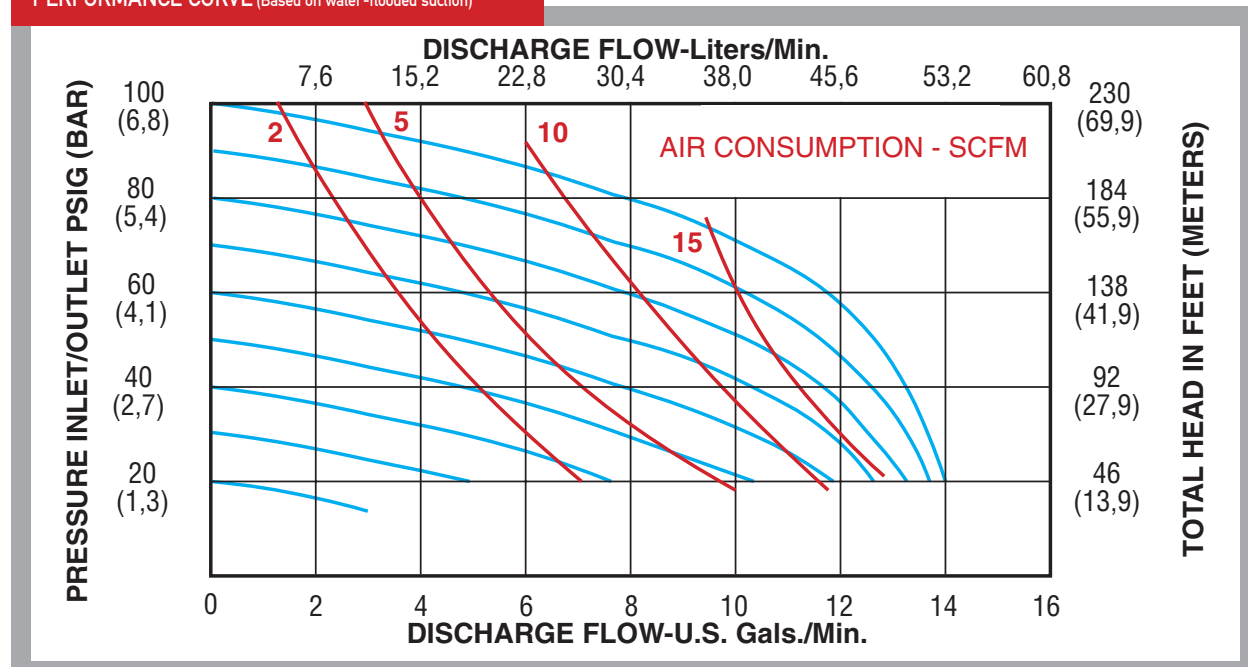
- Suitable for Clean Fluids, Slurries or up to 1/8" Solids
- Heavy Duty Air Valve
- Non-Metallic Wetted Components
- Muffler Included

SPECIFICATIONS

Dimension	
Physical Dimensions	See Drawing Page 75
Air Inlet	1/4"
Liquid Inlet	1/2"
Liquid Outlet	1/2"
Weight	See Product Tables
Performance	
Maximum Flow	gpm (lpm)
Maximum Air Pressure	100 psi (6.8 bar)
Maximum Solids	1/8" (3.2 mm)
Max Suction Lift Dry	15 ft (4.5 m)
Max Suction Lift Wet	26 ft (7.9 m)
Max Suction Lift Dry with PTFE	10 ft (3 m)
Max Temperature	See Product Tables
Noise Level (with muffler)	83 dBA



PERFORMANCE CURVE (Based on water-flooded suction)



1/2" - POLYPROPYLENE - A non-metallic material, suitable for water, caustics, soap solutions, mild acids and general purpose applications. Please consult chemical compatibility tables or www.all-flo.com for your particular application.

PART NUMBER	DIAPHRAGM MATERIAL	VALVE/BALL MATERIAL	VALVE SEAT MATERIAL	O-RING MATERIAL	FASTENER MATERIAL	WEIGHT LBS (KG)	MAX TEMPERATURE °F (°C)	DIMENSIONAL DIAGRAM	CONNECT TYPE
NN-5	Geolast®	Nitrile	Polypropylene	Nitrile	SS & PS	8 (3.6)	150 (66)	Pg. 75	NPT (BSP)
NC-5N	Geolast®	Geolast®	Polypropylene	Nitrile	SS & PS	8 (3.6)	150 (66)	Pg. 75	NPT (BSP)
BK-5	PTFE	PTFE	Polypropylene	PTFE	SS	8 (3.6)	150 (66)	Pg. 75	NPT (BSP)
BK-5E	Santoprene®	Santoprene®	Polypropylene	EPDM	SS	8 (3.6)	150 (66)	Pg. 75	NPT (BSP)
BK-5V	Viton®	Viton®	Polypropylene	Viton®	SS	8 (3.6)	150 (66)	Pg. 75	NPT (BSP)

1/2" - PVDF - Polyvinylidene fluoride suitable in applications requiring the highest purity, strength, and resistance to solvents, acids, and bases. Please consult chemical compatibility tables or www.all-flo.com for your particular application.

PART NUMBER	DIAPHRAGM MATERIAL	VALVE/BALL MATERIAL	VALVE SEAT MATERIAL	O-RING MATERIAL	FASTENER MATERIAL	WEIGHT LBS (KG)	MAX TEMPERATURE °F (°C)	DIMENSIONAL DIAGRAM	CONNECT TYPE
KN-5	PVDF	PTFE	PTFE	PVDF	SS	11 (5.0)	200 (93)	Pg. 75	NPT (BSP)
KN-5E	Santoprene®	Santoprene®	PVDF	EPDM	SS	11 (5.0)	200 (93)	Pg. 75	NPT (BSP)
KN-5V	PVDF	Viton®	Viton®	PVDF	SS	11 (5.0)	200 (93)	Pg. 75	NPT (BSP)

AVAILABLE OPTIONS - Each pump can be configured to suit a particular application. Please see the options section for detailed product information on the following available options.

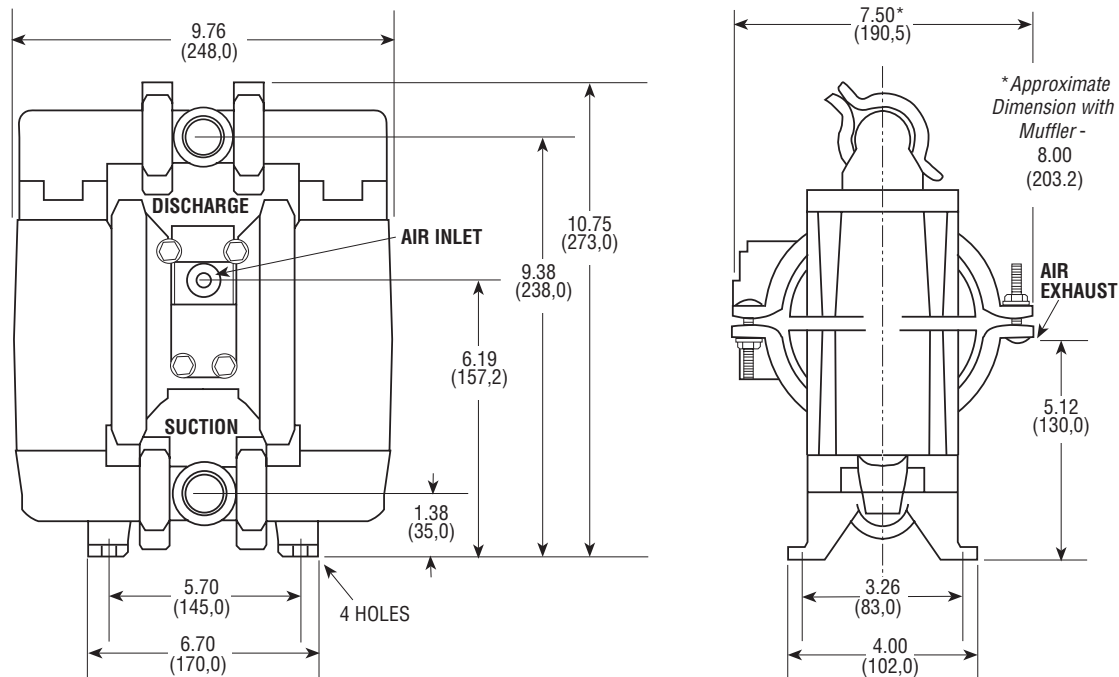
AIR VALVE OPTIONS	SEE PAGE 67
CYCLE COUNT VALVE	
BALL VALVE OPTIONS	SEE PAGE 67
GEOLAST®	PTFE
SANTOPRENE®	STAINLESS STEEL
HARDWARE OPTIONS	SEE PAGE 67
PTFE COATED HARDWARE	
O-RINGS	SEE PAGE 67
PTFE O-RINGS	NITRILE O-RINGS
EPDM O-RINGS	VITON® O-RINGS
PORTING OPTIONS	SEE PAGE 68
DUAL DISCHARGE / SUCTION	
DISCHARGE UP, AIR INLET	
SUCTION / DOWN, AIR INLET	
SUCTION / DISCHARGE LEFT	
SUCTION RIGHT & DISCHARGE LEFT	
SUCTION LEFT & DISCHARGE RIGHT	
VALVE SEAT OPTIONS	SEE PAGE 68
POLYPROPYLENE	NYLON
PVDF	STAINLESS STEEL

AVAILABLE ACCESSORIES - Please see the accessories section for detailed product information on the following available accessories.

AIR	SEE PAGE
FILTER / REGULATOR / GAUGE	60
SOLENOID VALVES	60
AIR FLOW CONTROL VALVES	60
NEEDLE VALVE	60
LIQUID	
SUCTION STRAINER	61
FILTER HOUSING	61
PUMP	
METAL MUFFLER	63
GROUNDING LUG	64

1/2" CLAMPED STYLE HEAVY DUTY PUMP (PLASTIC)

Dimensions in inches and (mm). Ports shown facing front for dimensional purposes.
For detailed dimensional drawings, please visit www.all-flo.com



1" BOLTED STYLE HEAVY DUTY PUMP (PLASTIC)

Dimensions in inches and (mm). For detailed dimensional drawings, please visit www.all-flo.com

