

1/2" HEAVY DUTY BOLTED STYLE SOLIDS HANDLING PUMP

Engineered for maximum fluid and chemical compatibility. Heavy duty, stall free, non-metallic air section ensures stall free and freeze free operation. Our patented "Max-Pass"™ valve system allows operation under a variety of conditions, ranging from clean fluids to slurries, to solids applications. Bolted design provides ease of maintenance and leak free operation. Available in a variety of materials and options.

- Suitable for Clean Fluids, Slurries or up to 3/8" Solids
- Heavy Duty Air Valve
- Available in Metallic or Non-Metallic Wetted Components
- Muffler Included

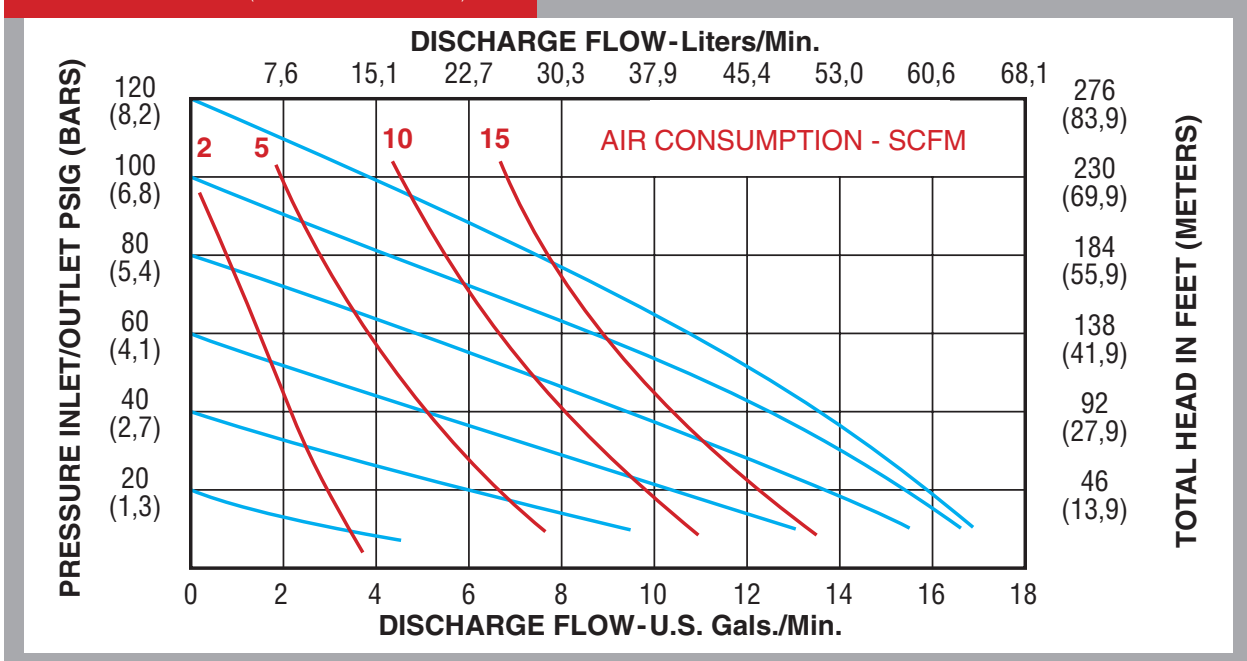
SPECIFICATIONS

Dimension	
Physical Dimensions	See Drawing Page 74
Air Inlet	1/4"
Liquid Inlet	1/4"
Liquid Outlet	1/4"
Weight	See Product Tables
Performance	
Maximum Flow	17 gpm (64.6 lpm)
Maximum Air Pressure	120 psi (8.2 bar)
Maximum Solids	3/8" (mm)
Max Suction Lift Dry	20 ft (6 m)
Max Suction Lift Wet	26 ft (7.9 m)
Max Temperature	See Product Tables
Noise Level (with muffler)	83 dBA

1/2"



PERFORMANCE CURVE (Based on water-flooded suction)



1/2" HEAVY DUTY BOLTED STYLE SOLIDS HANDLING PUMP

1/2" - ALUMINUM - General purpose pump, suitable for water, oils, most solvents, and most paints. Please consult chemical compatibility tables or www.all-flo.com for your particular application.

PART NUMBER	DIAPHRAGM MATERIAL	VALVE/BALL MATERIAL	VALVE SEAT MATERIAL	O-RING MATERIAL	FASTENER MATERIAL	WEIGHT LBS (KG)	MAX TEMPERATURE °F (°C)	DIMENSIONAL DIAGRAM	CONNECT TYPE
AB-05-M4	Geolast®	Nitrile Max-Pass™	N/A	Nitrile	SS	10 (4.5)	180 (82)	Pg. 74	NPT (BSP)
AE-05-M5	Santoprene®	EPDM Max-Pass™	N/A	EPDM	SS	10 (4.5)	212 (100)	Pg. 74	NPT (BSP)
AV-05-M6	Viton®	Viton® Max-Pass™	N/A	Viton®	SS	10 (4.5)	212 (100)	Pg. 74	NPT (BSP)

1/2" - 316 SS - Corrosion resistant steel, suitable for nitric acid, chlorinated solvents, caustics and marine applications. Please consult chemical compatibility tables or www.all-flo.com for your particular application.

PART NUMBER	DIAPHRAGM MATERIAL	VALVE/BALL MATERIAL	VALVE SEAT MATERIAL	O-RING MATERIAL	FASTENER MATERIAL	WEIGHT LBS (KG)	MAX TEMPERATURE °F (°C)	DIMENSIONAL DIAGRAM	CONNECT TYPE
SB-05-M4	Geolast®	Nitrile Max-Pass™	N/A	Nitrile	SS	19 (8.6)	180 (82)	Pg. 74	NPT (BSP)
SE-05-M5	Santoprene®	EPDM Max-Pass™	N/A	EPDM	SS	19 (8.6)	212 (100)	Pg. 74	NPT (BSP)
SV-05-M6	Viton®	Viton® Max-Pass™	N/A	Viton®	SS	19 (8.6)	212 (100)	Pg. 74	NPT (BSP)

1/2" - POLYPROPYLENE - A non-metallic material, suitable for water, caustics, soap solutions, mild acids and general purpose applications. Please consult chemical compatibility tables or www.all-flo.com for your particular application.

PART NUMBER	DIAPHRAGM MATERIAL	VALVE/BALL MATERIAL	VALVE SEAT MATERIAL	O-RING MATERIAL	FASTENER MATERIAL	WEIGHT LBS (KG)	MAX TEMPERATURE °F (°C)	DIMENSIONAL DIAGRAM	CONNECT TYPE
PB-05-M4	Geolast®	NITRILE Max-Pass™	N/A	Nitrile	SS	9 (4.1)	150 (66)	Pg. 74	NPT (BSP)
PE-05-M5	Santoprene®	EPDM Max-Pass™	N/A	EPDM	SS	9 (4.1)	150 (66)	Pg. 74	NPT (BSP)
PV-05-M40	Viton®	Viton® Max-Pass™	N/A	Viton®	SS	9 (4.1)	150 (66)	Pg. 74	NPT (BSP)

1/2" - PVDF - Polyvinylidene fluoride suitable in applications requiring the highest purity, strength, and resistance to solvents, acids, and bases. Please consult chemical compatibility tables or www.all-flo.com for your particular application.

PART NUMBER	DIAPHRAGM MATERIAL	VALVE/BALL MATERIAL	VALVE SEAT MATERIAL	O-RING MATERIAL	FASTENER MATERIAL	WEIGHT LBS (KG)	MAX TEMPERATURE °F (°C)	DIMENSIONAL DIAGRAM	CONNECT TYPE
KE-05-M5	Santoprene®	EPDM Viton®	N/A	EPDM	SS	12 (5.4)	200 (93)	Pg. 74	NPT (BSP)
KV-05-M40	Viton®	Viton®	N/A	Viton®	SS	12 (5.4)	200 (93)	Pg. 74	NPT (BSP)

1/2" - NYLON - A non-metallic material, suitable for most solvents and oils. Please consult chemical compatibility tables or www.all-flo.com for your particular application.

PART NUMBER	DIAPHRAGM MATERIAL	VALVE/BALL MATERIAL	VALVE SEAT MATERIAL	O-RING MATERIAL	FASTENER MATERIAL	WEIGHT LBS (KG)	MAX TEMPERATURE °F (°C)	DIMENSIONAL DIAGRAM	CONNECT TYPE
NB-05-M4	Geolast®	NITRILE Max-Pass™	N/A	Nitrile	SS	9 (4.1)	150 (66)	Pg. 74	NPT (BSP)
NV-05-M40	Viton®	Viton® Max-Pass™	N/A	Viton®	SS	9 (4.1)	150 (66)	Pg. 74	NPT (BSP)

1/2" - CONDUCTIVE NYLON - Stainless steel filled nylon, suitable for most solvents and alcohols. Grounding lugs provided with pump. Please consult chemical compatibility tables or www.all-flo.com for your particular application.

PART NUMBER	DIAPHRAGM MATERIAL	VALVE/BALL MATERIAL	VALVE SEAT MATERIAL	O-RING MATERIAL	FASTENER MATERIAL	WEIGHT LBS (KG)	MAX TEMPERATURE °F (°C)	DIMENSIONAL DIAGRAM	CONNECT TYPE (BSP)
CB-05-M4	Geolast®	Nitrile Max-Pass™	N/A	Nitrile	SS	10 (4.5)	150 (66)	Pg. 74	NPT (BSP)
CV-05-M40	Viton®	Viton® Max-Pass™	N/A	Viton®	SS	10 (4.5)	150 (66)	Pg. 74	NPT (BSP)

AVAILABLE OPTIONS - Each pump can be configured to suit a particular application. Please see the options section for detailed product information on the following available options.

AIR VALVE OPTIONS		SEE PAGE 67
CYCLE COUNT VALVE	SOLENOID ADAPTOR VALVE	
BALL VALVE OPTIONS		SEE PAGE 67
GEOLAST®	PTFE	
SANTOPRENE®	STAINLESS STEEL	
WETTED CHAMBER FINISH OPTIONS		SEE PAGE 67
HARD COAT ANODIZING		
PASSIVATED & ELECTROPOLISHED		
HARDWARE OPTIONS		SEE PAGE 67
PTFE COATED HARDWARE		
O-RINGS		SEE PAGE 67
PTFE O-RINGS	NITRILE O-RINGS	
EPDM O-RINGS	VITON® O-RINGS	
PORTING OPTIONS		SEE PAGE 68
DUAL DISCHARGE / SUCTION	ALL PORTS OPEN	
SUCTION / DOWN		
VALVE SEAT OPTIONS		SEE PAGE 68
POLYPROPYLENE	NYLON	
PVDF	STAINLESS STEEL	
MAX PASS VALVE SOLIDS HANDLING OPTIONS SEE PAGE 68		
NITRILE	EPDM	FDA VITON®
MISC. AND SPECIAL OPTIONS		SEE PAGE 68
ATEX CATEGORY 2		

AVAILABLE ACCESSORIES - Please see the accessories section for detailed product information on the following available accessories.

AIR	SEE PAGE
FILTER / REGULATOR / GAUGE	60
SOLENOID VALVES	60
AIR FLOW CONTROL VALVES	60
NEEDLE VALVE	60
LIQUID	
SUCTION STRAINER	61
FILTER HOUSING	61
PUMP	
PREMIUM MUFFLER	63
GROUNDING LUG	64
METAL MUFFLER	63

MAX-PASS SOLIDS HANDLING VALVE

- Increased suction lift
- Up to 3/8" solids
- Mounts in any position



METALLIC
All of our 1/2" metallic pumps have a non-metallic center section. This design concept ensures maximum chemical compatibility while protecting from environmental corrosion.



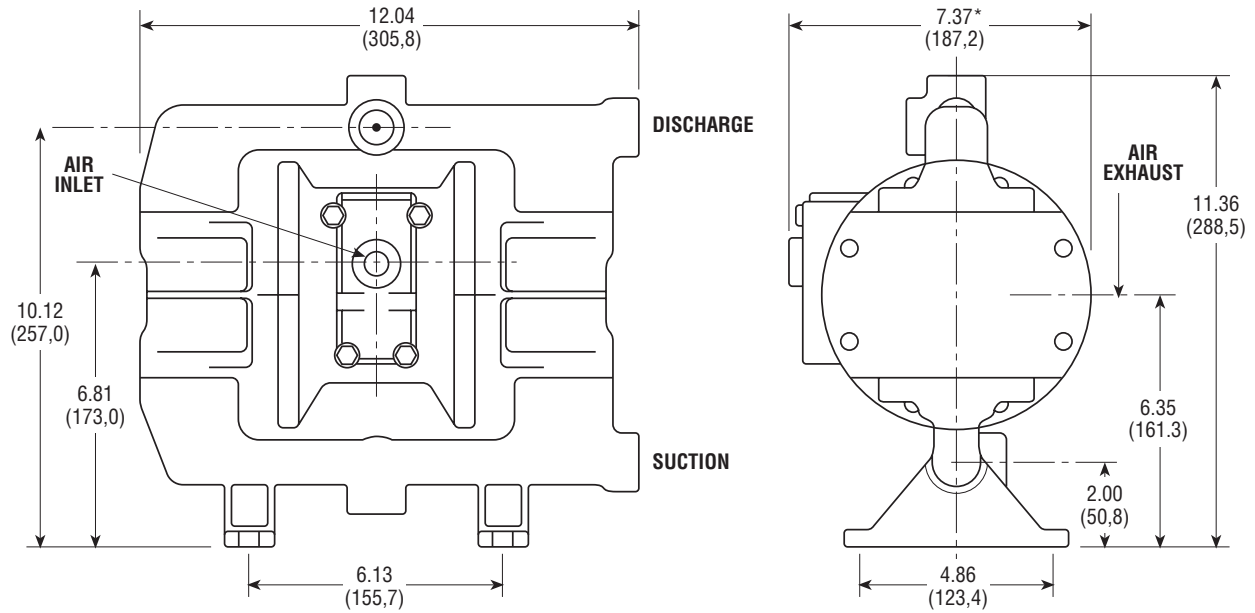
CONDUCTIVE NYLON
Our conductive nylon pumps achieve desired chemical compatibility while providing grounding capability for safe operation.



NON-METALLIC
Our non-metallic pumps are available in a variety of materials and porting options, allowing for maximum application installation.

1/2" BOLTED STYLE HEAVY DUTY PUMP (PLASTIC)

Dimensions in inches and (mm). For detailed dimensional drawings, please visit www.all-flo.com



1/2" BOLTED STYLE HEAVY DUTY PUMP (METALLIC)

Dimensions in inches and (mm). For detailed dimensional drawings, please visit www.all-flo.com

