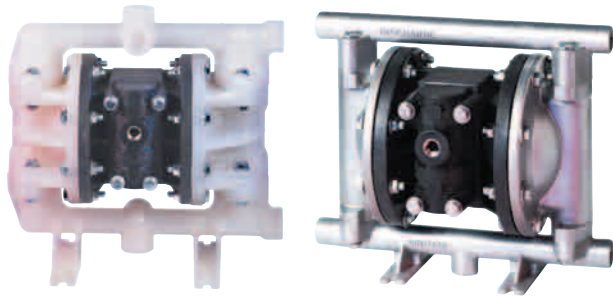


# 1/2" HEAVY DUTY BOLTED STYLE PUMP



## 1/2" HEAVY DUTY BOLTED STYLE PUMP

Engineered for maximum fluid and chemical compatibility. Heavy duty, non-metallic air valve ensures stall free and freeze free operation. Bolted design provides ease of maintenance and leak free operation. Available in a variety of materials and options.

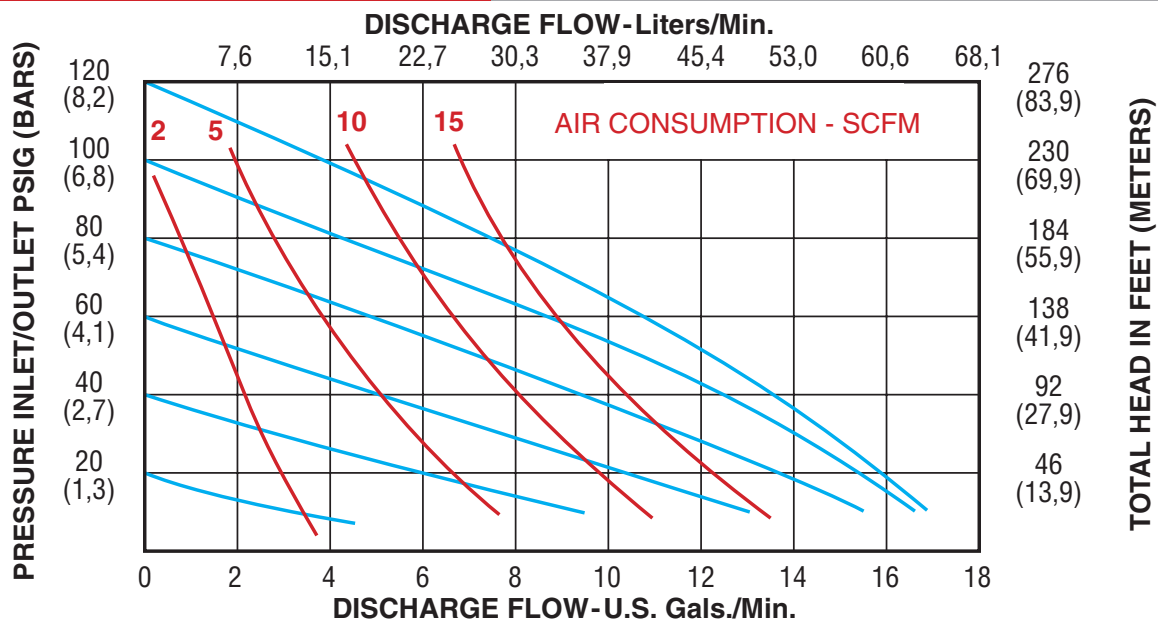
- Suitable for Clean Fluids, Slurries or up to 1/8" Solids
- Heavy Duty Air Valve
- Available in Metallic or Non-Metallic Wetted Components
- Muffler Included

## SPECIFICATIONS

Dimension	
Physical Dimensions	See Drawing Page 74
Air Inlet	1/4"
Liquid Inlet	1/2"
Liquid Outlet	1/2"
Weight	See Product Tables
Performance	
Maximum Flow	17 gpm (64.6 lpm)
Maximum Air Pressure	120 psi (8.2 bar)
Maximum Solids	1/8" (3.2 mm)
Max Suction Lift Dry	15 ft (4.5 m)
Max Suction Lift Wet	26 ft (7.9 m)
Max Suction Lift Dry with PTFE	10 ft (3 m)
Max Temperature	See Product Tables
Noise Level (with muffler)	83 dBA



PERFORMANCE CURVE (Based on water-flooded suction)



**1/2" - ALUMINUM** - General Purpose pump, suitable for water, oils, most solvents, and most paints. Please consult chemical compatibility tables or [www.all-flo.com](http://www.all-flo.com) for your particular application.

PART NUMBER	DIAPHRAGM MATERIAL	VALVE/BALL MATERIAL	VALVE SEAT MATERIAL	O-RING MATERIAL	FASTENER MATERIAL	WEIGHT LBS (KG)	MAX TEMPERATURE °F (°C)	DIMENSIONAL DIAGRAM	CONNECT TYPE
AN-05	Geolast®	Nitrile	Polypropylene	Nitrile	SS	10 (4.5)	180 (100)	Pg. 74	NPT (BSP)
AB-05	Geolast®	Geolast®	Polypropylene	Nitrile	SS	10 (4.5)	180 (100)	Pg. 74	NPT (BSP)
AB-05-B2	Geolast®	PTFE	Polypropylene	Nitrile	SS	10 (4.5)	212 (100)	Pg. 74	NPT (BSP)
AT-05	PTFE	PTFE	Nylon	PTFE	SS	10 (4.5)	212 (100)	Pg. 74	NPT (BSP)
AE-05	Santoprene®	Santoprene®	Polypropylene	EPDM	SS	10 (4.5)	212 (100)	Pg. 74	NPT (BSP)
AV-05	Viton®	Viton®	Nylon	Viton®	SS	10 (4.5)	212 (100)	Pg. 74	NPT (BSP)

**1/2" - 316 SS** - Corrosion resistant steel, suitable for nitric acid, chlorinated solvents, caustics and marine applications. Please consult chemical compatibility tables or [www.all-flo.com](http://www.all-flo.com) for your particular application.

PART NUMBER	DIAPHRAGM MATERIAL	VALVE/BALL MATERIAL	VALVE SEAT MATERIAL	O-RING MATERIAL	FASTENER MATERIAL	WEIGHT LBS (KG)	MAX TEMPERATURE °F (°C)	DIMENSIONAL DIAGRAM	CONNECT TYPE
SN-05	Geolast®	Nitrile	SS	Nitrile	SS	19 (8.6)	180 (100)	Pg. 74	NPT (BSP)
SB-05	Geolast®	Geolast®	SS	Nitrile	SS	19 (8.6)	180 (100)	Pg. 74	NPT (BSP)
SP-05	PTFE	PTFE	SS	PTFE	SS	19 (8.6)	212 (100)	Pg. 74	NPT (BSP)
SE-05	Santoprene®	Santoprene®	SS	EPDM	SS	19 (8.6)	212 (100)	Pg. 74	NPT (BSP)
SV-05	Viton®	Viton®	SS	Viton®	SS	19 (8.6)	212 (100)	Pg. 74	NPT (BSP)

**1/2" - POLYPROPYLENE** - A non-metallic material, suitable for water, caustics, soap solutions, mild acids and general purpose applications. Please consult chemical compatibility tables or [www.all-flo.com](http://www.all-flo.com) for your particular application.

PART NUMBER	DIAPHRAGM MATERIAL	VALVE/BALL MATERIAL	VALVE SEAT MATERIAL	O-RING MATERIAL	FASTENER MATERIAL	WEIGHT LBS (KG)	MAX TEMPERATURE °F (°C)	DIMENSIONAL DIAGRAM	CONNECT TYPE
PN-05	Geolast®	Nitrile	Polypropylene	Nitrile	SS	9 (4.1)	150 (66)	Pg. 74	NPT (BSP)
PB-05	Geolast®	Geolast®	Polypropylene	Nitrile	SS	9 (4.1)	150 (66)	Pg. 74	NPT (BSP)
PT-05	PTFE	PTFE	Polypropylene	PTFE	SS	9 (4.1)	150 (66)	Pg. 74	NPT (BSP)
PE-05	Santoprene®	Santoprene®	Polypropylene	EPDM	SS	9 (4.1)	150 (66)	Pg. 74	NPT (BSP)
PV-05	Viton®	Viton®	Polypropylene	Viton®	SS	9 (4.1)	150 (66)	Pg. 74	NPT (BSP)

**1/2" - PVDF** - Polyvinylidene Fluoride suitable in applications requiring the highest purity, strength, and resistance to solvents, acids, and bases. Please consult chemical compatibility tables or [www.all-flo.com](http://www.all-flo.com) for your particular application.

PART NUMBER	DIAPHRAGM MATERIAL	VALVE/BALL MATERIAL	VALVE SEAT MATERIAL	O-RING MATERIAL	FASTENER MATERIAL	WEIGHT LBS (KG)	MAX TEMPERATURE °F (°C)	DIMENSIONAL DIAGRAM	CONNECT TYPE
KT-05	PTFE	PTFE	PVDF	PTFE	SS	12 (5.4)	200 (93)	Pg. 74	NPT (BSP)
KE-05	Santoprene®	Santoprene®	PVDF	EPDM	SS	12 (5.4)	200 (93)	Pg. 74	NPT (BSP)
KV-05	Viton®	Viton®	PVDF	Viton®	SS	12 (5.4)	200 (93)	Pg. 74	NPT (BSP)

**1/2" - NYLON** - A non-metallic material, suitable for most solvents and oils. Please consult chemical compatibility tables or [www.all-flo.com](http://www.all-flo.com) for your particular application.

PART NUMBER	DIAPHRAGM MATERIAL	VALVE/BALL MATERIAL	VALVE SEAT MATERIAL	O-RING MATERIAL	FASTENER MATERIAL	WEIGHT LBS (KG)	MAX TEMPERATURE °F (°C)	DIMENSIONAL DIAGRAM	CONNECT TYPE
NN-05	Geolast®	Nitrile	PVDF	Nitrile	SS	9 (4.1)	150 (66)	Pg. 74	NPT (BSP)
NB-05	Geolast®	Geolast®	PVDF	Nitrile	SS	9 (4.1)	150 (66)	Pg. 74	NPT (BSP)
NT-05	PTFE	PTFE	PVDF	PTFE	SS	9 (4.1)	150 (66)	Pg. 74	NPT (BSP)
NV-05	Viton®	Viton®	PVDF	Viton®	SS	9 (4.1)	150 (66)	Pg. 74	NPT (BSP)

**1/2" - CONDUCTIVE NYLON** - Stainless steel filled nylon, suitable for most solvents and alcohols. Grounding lugs provided with pump. Please consult chemical compatibility tables or [www.all-flo.com](http://www.all-flo.com) for your particular application.

PART NUMBER	DIAPHRAGM MATERIAL	VALVE/BALL MATERIAL	VALVE SEAT MATERIAL	O-RING MATERIAL	FASTENER MATERIAL	WEIGHT LBS (KG)	MAX TEMPERATURE °F (°C)	DIMENSIONAL DIAGRAM	CONNECT TYPE
CN-05	Geolast®	Nitrile	SS	Nitrile	SS	12 (5.4)	150 (66)	Pg. 74	NPT (BSP)
CB-05	Geolast®	Geolast®	SS	Nitrile	SS	12 (5.4)	150 (66)	Pg. 74	NPT (BSP)
CT-05	PTFE	PTFE	SS	PTFE	SS	12 (5.4)	150 (66)	Pg. 74	NPT (BSP)
CV-05	Viton®	Viton®	SS	Viton®	SS	12 (5.4)	150 (66)	Pg. 74	NPT (BSP)

**AVAILABLE OPTIONS** - Each pump can be configured to suit a particular application. Please see the options section for detailed product information on the following available options.

AIR VALVE OPTIONS		SEE PAGE 67
CYCLE COUNT VALVE	SOLENOID ADAPTOR VALVE	
BALL VALVE OPTIONS		SEE PAGE 67
GEOLAST®	PTFE	
SANTOPRENE®	STAINLESS STEEL	
BALL VALVE OPTIONS		SEE PAGE 67
HARD COAT ANODIZING PASSIVATED & ELECTROPOLISHED		
HARDWARE OPTIONS		SEE PAGE 67
PTFE COATED HARDWARE		
O-RINGS		SEE PAGE 67
PTFE O-RINGS	NITRILE O-RINGS	
EPDM O-RINGS	VITON O-RINGS	
PORTING OPTIONS		SEE PAGE 68
DUAL DISCHARGE / SUCTION	ALL PORTS OPEN	
DISCHARGE UP, AIR INLET / EXHAUST		
SUCTION / DOWN, AIR INLET/EXHAUST		
SUCTION / DISCHARGE LEFT		
SUCTION RIGHT & DISCHARGE LEFT		
SUCTION LEFT & DISCHARGE RIGHT		
VALVE SEAT OPTIONS		SEE PAGE 68
POLYPROPYLENE	PVDF	
STAINLESS STEEL		
MAX PASS VALVE SOLIDS HANDLING OPTIONS		SEE PAGE 68
NITRILE	EPDM	FDA VITON®

**AVAILABLE ACCESSORIES** - Please see the accessories section for detailed product information on the following available accessories.

AIR	SEE PAGE
FILTER / REGULATOR / GAUGE	60
SOLENOID VALVES	60
AIR FLOW CONTROL VALVES	60
NEEDLE VALVE	60
LIQUID	
SUCTION STRAINER	61
FILTER HOUSING	61
PUMP	
PREMIUM MUFFLER	63
GROUNDING LUG	64
METAL MUFFLER	63



**METALLIC**  
All of our 1/2" metallic pumps have a non-metallic center section. This design concept ensures maximum chemical compatibility while protecting from environmental corrosion.



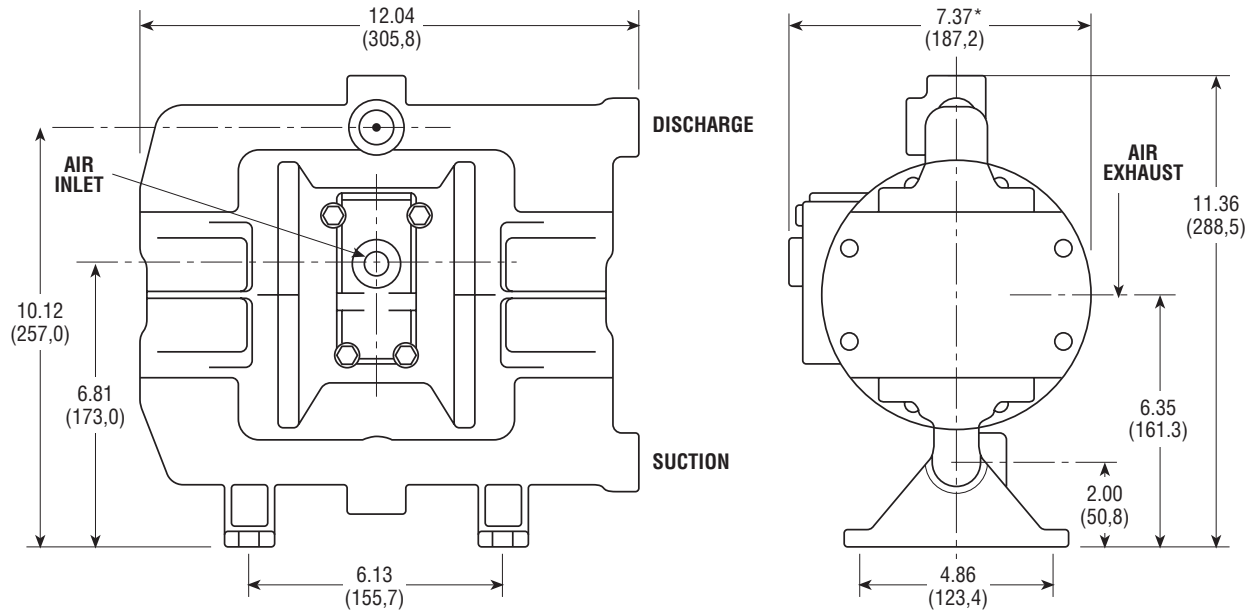
**CONDUCTIVE NYLON**  
Our conductive nylon pumps achieve desired chemical compatibility while providing grounding capability for safe operation.



**NON-METALLIC**  
Our non-metallic pumps are available in a variety of materials and porting options, allowing for maximum application installation.

**1/2" BOLTED STYLE HEAVY DUTY PUMP (PLASTIC)**

Dimensions in inches and (mm). For detailed dimensional drawings, please visit [www.all-flo.com](http://www.all-flo.com)



**1/2" BOLTED STYLE HEAVY DUTY PUMP (METALLIC)**

Dimensions in inches and (mm). For detailed dimensional drawings, please visit [www.all-flo.com](http://www.all-flo.com)

