

# 3/8" INTERMITTENT DUTY CLAMP STYLE SOLIDS HANDLING PUMP



## 3/8" INTERMITTENT DUTY CLAMP STYLE PUMP

Reliable polypropylene air center section combined with non-metallic clamped casing and elastomer materials ensure maximum chemical compatibility. Our patented "Max-Pass™" valve system allows operation under a variety of conditions, ranging from clean fluids to slurries, to solids applications.

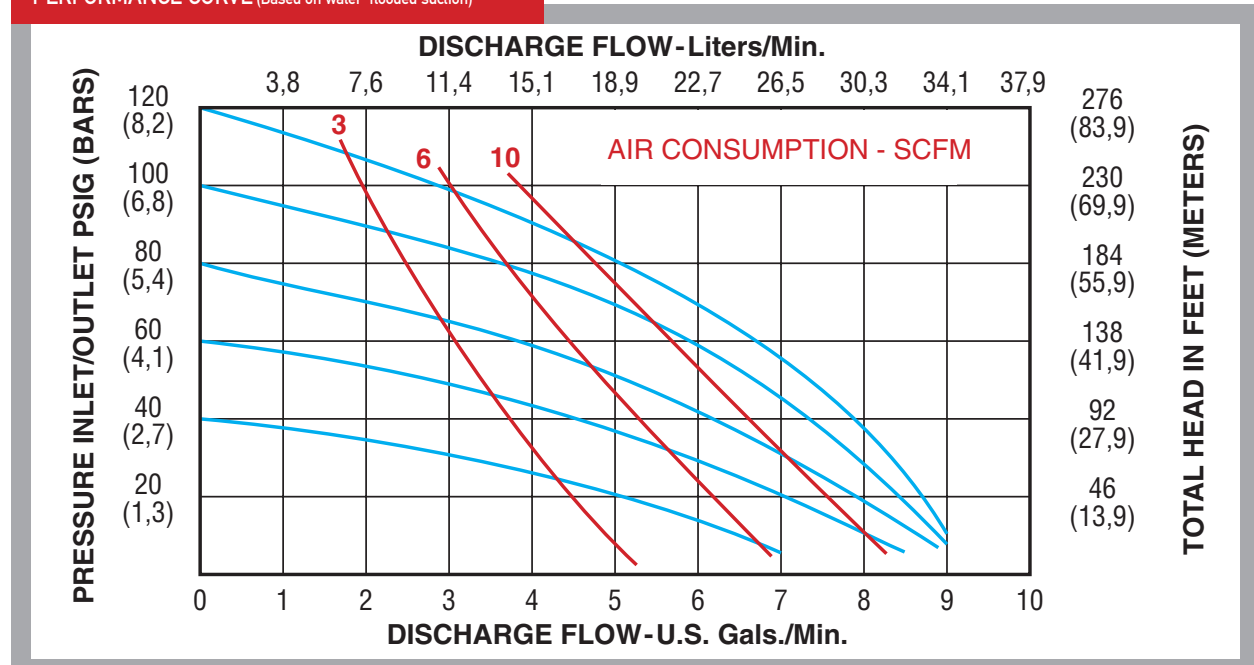
- Suitable for Clean Fluids, Slurries or up to 1/4" Solids
- Mount in any Position
- High Suction Lift
- Muffler Included

## SPECIFICATIONS

Dimension	
Physical Dimensions	See Drawing Page 73
Air Inlet	1/4"
Liquid Inlet	3/8"
Liquid Outlet	3/8"
Weight	See Product Tables
Performance	
Maximum Flow	9 gpm (34.0 lpm)
Maximum Air Pressure	120 psi (8.2 bar)
Maximum Solids	1/4" (6.4 mm)
Max Suction Lift Dry	17 ft (5.2 m)
Max Suction Lift Wet	26 ft (7.9 m)
Max Temperature	See Product Tables
Noise Level (with muffler)	86 dBA



PERFORMANCE CURVE (Based on water-flooded suction)



3/8"

**3/8" - POLYPROPYLENE** - A non-metallic material, suitable for water, caustics, soap solutions, mild acids and general purpose applications. Please consult chemical compatibility tables or [www.all-flo.com](http://www.all-flo.com) for your particular application.

PART NUMBER	DIAPHRAGM MATERIAL	VALVE/BALL MATERIAL	VALVE SEAT MATERIAL	O-RING MATERIAL	FASTENER MATERIAL	WEIGHT LBS (KG)	MAX TEMPERATURE °F (°C)	DIMENSIONAL DIAGRAM	CONNECT TYPE
PB-038	Geolast®	Nitrile Max-Pass™	N/A	Nitrile	SS	3.8 (1.7)	150 (66)	Pg. 73	NPT (BSP)
PV-038	PTFE	Viton® Max-Pass™	N/A	Viton®	SS	3.8 (1.7)	150 (66)	Pg. 73	NPT (BSP)
PE-038	Santoprene®	EPDM Max-Pass™	N/A	EPDM	SS	3.8 (1.7)	150 (66)	Pg. 73	NPT (BSP)

**3/8" - PVDF** - Polyvinylidene Fluoride suitable in applications requiring the highest purity, strength, and resistance to solvents, acids, and bases. Please consult chemical compatibility tables or [www.all-flo.com](http://www.all-flo.com) for your particular application.

PART NUMBER	DIAPHRAGM MATERIAL	VALVE/BALL MATERIAL	VALVE SEAT MATERIAL	O-RING MATERIAL	FASTENER MATERIAL	WEIGHT LBS (KG)	MAX TEMPERATURE °F (°C)	DIMENSIONAL DIAGRAM	CONNECT TYPE
KV-038	PTFE	Viton® Max-Pass™	N/A	Viton®	SS	5 (2.3)	200 (93)	Pg. 73	NPT (BSP)
KE-038	Santoprene®	EPDM Max-Pass™	N/A	EPDM	SS	5 (2.3)	200 (93)	Pg. 73	NPT (BSP)

**3/8" - CONDUCTIVE NYLON** - Stainless steel filled nylon, suitable for most solvents and alcohols. Grounding lugs provided with pump. Please consult chemical compatibility tables or [www.all-flo.com](http://www.all-flo.com) for your particular application.

PART NUMBER	DIAPHRAGM MATERIAL	VALVE/BALL MATERIAL	VALVE SEAT MATERIAL	O-RING MATERIAL	FASTENER MATERIAL	WEIGHT LBS (KG)	MAX TEMPERATURE °F (°C)	DIMENSIONAL DIAGRAM	CONNECT TYPE
CB-038	Geolast®	Nitrile Max-Pass™	N/A	Nitrile	SS	5 (2.3)	150 (66)	Pg. 73	NPT (BSP)
CV-038	PTFE	Viton® Max-Pass™	N/A	Viton®	SS	5 (2.3)	150 (66)	Pg. 73	NPT (BSP)

**AVAILABLE OPTIONS** - Each pump can be configured to suit a particular application. Please see the options section for detailed product information on the following available options.

AIR VALVE OPTIONS	SEE PAGE 67
CYCLE COUNT VALVE	SOLENOID ADAPTOR VALVE
BALL VALVE OPTIONS	SEE PAGE 67
GEOLAST®	PTFE
SANTOPRENE®	STAINLESS STEEL
HARDWARE OPTIONS	SEE PAGE 67
PTFE COATED HARDWARE	
O-RINGS	SEE PAGE 67
PTFE O-RINGS	NITRILE O-RINGS
EPDM O-RINGS	VITON® O-RINGS
PORTING OPTIONS	SEE PAGE 68
DUAL DISCHARGE / SUCTION	ALL PORTS OPEN
DISCHARGE AIR INLET / EXHAUST	
SUCTION / DOWN	
SUCTION & DISCHARGE LEFT	
SUCTION RIGHT & DISCHARGE LEFT	
SUCTION LEFT & DISCHARGE RIGHT	
MAX-PASS™ VALVE SOLIDS HANDLING OPTIONS	SEE PAGE 68
NITRILE	EPDM VITON®

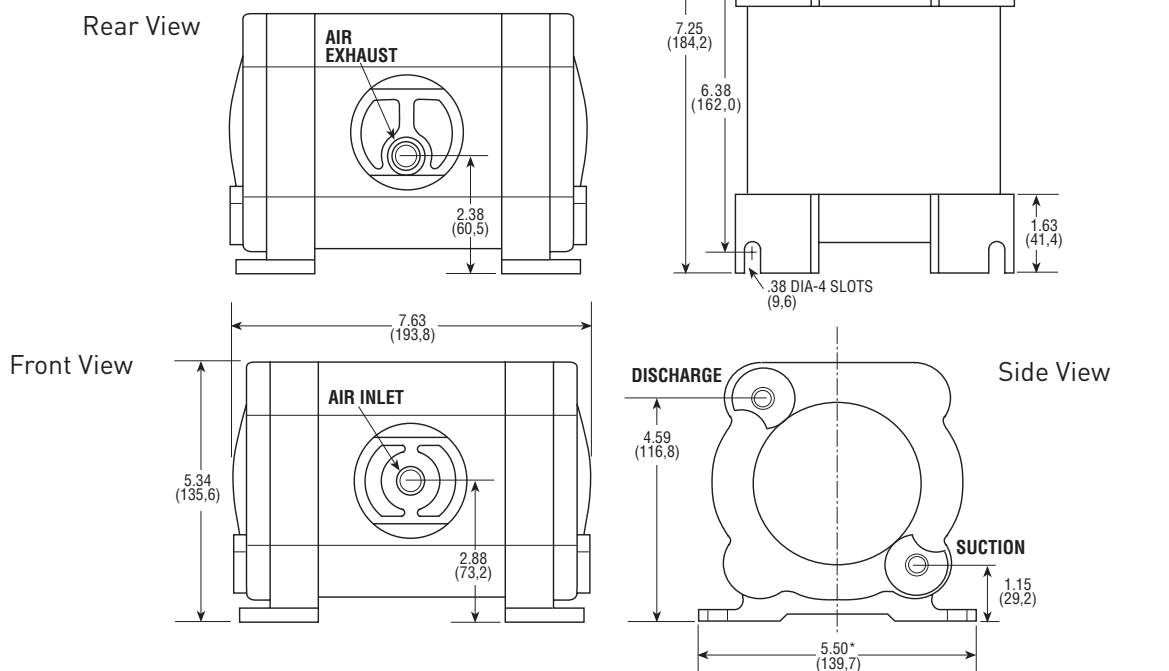
**AVAILABLE ACCESSORIES** - Please see the accessories section for detailed product information on the following available accessories.

AIR	SEE PAGE
FILTER / REGULATOR / GAUGE	60
SOLENOID VALVES	60
AIR FLOW CONTROL VALVES	60
NEEDLE VALVE	60
PUMP	
PREMIUM MUFFLER	63
GROUNDING LUG	64
METAL MUFFLER	63
DRUM PUMP	64

### 1/4" BOX STYLE INTERMITTENT DUTY PUMP

Dimensions in inches and (mm).

For detailed dimensional drawings, please visit [www.all-flo.com](http://www.all-flo.com)



### 3/8" CLAMP STYLE INTERMITTENT DUTY PUMP

Dimensions in inches and (mm).

For detailed dimensional drawings, please visit [www.all-flo.com](http://www.all-flo.com)

