

# 3/8" INTERMITTENT DUTY CLAMP STYLE DRUM PUMP



## 3/8" INTERMITTENT DUTY CLAMP STYLE DRUM PUMP

Reliable polypropylene air center section combined with non-metallic clamped casing materials ensure maximum chemical compatibility. Our patented "Max-Pass™" valve system allows operation under a variety of conditions, ranging from clean fluids to slurries, to solids applications. Ideal for low volume clean fluids transfer applications.

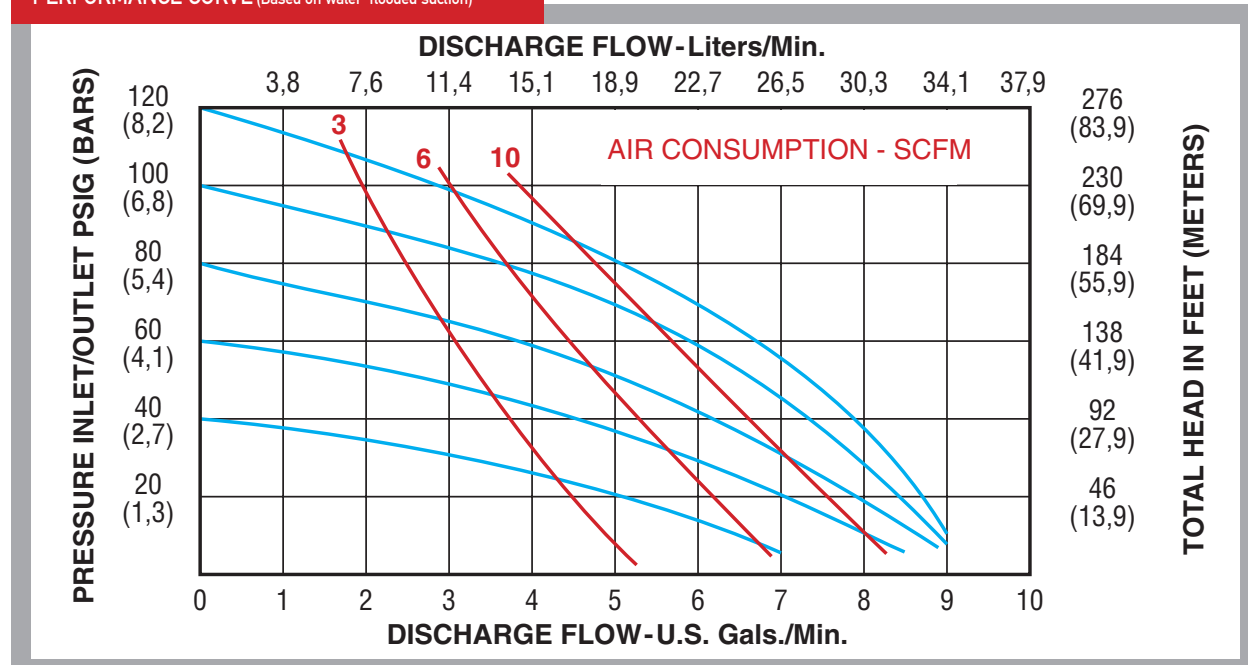
- Suitable for Clean Fluids, Slurries or up to 1/4" Solids (1/16" with PTFE)
- Includes 40" Suction Tube and Bung Adaptor
- Suitable for Clean Fluids, Slurries or Solids Applications
- Muffler Included

## SPECIFICATIONS

Dimension	
Physical Dimensions	See Drawing Page 73
Air Inlet	1/4"
Liquid Inlet	3/8"
Liquid Outlet	3/8"
Weight	See Product Tables
Performance	
Maximum Flow	9 gpm (34.0 lpm)
Maximum Air Pressure	120 psi (8.2 bar)
Maximum Solids	1/4" (6.4 mm)
Max Suction Lift Dry	17 ft (5.2 m)
Max Suction Lift Wet	26 ft (7.9 m)
Max Suction Lift Dry with PTFE	10 ft (3 m)
Max Temperature	See Product Tables
Noise Level (with muffler)	86 dBA



PERFORMANCE CURVE (Based on water-flooded suction)



3/8"

**3/8" - POLYPROPYLENE** - A non-metallic material, suitable for water, caustics, soap solutions, mild acids and general purpose applications. Please consult chemical compatibility tables or [www.all-flo.com](http://www.all-flo.com) for your particular application.

PART NUMBER	DIAPHRAGM MATERIAL	VALVE/BALL MATERIAL	VALVE SEAT MATERIAL	O-RING MATERIAL	FASTENER MATERIAL	WEIGHT LBS (KG)	MAX TEMPERATURE °F (°C)	DIMENSIONAL DIAGRAM	CONNECT TYPE
PBD-038	Geolast®	Nitrile Max-Pass™	N/A	Nitrile	SS	11 (5.0)	150 (66)	Pg. 73	NPT (BST)
PED-038	PTFE	Viton® Max-Pass™	N/A	Viton®	SS	11 (5.0)	150 (66)	Pg. 73	NPT (BST)
PVD-038	Santoprene®	EPDM Max-Pass™	N/A	EPDM	SS	11 (5.0)	150 (66)	Pg. 73	NPT (BST)
PTD-038	PTFE	PTFE Ball	PVDF	PTFE	SS	11 (5.0)	150 (66)	Pg. 73	NPT (BST)

**3/8" - PVDF** - Polyvinylidene Fluoride suitable in applications requiring the highest purity, strength, and resistance to solvents, acids, and bases. Please consult chemical compatibility tables or [www.all-flo.com](http://www.all-flo.com) for your particular application.

PART NUMBER	DIAPHRAGM MATERIAL	VALVE/BALL MATERIAL	VALVE SEAT MATERIAL	O-RING MATERIAL	FASTENER MATERIAL	WEIGHT LBS (KG)	MAX TEMPERATURE °F (°C)	DIMENSIONAL DIAGRAM	CONNECT TYPE
KVD-038	PTFE	Viton® Max-Pass™	PVDF	Viton®	SS	12 (5.4)	200 (93)	Pg. 73	NPT (BST)
KED-038	Santoprene®	EPDM Max-Pass™	N/A	EPDM	SS	12 (5.4)	200 (93)	Pg. 73	NPT (BST)
KTD-038	PTFE	PTFE Ball	PVDF	PTFE	SS	12 (5.4)	200 (93)	Pg. 73	NPT (BST)

**3/8" - CONDUCTIVE NYLON** - Stainless steel filled nylon, suitable for most solvents and alcohols. Grounding lugs provided with pump. Please consult chemical compatibility tables or [www.all-flo.com](http://www.all-flo.com) for your particular application.

PART NUMBER	DIAPHRAGM MATERIAL	VALVE/BALL MATERIAL	VALVE SEAT MATERIAL	O-RING MATERIAL	FASTENER MATERIAL	WEIGHT LBS (KG)	MAX TEMPERATURE °F (°C)	DIMENSIONAL DIAGRAM	CONNECT TYPE
CBD-038	Geolast®	Nitrile Max-Pass™	N/A	Nitrile	SS	12 (5.4)	150 (66)	Pg. 73	NPT (BST)
CVD-038	PTFE	Viton® Max-Pass™	N/A	Viton®	SS	12 (5.4)	150 (66)	Pg. 73	NPT (BST)
CTD-038	PTFE	PTFE Ball	SS	PTFE	SS	12 (5.4)	150 (66)	Pg. 73	NPT (BST)

**AVAILABLE OPTIONS** - Each pump can be configured to suit a particular application. Please see the options section for detailed product information on the following available options.

AIR VALVE OPTIONS		SEE PAGE 67
CYCLE COUNT VALVE	SOLENOID ADAPTOR VALVE	
BALL VALVE OPTIONS		SEE PAGE 67
GEOLAST®	PTFE	
SANTOPRENE®	STAINLESS STEEL	
HARDWARE OPTIONS		SEE PAGE 67
PTFE COATED HARDWARE		
O-RINGS		SEE PAGE 67
PTFE O-RINGS	NITRILE O-RINGS	
EPDM O-RINGS	VITON O-RINGS	
PORTING OPTIONS		SEE PAGE 68
DUAL DISCHARGE / SUCTION	ALL PORTS OPEN	
DISCHARGE AIR INLET / EXHAUST		
SUCTION / DOWN, AIR INLET / EXHAUST		
SUCTION & DISCHARGE LEFT		
SUCTION RIGHT & DISCHARGE LEFT		
SUCTION LEFT & DISCHARGE RIGHT		
VALVE SEAT OPTIONS		SEE PAGE 68
POLYPROPYLENE	PVDF	
STAINLESS STEEL		
MAX PASS VALVE SOLIDS HANDLING OPTIONS		SEE PAGE 68
NITRILE	EPDM	VITON®

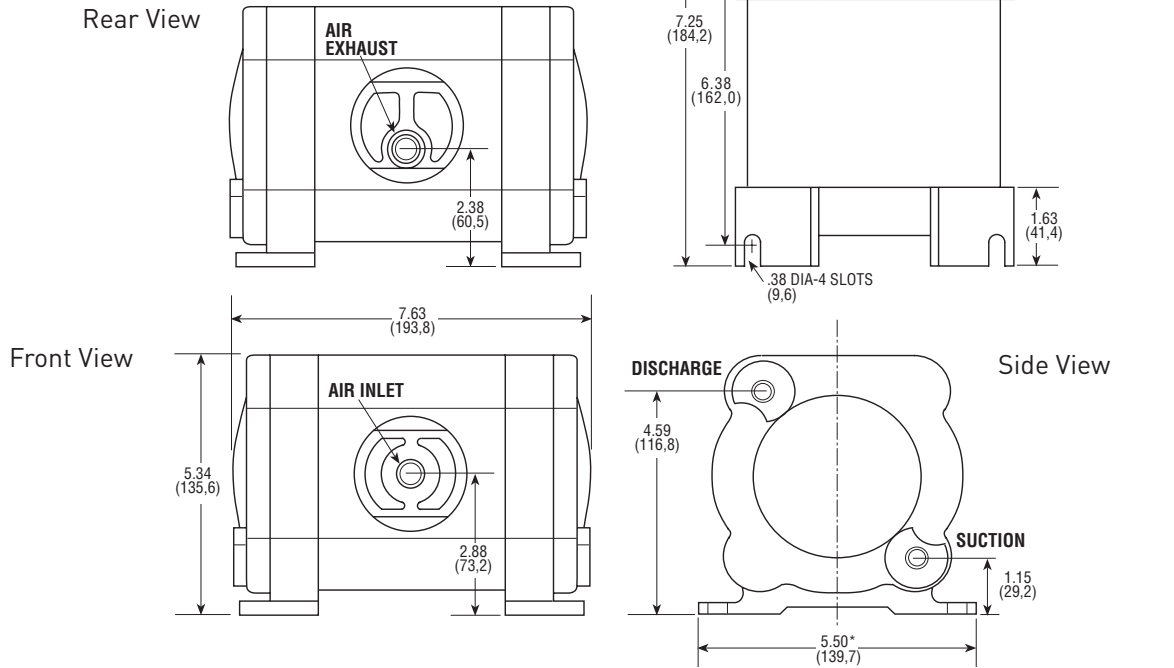
**AVAILABLE ACCESSORIES** - Please see the accessories section for detailed product information on the following available accessories.

AIR	SEE PAGE
FILTER / REGULATOR / GAUGE	60
SOLENOID VALVES	60
AIR FLOW CONTROL VALVES	60
NEEDLE VALVE	60
PUMP	
PREMIUM MUFFLER	63
GROUNDING LUG	64
METAL MUFFLER	63
DRUM PUMP	64

### 1/4" BOX STYLE INTERMITTENT DUTY PUMP

Dimensions in inches and (mm).

For detailed dimensional drawings, please visit [www.all-flo.com](http://www.all-flo.com)



### 3/8" CLAMP STYLE INTERMITTENT DUTY PUMP

Dimensions in inches and (mm).

For detailed dimensional drawings, please visit [www.all-flo.com](http://www.all-flo.com)

