

1/4" INTERMITTENT DUTY BOX STYLE PUMP



1/4" INTERMITTENT DUTY BOX STYLE PUMP

Reliable polypropylene air section combined with a wide array of casing materials and elastomers ensure maximum chemical compatibility. Ideal for low volume clean fluids transfer applications.

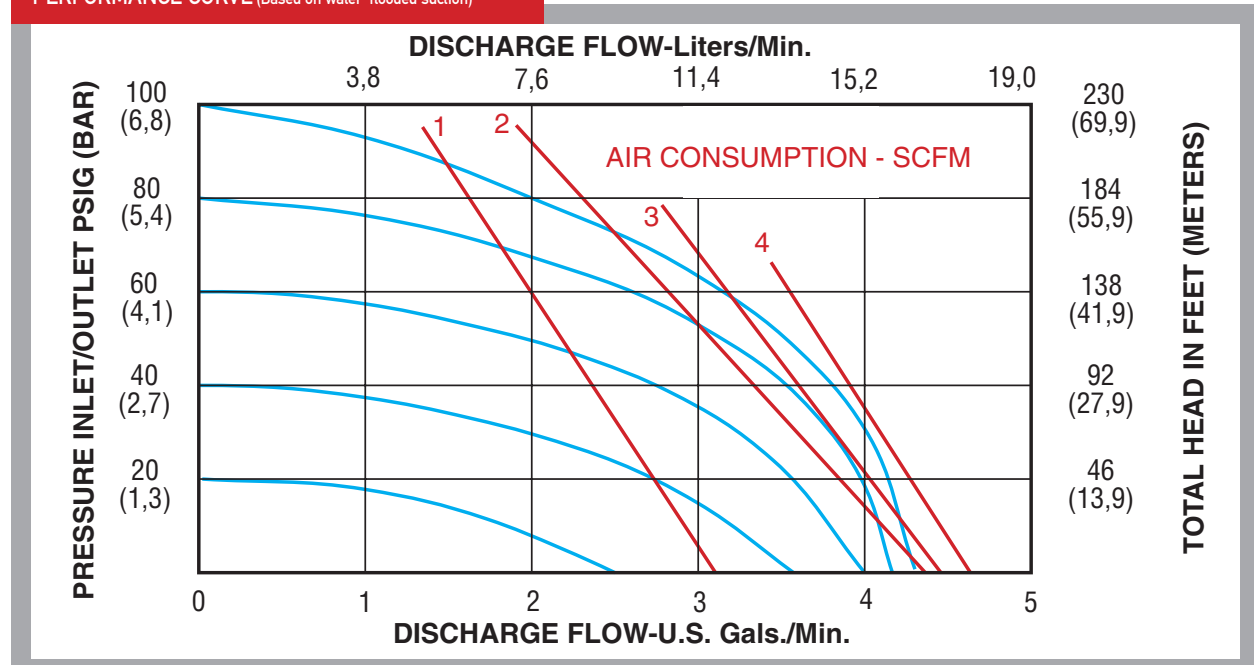
- Suitable for Clean Fluids Transfer
- Compact Box Style Design
- Intermittent Duty Non-Metallic Air Section
- Muffler Included

SPECIFICATIONS

| Dimension | |
|----------------------------|---------------------|
| Physical Dimensions | See Drawing Page 73 |
| Air Inlet | 1/4" |
| Liquid Inlet | 1/4" |
| Liquid Outlet | 1/4" |
| Weight | See Product Tables |
| Performance | |
| Maximum Flow | 4.3 gpm (16.3 lpm) |
| Maximum Air Pressure | 100 psi (6.8 bar) |
| Maximum Solids | 1/16" (1.6 mm) |
| Max Suction Lift Dry | 17 ft (5.0 m) |
| Max Suction Lift Wet | 26 ft (7.9 m) |
| Max Temperature | See Product Tables |
| Noise Level (with muffler) | 86 dBA |



PERFORMANCE CURVE (Based on water-flooded suction)



1/4" - POLYPROPYLENE - A non-metallic material, suitable for water, caustics, soap solutions, mild acids and general purpose applications. Please consult chemical compatibility tables or www.all-flo.com for your particular application.

| PART NUMBER | DIAPHRAGM MATERIAL | VALVE/BALL MATERIAL | VALVE SEAT MATERIAL | O-RING MATERIAL | FASTENER MATERIAL | WEIGHT LBS (KG) | MAX TEMPERATURE °F (°C) | DIMENSIONAL DIAGRAM | CONNECT TYPE |
|-------------|--------------------|---------------------|---------------------|-----------------|-------------------|-----------------|-------------------------|---------------------|--------------|
| NC-025 | Geolast® | PTFE | Polypropylene | Nitrile | SS | 5 (2.3) | 150 (66) | Pg. 73 | NPT (BSP) |
| BK-025 | PTFE | PTFE | Polypropylene | PTFE | SS | 5 (2.3) | 150 (66) | Pg. 73 | NPT (BSP) |
| NC-025E | Santoprene® | PTFE | Polypropylene | EPDM | SS | 5 (2.3) | 150 (66) | Pg. 73 | NPT (BSP) |

1/4" - PVDF - Polyvinylidene Fluoride suitable in applications requiring the highest purity, strength, and resistance to solvents, acids, and bases. Please consult chemical compatibility tables or www.all-flo.com for your particular application.

| PART NUMBER | DIAPHRAGM MATERIAL | VALVE/BALL MATERIAL | VALVE SEAT MATERIAL | O-RING MATERIAL | FASTENER MATERIAL | WEIGHT LBS (KG) | MAX TEMPERATURE °F (°C) | DIMENSIONAL DIAGRAM | CONNECT TYPE |
|-------------|--------------------|---------------------|---------------------|-----------------|-------------------|-----------------|-------------------------|---------------------|--------------|
| KN-025 | PTFE | PTFE | PVDF | PTFE | SS | 7 (3.2) | 200 (93) | Pg. 73 | NPT (BSP) |
| KN-025E | Santoprene® | PTFE | PVDF | EPDM | SS | 7 (3.2) | 200 (93) | Pg. 73 | NPT (BSP) |

1/4" - NYLON - A non-metallic material, suitable for most solvents and oils. Please consult chemical compatibility tables or www.all-flo.com for your particular application.

| PART NUMBER | DIAPHRAGM MATERIAL | VALVE/BALL MATERIAL | VALVE SEAT MATERIAL | O-RING MATERIAL | FASTENER MATERIAL | WEIGHT LBS (KG) | MAX TEMPERATURE °F (°C) | DIMENSIONAL DIAGRAM | CONNECT TYPE |
|-------------|--------------------|---------------------|---------------------|-----------------|-------------------|-----------------|-------------------------|---------------------|--------------|
| RD-025B | Geolast® | PTFE | Nylon | Nitrile | SS | 5 (2.3) | 150 (66) | Pg. 73 | NPT (BSP) |
| RD-025 | PTFE | PTFE | Nylon | PTFE | SS | 5 (2.3) | 150 (66) | Pg. 73 | NPT (BSP) |

1/4" - CONDUCTIVE NYLON - Stainless steel filled nylon, suitable for most solvents and alcohols. Grounding lugs provided with pump. Please consult chemical compatibility tables or www.all-flo.com for your particular application.

| PART NUMBER | DIAPHRAGM MATERIAL | VALVE/BALL MATERIAL | VALVE SEAT MATERIAL | O-RING MATERIAL | FASTENER MATERIAL | WEIGHT LBS (KG) | MAX TEMPERATURE °F (°C) | DIMENSIONAL DIAGRAM | CONNECT TYPE |
|-------------|--------------------|---------------------|---------------------|-----------------|-------------------|-----------------|-------------------------|---------------------|--------------|
| CN-025B | Geolast® | PTFE | Nylon | Geolast® | SS | 7 (3.2) | 150 (66) | Pg. 73 | NPT (BSP) |
| CN-025 | PTFE | PTFE | Nylon | PTFE | SS | 7 (3.2) | 150 (66) | Pg. 73 | NPT (BSP) |

AVAILABLE OPTIONS - Each pump can be configured to suit a particular application. Please see the options section for detailed product information on the following available options.

| | |
|-------------------------------|-----------------|
| AIR VALVE OPTIONS | SEE PAGE |
| CYCLE COUNT VALVE | 67 |
| HARDWARE OPTIONS | |
| PTFE COATED HARDWARE | 67 |
| O-RINGS | |
| PTFE O-RINGS | 67 |
| NITRILE O-RINGS | 67 |
| EPDM O-RINGS | 67 |
| VITON® O-RINGS | 67 |
| PORTING OPTIONS | |
| DUAL SUCTION | 68 |
| DUAL DISCHARGE / DUAL SUCTION | 68 |
| DUAL DISCHARGE | 68 |

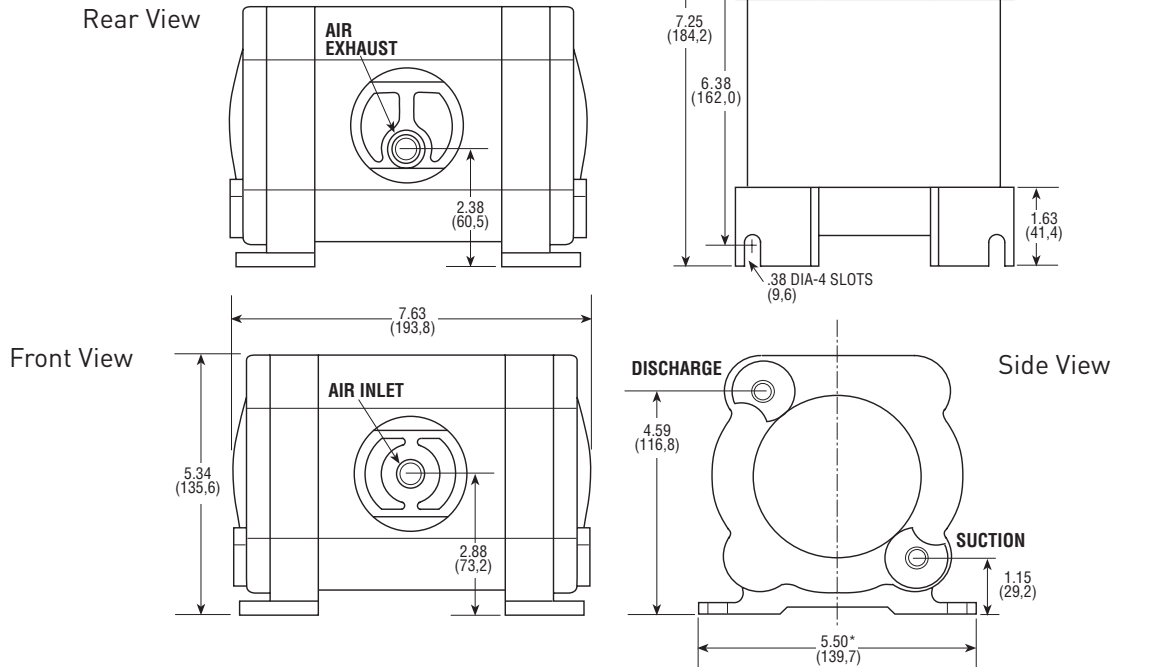
AVAILABLE ACCESSORIES - Please see the accessories section for detailed product information on the following available accessories.

| | |
|----------------------------|-----------------|
| AIR | SEE PAGE |
| FILTER / REGULATOR / GAUGE | 60 |
| SOLENOID VALVES | 60 |
| AIR FLOW CONTROL | 60 |
| NEEDLE VALVE | 60 |
| PUMP | |
| PREMIUM MUFFLER | 63 |
| GROUNDING LUG | 64 |

1/4" BOX STYLE INTERMITTENT DUTY PUMP

Dimensions in inches and (mm).

For detailed dimensional drawings, please visit www.all-flo.com



3/8" CLAMP STYLE INTERMITTENT DUTY PUMP

Dimensions in inches and (mm).

For detailed dimensional drawings, please visit www.all-flo.com

