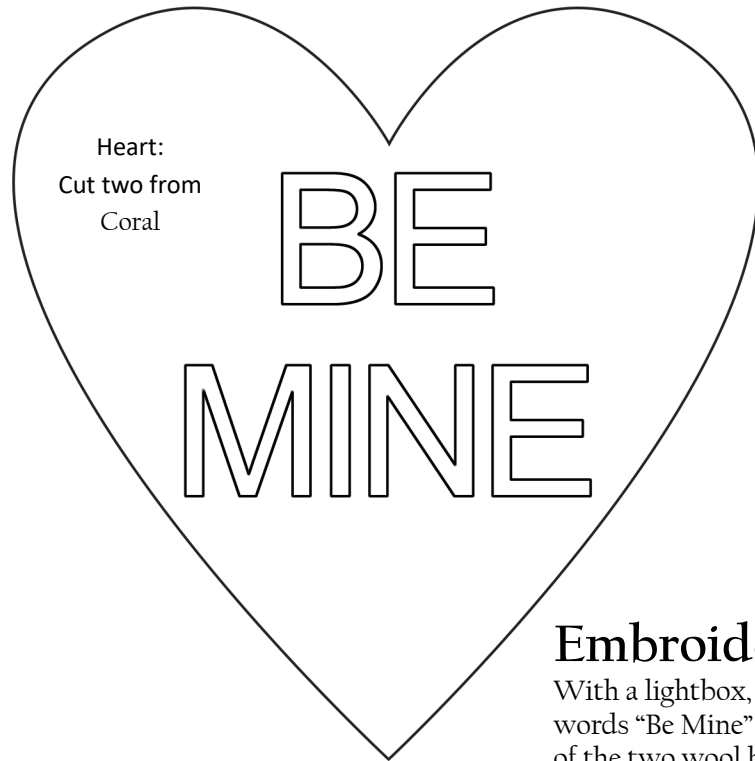


Sweet Heart Pattern:



Sweet Heart Materials:

Pin Lover's Club Pin-Mini (Love Blooms)

Wool Felt Fabric:

Coral — 1¼x 13½" strip (for gusset)

— 4 x 8" piece (for cutting hearts)

Wool Roving

6 strand embroidery floss— aqua

Sewing thread to match coral wool



©2020, Just Another Button Company™ (JABC)
No permission is granted to reproduce these instructions or the associated patterns in any manner, either as printed or digital material. No other use of these instructions or patterns is authorized. Instructions and patterns are for personal use only. Permission for all other uses must be granted individually by Just Another Button Company.

Embroidery:

With a lightbox, trace the words "Be Mine" onto one of the two wool hearts that you cut. Embroider the letters with 6 strands of aqua embroidery floss before you assemble the heart Mini-Pinnie.

Sweet Heart Mini-Pinnie



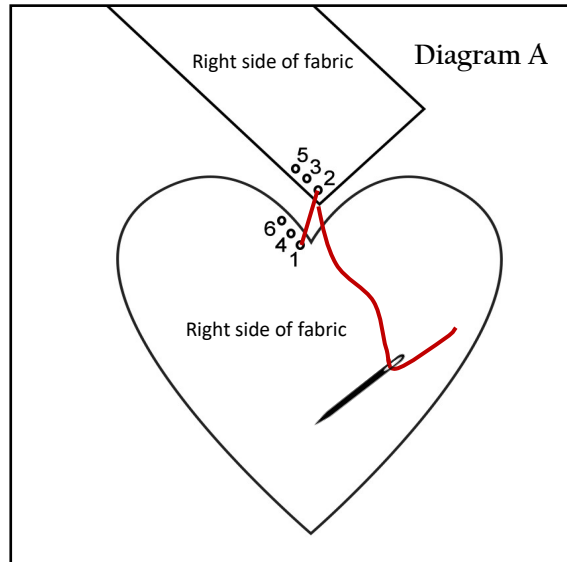
www.JustAnotherButtonCompany.com

info@justanotherbuttoncompany.com

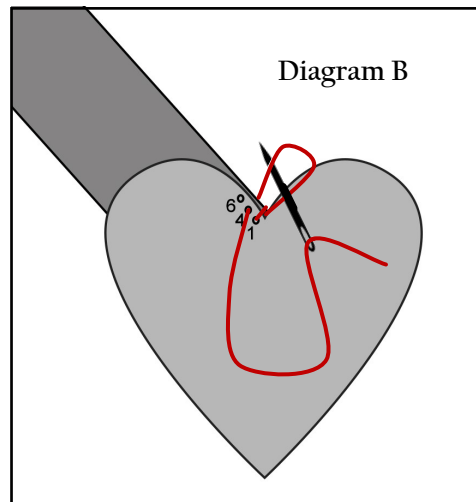
Sweet Heart Instructions:

1. Trace the heart pattern twice onto lightweight paper and loosely cut out.
2. Pin the patterns to the 4 x 8" piece of coral wool felt. Cut on the solid lines.
3. Using a lightbox (or a window), trace the embroidery lines onto ONE of the wool heart shapes. Use your favorite erasable ink tool.
4. Embroider as desired. I used a single row of backstitches in the center of each letter. 6 strands gives the letters a nice, bold look.
5. Remove any ink that's still visible.

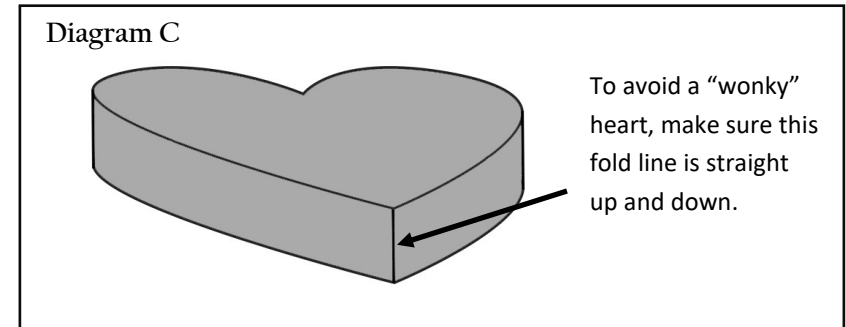
6. Use a knotted, single strand of sewing thread and begin sewing the gusset (1¼" x 13½" strip) to one of the wool hearts using a blanket stitch. Referring to the diagram below, bring your needle up through point 1 on the heart shape. Sew down through point 2 and then pull your thread tail to the right and on top of the heart. (See Diagram A).



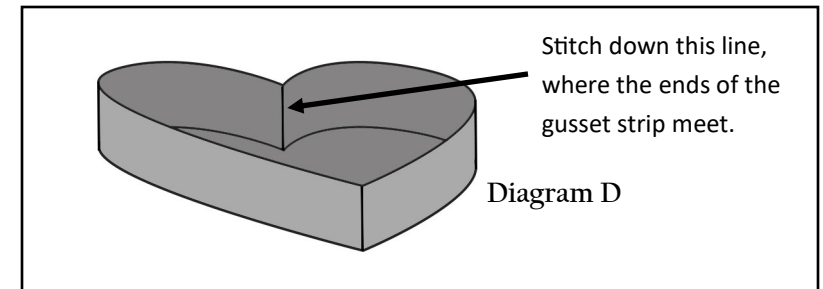
7. Pull tight to bring the gusset flat against the heart, with the wrong sides together. Your thread tail will be in between the layers now. Next sew through both layers from point 3 to point 4. Before pulling that stitch tight, sew through the loop that the stitch created (see diagram B). Then sew through both layers of wool from point 5 to 6 and through the loop above that stitch. Continue around the curve of the heart with the same method, sewing from the gusset to the heart and then through the loop. You may find it helpful to pinch the fabric together between your thumb and finger to match the cut edges as you sew around the curve of the heart.



8. When you reach the bottom point of the heart, be careful to "turn the corner" with a straight fold in your gusset strip.

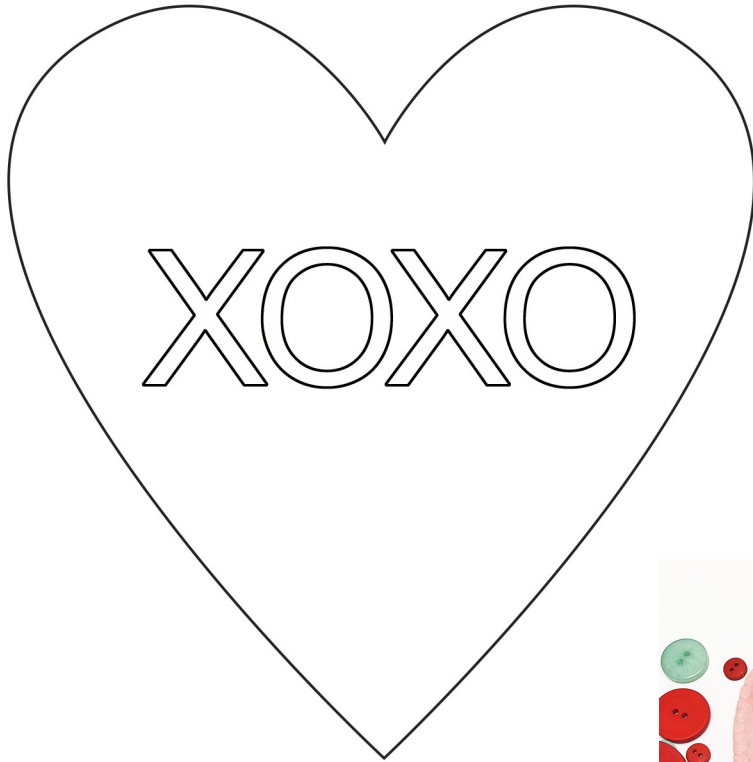


9. Continue blanket stitching around the second curve of the heart until you reach the point where you started. Secure your thread on the wrong side of the wool.
10. Now the ends of the gusset strip should either meet or one end should extend past the other to the inside of the heart. Trim, if necessary, so they meet comfortably and then stitch together with an overcast stitch. This is easiest to do from inside the heart shape.



11. Add the second heart shape to the other edge of the gusset strip in the same technique as the first but when you are finishing the last curve of the heart, stop to add stuffing. Add small bits of roving to fill out the heart but not overstuff it. When the heart looks full but flat on top, finish the last few inches of blanket stitching.
12. Add your Pin Lover's Club pins to the top of the heart and enjoy!

Sweet Heart Variations:



Make a collection of Sweet Heart Mini -Pinnies! Choose your own phrase or here are a couple more of my favorites! Fill a bowl with these tiny handmade “treats” for decoration or share them with friends!

-Rachel

