



FROM THE SOURCE handcrafted  
furniture

## ZIGGY DINING CHAIR

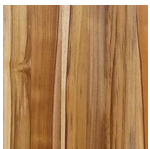
- Ziggy is a chair suitable for commercial use. It features solid wood seat and back; frame is available in powdercoated iron and stainless steel. Frame is made from solid welded iron bar. Plastic glides added for floor protection.
- Indoor grade finishes.
- Also available in bar and counter versions.
- Stackable.
- All wood is sustainably sourced from local plantations. Hand made in Central Java, Indonesia.

WIDTH: 17.5 in  
DEPTH: 21 in  
HEIGHT: 18 / 33 in

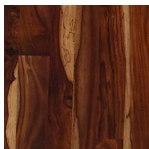


### 2023 Finishes:

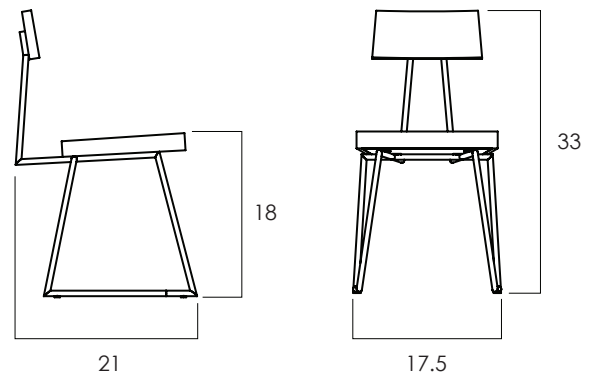
- Teak Natural (TN)
- Tali Natural (LN)
- Clear Iron (RC)
- Stainless Steel (EX)



TN



LN



2023  
sales@ftsny.com  
www.ftsny.com